



AC Motors

Selection and Pricing Guide

Catalog D81.2, US/Canada • 2010 - 2011



Low Voltage NEMA

www.usa.siemens.com/motors

SIEMENS

Table of Contents

Introduction

Wide Selection of Motors	1-1
Energy Independence and Security Act (EISA)	1-2
Warranty and Support	1-3
Cancellation Charges and Change Notices	1-5
Features at a Glance	1-6
General Capabilities for Use with	
Adjustable Speed Drives	1-11
Motor Selection and Ordering	1-12
Special Features Overview	1-17
Website and Tools	1-20

Motor Selection and Pricing

General Purpose Motors

GP100A (Aluminum Frame)	2-1
Aluminum Rotor	2-2
Copper Rotor	2-8
GP100	2-9
Aluminum Rotor	2-10
Copper Rotor	2-17
Special Features	2-21
QuikMOD Program	2-21
Custom Build	2-24

Severe Duty Motors

SD100	2-29
Aluminum Rotor	2-30
Copper Rotor	2-38
SD100 IEEE841	2-43
Aluminum Rotor	2-44
Copper Rotor	2-54
Special Features	2-56
QuikMOD Program	2-56
Custom Build	2-59

Explosion Proof Motors

XP100	2-63
Class I Group C&D	
Class II Group F&G, Division 1	2-64
XP100 ID1	
Class I Group D, Division 1	2-71
Special Features	
QuikMOD Program	2-76
Custom Build	2-78

Definite Purpose Motors

Multi Speed	2-81
SD10 MS	
1 Winding Variable Torque (1800/900 RPM)	2-82

Inverter Duty

RGZESDI	
Constant Torque - 10:1	2-83
RGKESDI/RGZESDI	
Constant Torque - 1000:1	2-87
Vertical Solid Shaft	
RGZVESD	
Normal Thrust	2-91
RGZVILESD	
In-Line Thrust	2-95
Special Features	
QuikMOD Program	2-97
Custom Build	2-100

Special Features Detail

QuiKMOD Options

Overview	3-1
Selection and Pricing	3-6

Custom Build Options

Overview	3-12
Selection and Pricing	3-19

Typical Performance Data

Technical Notes

General Purpose and Severe Duty Motors	4-1
GP100A/ GP100	
Aluminum Rotor	4-2
Copper Rotor	4-4
SD100 / SD100 IEEE841	
Aluminum Rotor	4-5
Copper Rotor	4-7

Explosion Proof Motors

XP100 / XP100 ID1	4-8
-------------------	-----

Definite Purpose Motors

SD10 MS	4-10
RGZESDI	4-11
CT 10:1	
RGKESDI / RGZESDI	4-13
CT 1000:1	
RGZVESD / RGZVILESDI	4-15

Table of Contents

General Dimensions

General Purpose Motors

GP100A	5-1
GP100	5-2

Severe Duty Motors

SD100	5-6
SD100 IEEE841	5-10

Explosion Proof Motors

XP100 / XP100 ID1	5-15
-------------------	------

Definite Purpose Motors

SD10 MS	5-19
RGZESDI	5-23
Totally Enclosed Fan Cooled	5-23
Totally Enclosed Blower Cooled	5-24
Motor with Encoder	5-25
Motor with Dynapar HS35R Encoder	5-26
Motor with Lake Shore 8500 Encoder	5-27
RGZVESD /RGZVEILSD	5-28

V-Belt Sheave Diagram

Conduit Boxes

General Purpose	5-30
GP100A / GP100	
Severe Duty	5-31
SD100 / SD100 IEEE841 / SD10 MS	
Explosion Proof	5-32
XP100 / XP100 ID1	
Definite Purpose	5-33
RGZ Motors	

Part Number Index

NEMA Motors	6-1
-------------	-----

Introduction

Wide selection of motors

Wide selection

Providing value also means having the right motor for the job. At Siemens, we offer hundreds of motor types, sizes, ratings and modifications. And, as you read these words, we are adding to this list as part of our commitment to become your single source for motors.

The right efficiency for your application

To meet your cost of ownership and motor management needs, Siemens offers several levels of energy efficiency in many of its motors:

- High (EPAAct)
- NEMA Premium®
- NEMA Premium® Plus

The world's most energy efficient line of motors

Lower your energy costs today with the world's most energy efficient line of motors. New regulatory standards and rising energy costs create increasing pressure to maximize energy efficiency and reduce your carbon footprint. Siemens breakthrough copper-rotor motors have set new standards for efficiency. Adding copper to the stator windings, Siemens has developed motors that can withstand the heat. Two-thirds of an AC induction motor's electrical loss occurs in the stator. The addition of the copper rotor reduces wasteful, resistive heating. Copper's volumetric electrical conductivity is approximately 66% higher than aluminum.

Total customer support

When you're looking for a motor, look or a highly trained specialist to help you match the right motor to your specific needs. Siemens sales engineers share the knowledge, training and experience to help you solve performance or installation challenges to ensure that you will receive the best value for your investment. Our customer service center takes pride in putting our customers first. Whether it's an expedited shipment, tracking your order, or making sure your motor is properly installed, these professionals won't be satisfied until you are.



Availability

Siemens has hundreds of distributor stocking locations throughout North America with a wide selection of NEMA and IEC frame sizes and ratings. Motors are available same day from a local source you can trust.

Iron-clad quality

The quality of our motors begins with the design experience we have gained through more than 100 years of manufacturing and applying motors. We build on this experience every day with new designs that incorporate the latest materials and techniques to provide even higher levels of performance, operating efficiency and reliability.

These advanced motor designs are manufactured in a state-of-the-art ISO 9001 certified facility. Here, our manufacturing technicians subject each motor to more than 100 separate quality inspections before it leaves our plant. . . and before it is good enough to be offered to you. These distributors are supported by multiple stocking centers and our customer service centers in Little Rockland Cincinnati. Need something special? Our modification centers have complete motor modification capabilities to help you get the exact motor you need, when you need it.

Introduction

Energy Independence and Security Act (EISA)

Effective with motors manufactured after December 19, 2010

Requirements of the law:

Products previously required to meet EPCa efficiencies (NEMA MG1, table 12-11) must meet NEMA Premium® ¹⁾ efficiencies (NEMA MG1, table 12-12)

Certain products not previously covered by EPCa must meet EPCa (NEMA MG1, table 12-11) efficiencies:

Design C	C-face and D-flange w/o feet
U-Frame	Close Coupled Pump (CCP)
8-pole (900 rpm)	Vertical solid shaft normal thrust (P-base)
201-500 HP General Purpose	3-phase motors not more than 600 volts (includes IEC 90 frame and larger)

Siemens NEMA Premium® product portfolio:

Siemens offers a complete line of general purpose (aluminum and cast iron construction), severe duty, IEEE841 and XP motors with NEMA Premium® or higher efficiencies. Industry-leading, **die cast copper rotors** are available, 1-20 HP with GP, SD and IEEE841 motors, offering efficiencies higher than NEMA Premium® requirements.

Always look for products offered with the NEMA Premium® logo.



1) NEMA Premium® is a certification mark of the National Electrical Manufacturers Association.

Introduction

Warranty and support

Siemens Industry, Inc.
Drive Technology
NEMA Motors

Warranty procedure

Standard terms and conditions of sale

Warranty – Company warrants that on the date of shipment to purchaser the goods will be of the kind and quality described herein, merchantable, and free of defects in workmanship and material.

If within one year from date of operation, but not more than eighteen months from date of shipment by Company, of any item of the goods, purchaser discovers that such item was not as warranted above and promptly notifies company in written thereof, Company shall remedy such defect by, at Company's option, adjustment, repair, or replacement of the item and any affected part of the goods. Purchaser shall assume all responsibility and expense for removal, reinstallation and freight in connection with the foregoing remedy. The same obligations and conditions shall extend to replacement items furnished by company here under. Company shall have the right of disposal of items replaced by it. Purchaser shall grant Company to determine any defect in the goods. In the event that adjustment, repair or replacement does not remedy the defect, the Company and Purchaser shall negotiate in good faith an equitable adjustment in the contract price.

Service calls and overtime are not covered under Siemens warranty policy.

The Company's responsibility does not extend to any item of the goods which has not been manufactured and sold by Company. Such item shall be covered only by express warranty, if any, of the manufacture thereof. The Company and its suppliers shall also have no responsibility if the goods have been improperly stored, handled, or installed or if the goods have not been operated or maintained according to their ratings or according to instructions in Company or supplier furnished manuals, or if unauthorized repairs or modifications have been made to the goods.

THIS WARRANTY IS EXPRESSLY IN LIEU OF ALL OTHER WARRANTIES (EXCEPT TITLE), INCLUDING BUT NOT LIMITED TO IMPLIED WARRANTIES OF MERCHANTABILITY AND FITNESS, AND CONSTITUTES THE ONLY WARRANTY OF COMPANY WITH RESPECT TO THE GOODS.

The foregoing states Purchasers exclusive remedy against Company and its suppliers for any defect in the goods or for failure of the goods to be as warranted, whether Purchaser's remedy is based on contract, warranty, failure of such remedy to achieve its essential purpose, tort (including negligence), indemnity or any other legal theory, and whether arising out of warranties, representations, instructions, installations or defects from any cause.

Warranty type	
A. 1 yr std 18 Months GP100, GP100A	Initial operation After shipment
3 years RGZESDI, RGZVESD, RGZVILESD SD10, SD100, XP100, XP100 ID1	After shipment
5 years SD100 IEEE841	After shipment
B. Remedy	Siemens option Repair Replace
C. Purchaser's	Responsibility Transportation damage claims Removal Freight
D. Specifically	Excludes Improper storage In and out costs
E. Shipment	Normal FOB our dock Freight allowed

Introduction

Warranty and support

Reference notes

1. After the inspection, contact Little Rock Plant for authorization of repair or replacement. Unapproved repairs will be denied.
2. Removal, reinstallation, freight and service calls are NOT covered by warranty.
3. A standard EASE Warranty report must be filled out and
a Siemens job/p.o. # issued. The Warranty report and nameplate (if motor scrapped in the field) plus the invoice must be sent to the Little Rock Plant.
4. Premium efficiency motors will modify major repair pricing by increasing schedule 10%.
5. Allowances listed are for open drip-proof and totally enclosed, non-ventilated motors with class B or F insulation and all voltages between 100 and 600 volts. For variations consult factory.
6. Minor repairs – consist of all the operations listed under minor repairs plus the cost of material and rewinding of stator. If no allowance is shown, consult the factory.
7. Major repairs-consist of all the operations listed under major repairs plus the cost of material and rewinding of stator.
If no allowance is shown, consult the factory.
8. Shaded areas represent units that will be replaced when possible, without repairs.
9. Replacement Parts – will be furnished at no Charge from the factory, i.e. bearings for 40 HP and above.
10. Replacement Motors – will be furnished at no Charge from the factory. Should it be necessary for reasons of expediency for the service shop to replace a motor from their stock, a replacement motor will be furnished at no Charge from the factory, shipped Freight allowed.
11. Defective parts, i.e. bearings, are subject to return upon request to the factory for inspection and approval for reimbursement.

Date coding

Siemens motors are date coded by the model number/date code/serial number on the nameplate.

Siemens date codes for NEMA frame size, low voltage motors built in USA and Mexico is as follows:
The first digit is alphabetic and represents the month. The second and third digits are numeric and are the last two digits of the year.

A = January	G = July
B = February	H = August
C = March	J = September
D = April	K = October
E = May	L = November
F = June	M = December

IMPORTANT NOTICE

MAIL INVOICE PLUS PROPER WARRANTY REPAIR REPORT TO THE WARRANTY ADMINISTRATOR. IF SIEMENS IS TO BE BILLED FOR OVERTIME, AUTHORIZATION MUST BE OBTAINED FROM WARRANTY ADMINISTRATOR BEFORE OVERTIME WORK IS PERFORMED. MATERIAL AND SERVICES ARE PURCHASED FOR RESALE AND ARE EXEMPT FROM STATE AND LOCAL SALES AND USE TAX.

Introduction

Cancellation charges and change notices

Cancellation charges

Note: A minimum charge of \$100 will be assessed for any order cancellation for modified or custom motors.

Stock motors

- No charges will be incurred if an order is cancelled prior to shipment.
- A stock motor is returnable (freight paid by purchaser) immediately after shipment if returned in "new" condition (original, undamaged packaging) for a minimum restocking charge of 20% of the motor net price.

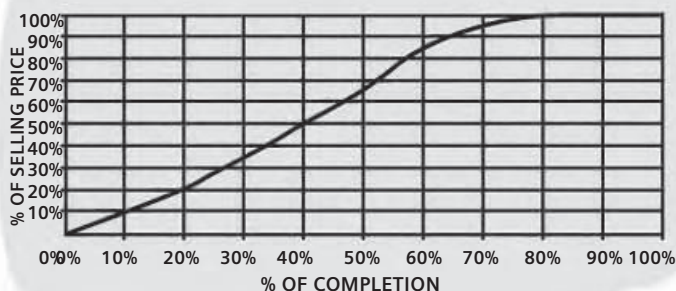
Non-stock motors

- For non-stock motors, the following graph will apply to determine cancellation charges after the order is received and entered at the factory. Completion progress will be determined by a Siemens Customer Service Representative.

- A charge of 15% of the total net motor price will be assessed if an order is cancelled after it has been released for engineering and drafting whether or not the drawings have been completed and/or submitted for approval.

Change notice

All change notices applied to in-process orders logged into the Siemens customer service department and requiring a product change will be subject to a \$100 net charge plus the applicable modification adder. Delivery dates will be adjusted according to the type of change/ modification requested. This policy does not pertain to commercial Changes such as "ship to" or "bill to" addresses.



Introduction

Features at a glance

General purpose



	GP100A		GP100	
HP Range	1 - 20	FS 140 - 250	1 - 200	FS 140 - 440
Frame Size	140 - 250		140 - 440	
Enclosure	TEFC		TEFC	
Frame	Die Cast aluminum	8 hole Bolt-on feet	Cast iron	8 hole feet
Efficiency	NEMA Premium® NEMA Premium®+	FS 140 - 250 FS 140 - 250	NEMA Premium® NEMA Premium® +	FS 140 - 250 FS 140 - 440
Power Supply	3 Phase, 60Hz		3 Phase, 60Hz	
Voltage	208-230/460 V 575V	FS 140 - 250 FS 140 - 250	208-230/460 V 230/460V 460V 575V	FS 140 - 250 FS 280 - 360 100 - 200 HP 1 - 200HP
Service Factor	1.15	Sine Wave	1.15	Sine Wave
Electrical Design	NEMA design B		NEMA design B	
Hazardous Classification	NA		NA	
Insulation	Class F	NEMA MG1 Part 31	Class F	NEMA MG1 Part 31
Temperature Rise	Class B @ 1.0SF, Class F @ 1.15SF	Sine Wave	Class B @ 1.0SF, Class F @ 1.15SF	Sine Wave
Conduit Box (Oversized)	Die Cast aluminum	FS 140 - 250	Die Cast aluminum Steel Cast Iron	FS 140 - 250 FS 280 - 400 FS 440
Fan Cover	Plastic	FS 140 - 250	Plastic	FS 140-250
Cooling Fan	Bi-directional - polypropylene		Bi-directional - polypropylene	
Lead Seal Gasket	O-ring	FS 140 - 250	O-ring Neoprene	FS 140 - 250 FS 280 - 440
Rotor	Die Cast Aluminum Die Cast Copper	FS 140 - 250 FS 140 - 250	Die Cast Aluminum Die Cast Copper	FS 140 - 440 FS 140 - 250
Stator Winding	Copper - Random wound		Copper - Random wound	
Shaft	High strength carbon steel	C1045	High strength carbon steel	C1045
Shaft Seal / Slinger	V-ring slinger Meets IP54	(DE Only)	V-ring slinger Meets IP54	(DE Only)
Bearing Housing	Cast aluminum	FS 140 - 250	Cast iron	FS 140 - 440
Bearing Type	Double Shielded	FS 140 - 250	Double Shielded Regreasable inlet and outlet	(FS 440 Only)
Bearing Inner Cap	No		No	
Lubrication	Polyurea	Base Grease	Polyurea	Base Grease
Lube Inlet Fittings	NA		Alemite	FS440 Only
Lube Relief Fittings	NA		Plug	FS440 Only
Vibration	0.15 IPS		0.15 IPS	
Nameplate	Aluminum	engraved	Aluminum	engraved
Condensation Drain	Drain holes - lowest point (2)		Drain holes - lowest point (2)	
Hardware	Rust resistant		Rust resistant	
Lifting Eyebolt	Cast in		Included	Above 75 Lbs
Paint	ALKYED MODIFIED	RAL7030	ALKYED MODIFIED	RAL7030
Warranty	18 Months		18 Months	
Inverter Duty	VT 20:1 CT 4:1 CT 10:1	FS 140 - 250 FS 140 - 250 FS 140 - 250 (Cu)	VT 20:1 CT 4:1 CT 10:1	FS 140 - 440 FS 140 - 440 FS 140 - 250 (Cu)

NEMA Premium® is a certification mark of the National Electrical Manufacturers Association.

Introduction

Features at a glance

Severe duty



SD100

SD100 IEEE 841

	SD100		SD100 IEEE 841	
HP Range	1 - 400	FS 140 - 250	1 - 400	FS 140 - S440
Frame Size	140 - S449		140 - S449	
Enclosure	TEFC		TEFC	
Frame	Cast Iron	8 Hole feet	Cast iron	8 Hole feet
Efficiency	NEMA Premium® NEMA Premium® +	FS 140 - S440 FS 140 - 250	NEMA Premium® NEMA Premium® +	FS 140 - S440 FS 140 - 250
Power Supply	3 Phase, 60Hz		3 Phase, 60Hz	
Voltage	208-230/460 V 460V 575V	1 - 20 HP 25 - 400 HP 1 - 400 HP	460 V 575V	FS 140 - S440 FS 140 - S440
Service Factor	1.15	Sine Wave	1.15	Sine Wave
Electrical Design	NEMA design B		NEMA design B	
Hazardous Classification	CL I Gr, C&D Div. 2	Optional	CL I Gr, C&D Div. 2	Optional
Insulation	Class F	NEMA MG1 Part 31	Class F	NEMA MG1 Part 31
Temperature Rise	Class B @ 1.0SF, Class F @ 1.15SF	Sine Wave	Class B @ 1.0SF, Class F @ 1.15SF	Sine Wave
Conduit Box (Oversized)	Cast Iron		Cast Iron	
Fan Cover	Cast Iron	FS 140 - S440	Cast Iron	FS 140 - S440
Cooling Fan	Bi-directional - polypropylene - Bronze Counter clockwise	FS 140 - 440 FS S440 300-400HP 2P/4P	Bi-directional - polypropylene - Bronze Counter clockwise	FS 140 - 440 FS S440 300-400HP 2P/4P
Lead Seal Gasket	Neoprene		Neoprene	
Rotor	Die Cast Aluminum Die Cast Copper	FS 140 - S440 FS 140 - 250	Die Cast Aluminum Die Cast Copper	FS 140 - S440 FS 140 - 250
Stator Winding	Copper - Random wound		Copper - Random wound	
Shaft	High strength carbon steel	C1045	High strength carbon steel	C1045
Shaft Seal / Slinger	V-ring slinger Meets IP54	(DE & NDE)	Inpro/Seal® Bearing Isolator Meets IP55	(DE & NDE)
Bearing Housing	Cast iron	FS 140-S440	Cast iron	140-S440
Bearing Type	Double Shielded Single Shielded Regreasable inlet and outlet	FS 140 - 250 FS 280 - S440	Double Shielded Single Shielded Regreasable inlet and outlet	FS 140 - 250 FS 280 - S440
Bearing Inner Cap	Cast Iron		Cast Iron	
Lubrication	Polyurea	Base Grease	Polyurea	Base Grease
Lube Inlet Fittings	Alemite		Alemite	
Lube Relief Fittings	Plug		Pressure relief (Auto)	
Vibration	0.08 IPS		0.06 IPS	
Nameplate	Stainless steel	engraved	Stainless steel	embossed
Condensation Drain	T-drains - lowest point (2)		T-drains - lowest point (2)	
Hardware	Rust resistant		Rust resistant	
Lifting Eyebolt	Included	Above 75 lbs	Included	
Paint	ALKYED MODIFIED	RAL7030	ALKYED MODIFIED	RAL7030
Warranty	36 Months		60 Months	
Inverter Duty	VT 20:1 CT 4:1 CT 10:1	FS 140 - 440 FS 140 - 440 FS 140 - 250 (Cu)	VT 20:1 CT 4:1 CT 10:1	FS 140 - 440 FS 140 - 440 FS 140 - 250 (Cu)

NEMA Premium® is a certification mark of the National Electrical Manufacturers Association.

Introduction

Features at a glance

Explosion proof



XP100

XP100 ID1

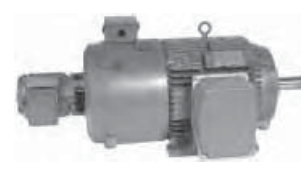
HP Range	1 - 300	FS 140 - 440	1 - 300	FS 140 - 440
Frame Size	140 - 440		140 - 440	
Enclosure	TEFC		TEFC	
Frame	Cast Iron	8 Hole feet	Cast iron	8 Hole feet
Efficiency	NEMA Premium®	FS 140 - 440	NEMA Premium®	FS 140 - 440
Power Supply	3 Phase, 60Hz		3 Phase, 60Hz	
Voltage	208-230/460 V 230/460V 460V 575V	1 - 20 HP 25 - 100 HP 125 - 300 HP 1 - 300 HP	208 - 230/460 V 230/460V 460V 575V	1 - 20 HP FS 280 - 100 HP 125 - 300 HP 1 - 300 HP
Service Factor	1.0	Sine Wave	1.15	Sine Wave
Electrical Design	NEMA design B		NEMA design B	
Hazardous Classification	CL I Gr. C&D, CL II F&G Div 1	Max. Code T3C	CL I Gr. D, Div. 1	Max. Code T2A
Insulation	Class F	NEMA MG1 Part 31	Class F	NEMA MG1 Part 31
Temperature Rise	Class B @ 1.0SF, Class F @ 1.15SF	Sine Wave	Class B @ 1.0SF, Class F @ 1.15SF	Sine Wave
Conduit Box (Oversized)	Cast Iron		Cast Iron	FS 140-440
Fan Cover	Cast Iron	FS 140 - 440	Cast Iron	FS 140 - 440
Cooling Fan	Bi-directional - polypropylene	FS 140 - 440	Bi-directional - polypropylene	FS 140 - 440
Lead Seal Gasket	NA	(Sealed Leads)	NA	(Sealed Leads)
Rotor	Die Cast Aluminum		Die Cast Aluminum	
Stator Winding	Copper - Random wound NC Protective Devices	FS 140 - 440 Included	Copper - Random wound NC Protective Devices	FS 140 - 440 N/A
Shaft	High strength carbon steel	C1045	High strength carbon steel	C1045
Shaft Seal / Slinger	V-ring slinger Meets IP54	(DE & NDE)	V-ring slinger Meets IP54	(DE & NDE)
Bearing Housing	Cast iron	FS 140 - 440	Cast iron	
Bearing Type	Double Shielded Regreasable inlet and outlet	FS 140 - 440	Double Shielded Regreasable inlet and outlet	FS 140 - 440
Bearing Inner Cap	Cast Iron	FS 140 - 440	Cast Iron	FS 140 - 440
Lubrication	Polyurea	Base Grease	Polyurea	Base Grease
Lube Inlet Fittings	Alemite		Alemite	
Lube Relief Fittings	Plug		Pressure relief (Auto)	
Vibration	0.08 IPS		0.08 IPS	
Nameplate	Stainless steel	engraved	Stainless steel	engraved
Condensation Drain	UL approved	FS 280 - 440	UL approved	FS 280 - 440
Hardware	Rust resistant		Rust resistant	
Lifting Eyebolt	Provisions	FS 140- 180	Provisions	FS 140 - 180
Paint	ALKYED MODIFIED	RAL7030	ALKYED MODIFIED	RAL7030
Warranty	36 Months		36 Months	
Inverter Duty	VT 20:1 CT 4:1	FS 140 - 440 FS 140 - 320	VT 20:1 CT 4:1	FS 140 - 440 FS 140 - 440

NEMA Premium® is a certification mark of the National Electrical Manufacturers Association.

Introduction

Features at a glance

Definite purpose



SD10 MS

RGZESDI

HP Range	1 - 250	4/8 poles - 1W VT	1 - 300	FS 140 - S440
Frame Size	140 -440		140 - S440	
Enclosure	TEFC		TEFC	
Frame	Cast Iron	8 Hole feet	Cast iron	8 Hole feet
Efficiency	Standard	FS 140 - 440	NA	
Power Supply	3 Phase, 60Hz		3 Phase, 60Hz	
Voltage	460V 575V	FS 140 - 440 FS 140 - 440	460V 575V	FS 140 - S440 FS 140 - S440
Service Factor	1.0	Sine Wave	NA	
Electrical Design	NA		NA	
Hazardous Classification	CL I Gr. C&D, Div. 2	Optional	CL I Gr. C&D, Div. 2	Optional
Insulation	Class F	NEMA MG1 Part 31	Class F	NEMA MG1 Part 31
Temperature Rise	Class B @ 1.0SF, Class F @ 1.15SF	Sine Wave	VFD	
Conduit Box (Oversized)	Cast Iron	FS 140 - 440	Cast Iron	FS 140-S440
Fan Cover	Cast Iron	FS 140 - 440	Cast Iron	FS 140 - 440
Cooling Fan	Bi-directional - polypropylene	FS 140 - 440	Bi-directional - polypropylene	FS 140 - S440
Lead Seal Gasket	Neoprene		Neoprene	
Rotor	Die Cast Aluminum	FS 140 - 440	Die Cast Aluminum	FS 140 - S440
Stator Winding	Copper - Random wound	FS 140 - 440	Copper - Random wound NC Protective Devices	FS 140-S440 Included
Shaft	High strength carbon steel	C1045	High strength carbon steel	C1045
Shaft Seal / Slinger	V-ring slinger Meets IP54	(DE & NDE)	Shaft Seal (Meets IP54) V-ring slinger Meets IP54)	FS 140 - 250 (DE) FS 280 - 440 (DE)
Bearing Housing	Cast iron	FS 140 - 440	Cast iron	FS 140 - S440
Bearing Type	Double Shielded Single Shielded Regreasable inlet and outlet	FS 140 - 250 FS 280 - S440	Single Shielded Regreasable inlet and outlet	FS 140 - S440
Bearing Inner Cap	Cast Iron	FS 140 - 440	Cast Iron	FS 140 - S440
Lubrication	Polyurea	Base Grease	Polyurea	Base Grease
Lube Inlet Fittings	Alemite		Alemite	
Lube Relief Fittings	Plug		Plug	
Vibration	0.08 IPS		0.08 IPS	
Nameplate	Stainless steel	engraved	Stainless steel	engraved
Condensation Drain	T-drain - lowest point (2)		T-drain	
Hardware	Rust resistant		Rust resistant	
Lifting Eyebolt	Included	Above 75 lbs	Provisions	FS 140 - 180
Paint	ALKYED MODIFIED	RAL7030	ALKYED MODIFIED	RAL7030
Warranty	36 Months		36 Months	
Inverter Duty	NA		CT 10:1 CT 1000:1	FS 140 - S440 FS 140 - S440

Introduction

Features at a glance

Definite purpose



	RGZVESD		RGZVILESD	
HP Range	1 - 250	FA 140 - 440	1 - 250	FS 180 - 440
Frame Size	140 -440		140 - 440	
Enclosure	TEFC		TEFC	
Frame	NA		NA	
Efficiency	EPact	FS 140 - 440	EPact	FS 180 - 440
Power Supply	3 Phase, 60Hz		3 Phase, 60Hz	
Voltage	230/460V 460V 575V	1 - 20 HP 25 - 250 HP 1 - 250 HP	230/460 V 460V 575V	1 - 20 HP 25 - 250 HP 1 - 250 HP
Service Factor	1.15	Sine Wave	1.15	Sine Wave
Electrical Design	NEMA design B		NEMA design B	
Hazardous Classification	CL I Gr. C&D, Div. 2	Optional	CL I Gr. C&D, Div. 2	Optional
Insulation	Class F	NEMA MG1 Part 31	Class F	NEMA MG1 Part 31
Temperature Rise	Class B @ 1.0SF, Class F @ 1.15SF	Sine Wave	Class B @ 1.0SF, Class F @ 1.15SF	Sine Wave
Conduit Box (Oversized)	Cast Iron	FS 140 - 440	Cast Iron	FS 180 - 440
Fan Cover	Cast Iron	FS 140 - 440	Cast Iron	FS 180 - 440
Cooling Fan	Bi-directional - polypropylene	FS 140 - 440	Bi-directional - polypropylene	FS 180 - 440
Lead Seal Gasket	Neoprene		Neoprene	
Rotor	Die Cast Aluminum	FS 140 - 440	Die Cast Aluminum	FS 180 - 440
Stator Winding	Copper - Random wound	FS 140 - 440	Copper - Random wound	FS 180 - 440
Shaft	High strength carbon steel	C1045	High strength carbon steel	C1045
Shaft Seal / Slinger	Shaft Seal (Meets IP54) V-ring slinger Meets IP54)	FS 140 - 250 (DE) FS 400 - 440 (DE)	V-ring slinger Meets IP54	(DE & NDE)
Bearing Housing	Cast iron		Cast iron	
Bearing Type	Open Single Shielded Double Shielded	FS 140 - 250 & 440 (DE) FS 140 - 360 (NDE) FS 280 - 360 (DE) FS 440 (NDE) FS 400 (DE & NDE)	Open Double Shielded Duplex Angular Contact (Thrust Bearing)	FS 180 - 250 (DE) FS 280 - 440 (DE) FS 180 - 440 (NDE)
Bearing Inner Cap	Cast Iron	FS 140 - 440	Cast Iron	FS 180 - 440
Lubrication	Polyurea	Base Grease	Polyurea	Base Grease
Lube Inlet Fittings	Alemite		Alemite	
Lube Relief Fittings	Plug		Plug	
Vibration	0.08 IPS		0.08 IPS	
Nameplate	Stainless steel	engraved	Stainless steel	engraved
Condensation Drain	T-drain		T-drain	
Hardware	Rust resistant		Rust resistant	
Lifting Eyebolt	NA		NA	
Paint	ALKYED MODIFIED	RAL7030	ALKYED MODIFIED	RAL7030
Warranty	36 Months		36 Months	
Inverter Duty	VT 10:1 CT 4:1	FS 140 -440 FS 140 - 440	VT 10:1 CT 4:1	FS 180 - 440 FS 180 - 440

Introduction

General capabilities for use with adjustable speed drives

Product Line	Efficiency	Voltage	Frame Size	Variable Torque	Constant Torque
GP100A	NEMA Premium®	208-230/460	143T – 256T	3 Hz – 60 Hz	15 Hz – 60 Hz
GP100	NEMA Premium®	208-230/460	143T – 256T	3 Hz – 60 Hz	15 Hz – 60 Hz
SD100	NEMA Premium®	208-230/460 230/460 & 460	143T – 256T 284T – 449T	3 Hz – 60 Hz	15 Hz – 60 Hz
SD100 IEEE841	NEMA Premium®	460	143T – 449T	3 Hz – 60 Hz	15 Hz – 60 Hz
XP100	NEMA Premium®	208-230/460 230/460 & 460	143T – 326T 284T – 449T	3 Hz – 60 Hz 3 Hz – 60 Hz	15 Hz – 60 Hz Consult Factory
XP100 ID1	NEMA Premium®	230/460	143T – 449T	0.6 Hz – 60 Hz	15 Hz – 60 Hz
GP100A	Exceeds NEMA Premium® (Cu rotor)	208-230/460	143T – 256T	3 Hz – 60 Hz	6 Hz – 60 Hz
GP100	Exceeds NEMA Premium® (Cu rotor)	208-230/460	143T – 256T	3 Hz – 60 Hz	6 Hz – 60 Hz
SD100	Exceeds NEMA Premium® (Cu rotor)	208-230/460	143T – 256T	3 Hz – 60 Hz	6 Hz – 60 Hz
SD100 IEEE841	Exceeds NEMA Premium® (Cu rotor)	460	143T – 256T	3 Hz – 60 Hz	6 Hz – 60 Hz

General Purpose Motors

Severe Duty Motors

Hazardous Duty Motors

Definite Purpose Motors

QuickMOD Detail

Custom Options Detail

Typical Performance Data

General Dimensions

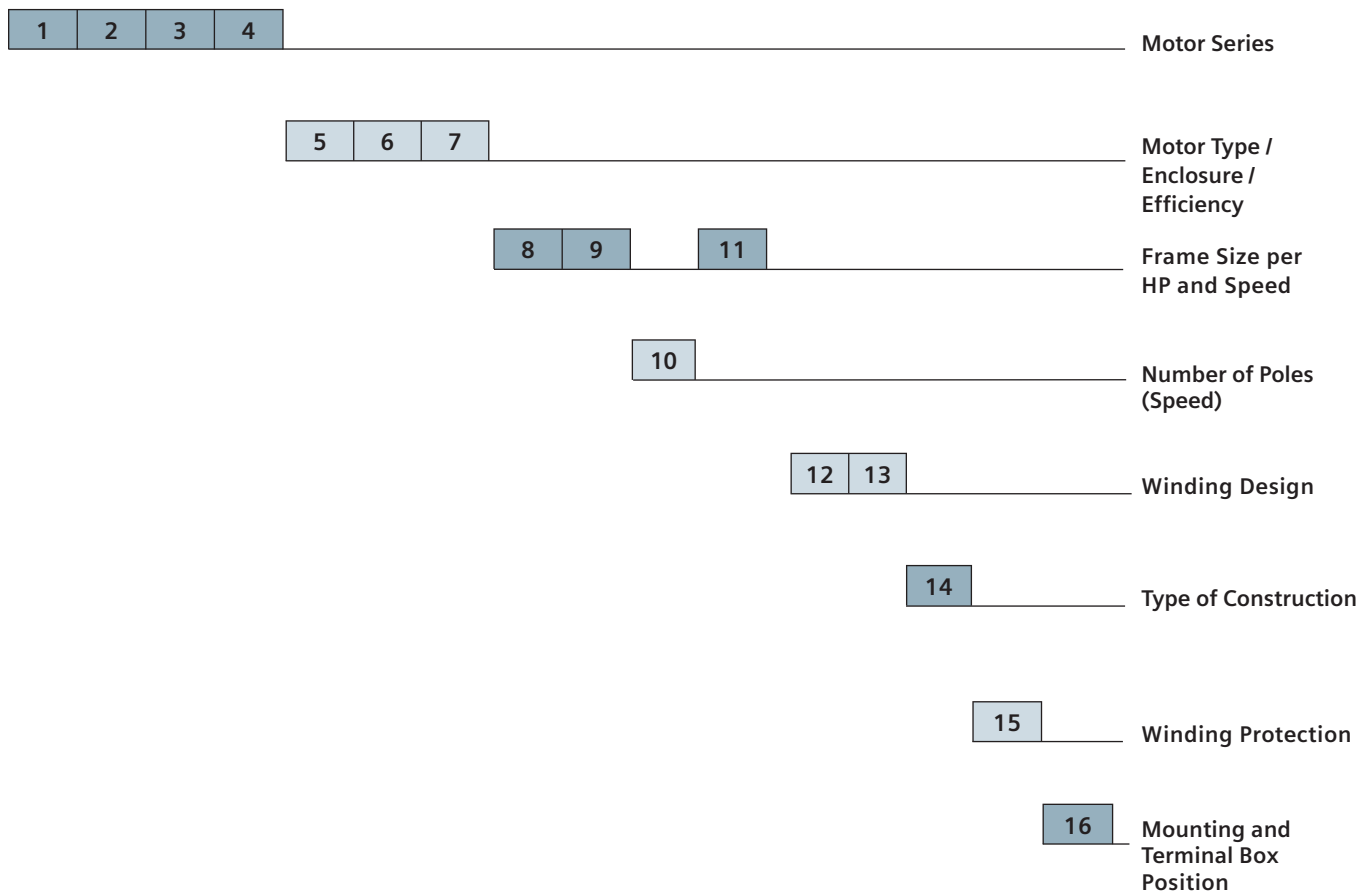
Part Number Index

Introduction

Selection and ordering information

Part number position

1	2	3	4	5	6	7	8	9	10	11	12	13	14	15	16	
1	L	E	2	1	1	1	2	A	A	2	1	4	A	A	3	Simple Part Number
N	A	A	N	N	N	N	N	A	A	N	N	N	A	A	N	A = letter N = number



Introduction

Selection and ordering information

1	2	3	4	5	6	7	8	9	10	11	12	13	14	15	16
---	---	---	---	---	---	---	---	---	----	----	----	----	----	----	----

1	2	3	4	Motor Series
1	L	E	2	NEMA low-voltage motors, Standard Motors
1	M	B	2	NEMA low-voltage motors, Explosion Proof
1	P	C	2	NEMA low-voltage motors, Definite Purpose

				5	6	7	Motor Type	Enclosure	Efficiency
1	L	E	2	1	1	1	GP 100 A	TEFC	NEMA Premium® +
1	L	E	2	1	2	1	GP 100A	TEFC	NEMA Premium®
1	L	E	2	2	1	1	GP 100	TEFC	NEMA Premium® +
1	L	E	2	2	2	1	GP 100	TEFC	NEMA Premium®
1	L	E	2	3	1	1	SD 100	TEFC	NEMA Premium® +
1	L	E	2	3	2	1	SD 100	TEFC	NEMA Premium®
1	L	E	2	4	1	1	SD 100 IEEEE841	TEFC	NEMA Premium® +
1	L	E	2	4	2	1	SD 100 IEEEE841	TEFC	NEMA Premium®
1	M	B	2	1	2	1	XP100	TEFC	NEMA Premium®
1	M	B	2	2	2	1	XP100 ID1	TEFC	NEMA Premium®
1	L	E	2	3	0	1	SD10 MS	TEFC	Standard
1	P	C	2	8	9	1	RGZESDI 10:1 CT	TEFC	NA
1	P	C	2	9	1	1	RGKESDI 1000:1 CT	TEFC	NA
1	P	C	2	9	2	1	RGZESDI 1000:1 CT	TEBC	NA
1	P	C	2	8	1	1	RGZVESD	VSS	EPAAct
1	P	C	2	8	3	1	RGZVILESD	VSS	EPAAct

Introduction

Selection and ordering information

1	2	3	4	5	6	7	8	9	10	11	12	13	14	15	16
---	---	---	---	---	---	---	---	---	----	----	----	----	----	----	----

8	9	11	Frame Size	Single Speed				Multi-Speed 1WVT		
				HP/ 60Hz				1800/900 RPM		
				2	4	6	8	High	Low	
1	A		1	143T	1					
1	A		2	143T	1.5	1	0.75	0.5	1	0.25
1	A		3	145T	2	1.5	1	0.75	1.5	0.37
1	C		1	182T	3	3	1.5	1	2	0.5
1	C		3	184T	5	5	2	1.5	3	0.75
2	A		1	213T	7.5	7.5	3	2	5	1.2
2	A		2	215T	10	10	5	3	7.5	1.9
2	B		1	254T	15	15	7.5	5	10	2.5
2	B		2	256T	20	20	10	7.5	15	3.7
2	C		1	284T	25	25	15	10	20	5
2	D		1	284TS	25	25	15	10		
2	C		2	286T	30	30	20	15	25	6.2
2	D		2	286TS	30	30	20	15		
3	A		1	324T	40	40	25	20	30	7.5
3	B		1	324TS	40	40	25	20		
3	A		2	326T	50	50	30	25	40	10
3	B		2	326TS	50	50	30	25		
3	C		1	364T	60	60	40	30	50	12
3	D		1	364TS	60	60	40	30		
3	C		2	365T	75	75	50	40	60	15
3	D		2	365TS	75	75	50	40		
4	A		1	404T	75	75	60	50		
4	A		2	405T	100	100	75	60	75	19
4	B		2	405TS	100	100	75	60		
4	C		1	444T		125	100	75		
4	D		1	444TS	125	125	100	75	100	25
4	C		2	445T		150	125	100		
4	D		2	445TS	150	150	125	100	125	31
4	C		3	447T		200	150	125		
4	D		3	447TS	200	200	150	125	150	37
4	C		5	449T		250	200	150		
4	D		5	449TS	250	250	200	150	200	50
4	C		6	449T		300	250	200		
4	D		6	449TS	300	300	250	200	250	62.5
4	F		1	S449LS		300	300	200		
4	G		1	S449SS	350	300	300	200		
4	F		2	S449LS		350		250		
4	G		2	S449SS	300	350		250		
4	F		3	S449LS		400	350			
4	G		3	S449SS	400	400	350			

Introduction

Selection and ordering information

10	Number of Poles
A	2 Pole (3600 rpm)
B	4 Pole (1800 rpm)
C	6 Pole (1200 rpm)
D	8 Pole (900 rpm)
E	10 Pole (720 rpm)
M	4/8 Pole (1800/900 rpm)

12	13	Winding Design
1	0	200V STD 60Hz
1	1	230V STD 60Hz
1	2	460V STD 60Hz
1	3	575V STD 60Hz
1	4	208-230/460V STD 60Hz
1	6	230/460V STD 60Hz
2	0	200V PWS 60Hz
2	1	230V PWS 60Hz
2	2	460V PWS 60Hz
2	3	575V PWS 60Hz
2	4	230/460V PWS 60Hz
3	0	200V Y-Delta 60Hz
3	1	230V Y-Delta 60Hz
3	2	460V Y-Delta 60Hz
3	3	575V Y-Delta 60Hz
4	0	460V Y, YY 1WVT 60Hz
4	4	575V Y, YY 1WVT 60Hz
9	0	+M1Y - Special Voltage 200-460V
9	0	+M2Y - Special Voltage 461-600V

14	Type of Construction
A	Foot mounted C-1, 2: F-1, 2: W-1...8
E	C-face with feet C-1, 2: F-1, 2: W-1...8
F	D-Flange with feet C-1, 2: F-1, 2: W-1...8
G	C-face without feet C-1, 2: F-1, 2: W-1...8
H	D-Flange without feet C-1, 2: F-1, 2: W-1...8
L	C-face without feet with drip cover - Vertical W-6, 7
M	D-Flange without feet with drip cover - Vertical W-6, 7
N	C-face with feet with drip cover - Vertical W-6, 7
P	D-Flange with feet with drip cover W-6,7
T	P-Flange without feet with drip cover - Vertical W-6, 7

Introduction

Selection and ordering information

1	2	3	4	5	6	7	8	9	10	11	12	13	14	15	16
---	---	---	---	---	---	---	---	---	----	----	----	----	----	----	----

15	Winding Protection
A	Without winding protection
B	PTC thermistors, 3 embedded temperature sensors
C	PTC thermistors, 6 embedded temperature sensors
F	KTY84-130, 2 embedded temperature sensors
G	Thermostats, Klixon type, normally closed
J	Thermocouples, coil head
K	Thermal protection, RTDs (coil head, 3/phase)

16	Mountings and Terminal Box Position
0	Mounting – F-3 (top mounted)
1	Mounting – C-2
2	Mounting – F-2
3	Mounting – F-1
4	Mounting – W-6
5	Mounting – W-7
6	Mounting – W-5
7	Mounting – W-8
8	Mounting – C-1
9	+R1A Mounting – W-1
9	+R2A Mounting – W-2
9	+R3A Mounting – W-3
9	+R4A Mounting – W-4

Introduction

Special features overview

Bearings and Lubrication	Order Code	
Oil Mist	L54	Provisions
	L55	Ready
Special Grease	L57	Mobil 28
	L58	Mobilith SHC 100
Grease Fitting	L60	Pressure relief
Roller Bearings	L65	In lieu of ball bearings
Insulated Bearing	L66	Both ends
Insulated Bearing	L67	Only on opposite Drive End
Ball Bearings	L68	Sealed (except 2 pole, 360+ frames)
Bearing thermal Protection	A51	100 Ω RTDs both ends Connection head and terminal block
Shaft and Seals	Order Code	
Carbon Steel	M57	(C4140)
Special shaft to Customer Specifications	Y50	Drive End
Special Shaft to Customer Specifications	Y51	Opposite Drive End
NEMA Standard Short Shaft	M53	Opposite Drive End
NEMA Standard Long Shaft	M52	Opposite Drive End
Shaft Grounding Brush	L29	
Slinger & O Ring	L76	(4, 6, 8 Pole only)
Inpro Seal	L79	Drive End
Inpro Seal	L80	Opposite Drive End
Inpro Seal	L81	Both ends
Brass Seal	L84	
Coupling	H10	Customer Supplied
Terminal Box	Order Code	
Maint Terminal Box	L01	Cast Iron in lieu of Aluminum
	J84	Orientation 90 deg CCW
	J85	Orientation 180 deg CCW
	J86	Orientation 270 deg CCW
Condulet	JX0	On same side of Main Terminal Box
	JX2	To main Terminal Box
	JX4	Opposite to Main Terminal box
Auxiliary box	JX3	To main Terminal Box
	JX5	Opposite to Main Terminal box
Explosion Proof Condulet	JX6	Opposite to Main Terminal box
Terminal Block	K80	Burndy Hydent type YA
	K83	Terminal Block - 3 lead only
Leads	K85	Special Cable Length
	K89	Sealed Leads
	Y85	Special Cable Length
	Y82	Auxiliary Nameplate Max. 40 Characters
Vertical Jacking	M39	Provisions (280T-449T)

General
Purpose MotorsSevere
Duty MotorsHazardous
Duty MotorsDefinite
Purpose MotorsQuickMOD
DetailCustom
Options DetailTypical
Performance DataGeneral
DimensionsPart Number
Index

Introduction

Special features overview

Frame	Order Code	
Rotational Arrow	K70	Bidirectional (not for uni-directional motors)
	K71	Clockwise
	K72	Counterclockwise
Hardware	L22	Stainless steel (Includes T Drain SS)
Lifting eyebolt	L20	
Grounding	L27	Provision (tapped hole on frame w/bolt)
Drain Plugs	L45	T Drain SS
	L46	Crouse Hinds -UL Approved
Fan	M10	Bronze
Nameplates	M21	Additional nameplate (same information as original)
	M22	Division 2 nameplate
	Y80	Derate – Service Factor, Altitude and/or Ambient temperature
	Y82	Auxiliary Nameplate Max. 40 Characters
Vertical Jacking	M39	Provisions (280T-449T)
Winding	Order Code	
Insulation	C00	Class H ¹⁾
Insulation	C01	Vacuum Pressure Impregnation (VPI)
Insulation	C04	Moisture/Powerhouse (extra dip and bake)
Insulation	C07	Fungus Protection
Insulation	C08	Tropicalization Moisture (extra dip and bake, fungus spray)
Space Heaters	A40	115V Single Phase
	A41	230V Single Phase
	A42	115V Single Phase, Division 2
	A44	230V Single Phase, Division 2
Space Heaters EX	A43	115V Single Phase -Explosion Proof
	A45	230V Single Phase -Explosion Proof
Paint and Others	Order Code	
Special Paint	N01	2 Part Epoxy
Special Paint	N02	3 Part Epoxy
Standard Prime	N03	Only
Special Paint	N04	2 Part Epoxy (Ameron System)
Standard Paint	Y60	Special Color
Special Paint	Y61 *	Special Color
Balance	M69	Precision
	M70	Extra precision
Vibration Detectors	A66	Robert Shaw malfunction detector Model 366 - D8 120VAC
	A67	Provision for vibration sensors (PMC/Beta) on DE & NDE
Packaging	B09	Sea freight - Siemens Standard
	B10	Special

K71, K72: Viewed from the ODE

Introduction

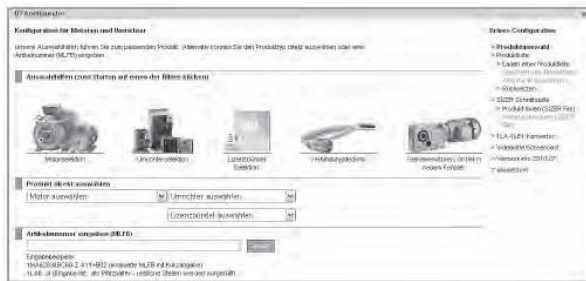
Special features overview

Software	Order Code	
Software	D05	Documentation in Spanish
	F00	Certificate of Compliance
	F40	Standard Data Transmittal
	F42	Standard Dimension Sheet
	F44	Conduit Box Dimension Sheet
	F45	Wiring Diagram
	F46	IOM
	F47	Renewal Parts
	F49	Performance Data Sheets
	F03	Typical Data
	F43	Nonstandard Dimension Sheet
	F50	Customer Specific Data Sheets
	F07	Special Calculated Data
Tests	Order Code	
Test	F10	Routine Test Report
	F12	Routine Test Report (Witnessed)
	F15	Complete Test
	F17	Complete Test (Witnessed)
	F27	Calibration Test
	F36	Electrical Duplicate (Routine Test)
	F37	Electrical Duplicate (Complete Test)
	F30	Noise
	F32	Noise (Witnessed)
	F20	Routine Test + Vibration
	F22	Routine Test + Vibration (Witnessed)
Encoder	Order Code	
Encoder, Single Output	G00	Avtron M3 1024 PPR
	G01	Avtron M4 1024 PPR
	G02	Avtron M56 1024 PPR
	G03	Avtron M85 1024 PPR
	G04	BEI HS35 1024 PPR
	G05	Dynapar HS35 1024 PPR
	G06	Northstar 8500 1024 PPR (210-360)
	G07	Northstar 8500 1024 PPR (400-440)
	G08	Northstar SL56 1024 PPR
	G09	Avtron HS35A
	G10	Avtron M6 1024 PPR
	Y75	Special

Introduction

Selection and configuration tools

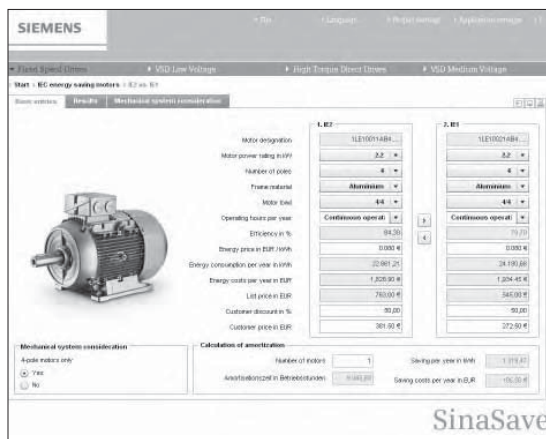
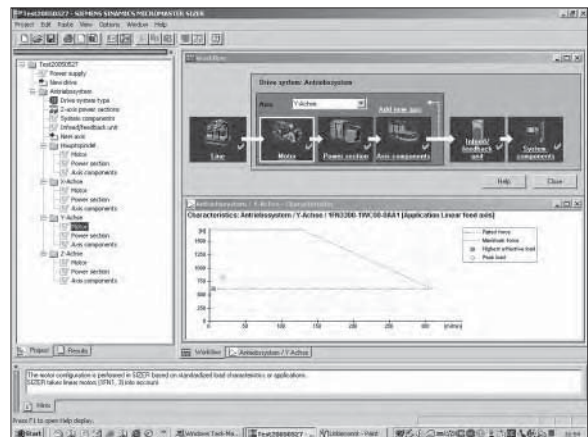
In our **Website** you will find all sorts of useful information, pre-sales information, technical information, contacts and local partners as well as on-line support.



The **DT configurator** has been developed to facilitate the selection of motors and its wide range of special features. It is integrated as an off line "Selection Tool" in the interactive catalog CA01 and is also available on line. The DT Configurator not only renders the correct ordering part number for you, but also provides all relevant documentation to the selection, operating instructions, data sheets, curves and dimensional drawings. www.siemens.com/sd-configurator

Sizer configuration tool provides an easy-to-use means for configuring drives and controls while at the same time supports all engineering steps in one workflow:

- Configuring the power supply
- Motor and gearbox design, including calculations of mechanical transmission elements
- Configuring the drive components
- Selecting the required accessories
- Selecting the line-side and motor-side power options, e.g. cables, filters and reactors



The energy-saving program **SinaSave** is suitable for application with motors for on-line fed operation (fixed speed) and inverter-fed operations (variable speed). With On-line operation, you can calculate the cost savings as well as the amortization time for the additional cost of the Siemens energy-saving motors with three different comparison cases, efficiency comparison, motor comparison and overall plant analysis.

General purpose motors

GP100A (Aluminum frame)

GP100A general purpose TEFC motors are available in two configurations – they exceed NEMA Premium® efficiency with our exclusive, leading-edge, die cast copper rotor design or meet NEMA Premium® efficiency with our die cast aluminum rotor design. Either way, these motors significantly reduce operating costs and pay for themselves in a short time through energy savings. These industry workhorses are ideal for use in material handling, pump, fan, compressor and other industrial applications.

Performance specifications

- 1 to 20 HP
- 1.15 service factor, 40°C ambient
- 3600, 1800 or 1200 RPM
- 3 phase, 60 Hz; 208-230/460 V and 575V 1 – 20HP
- Meets or exceeds NEMA Premium® efficiency standards
- Class F insulation, Class B temperature rise @ 1.0 S.F.
- NEMA Design B, Continuous Duty
- Meets IP54
- Adjustable speed drive capability
 - 20:1 variable torque
 - 4:1 constant torque
 - 10:1 for copper rotor
- 143T through 256T frame

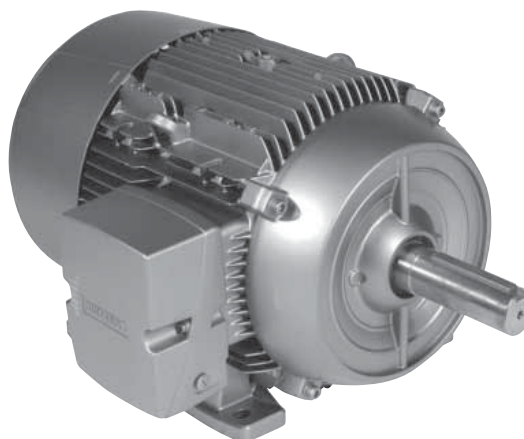
Features for long life

Frame and bearing housings – Die cast aluminum construction for exceptional heat dissipation and structural integrity. Maximum mounting flexibility assured with bolt-on feet. Condensation drain holes provided. Integrally cast lifting eyes. Unique frame fan design maximizes cooling.

Rotor – Each rotor assembly is dynamically balanced for extended bearing life, and includes a high strength carbon steel (C1045) shaft for maximum rotor performance.

Stator/Windings – Manufactured with premium electrical grade steel laminations and copper electrical magnet wire to lower losses for improved efficiencies. A unique stator core design lowers flux density while increasing cooling capacity. Large conductor cross section reduces resistance and lowers stator losses.

Insulation – Proprietary inverter rated NEMA Class F, non-hygroscopic insulation system with Class B temperature rise @ 1.05F, provides an extra margin of thermal life. Varnish system application ensures maximum wire penetration to provide protection from moisture, corrosion and electrical surges. This insulation system meets or exceeds NEMA MG1-2006, Part 31, making all motors suitable for operation with adjustable frequency drives.



**NEMA
Premium**

**18
MONTH
WARRANTY**

Cooling – A bi-directional, non-sparking fan is locked and keyed to the shaft. Its design reduces wind age losses, improves air flow, reduces noise and provides dependable cooling. Polycarbonate fan covers are provided on all frame sizes.

Bearings – Lubricated for life, oversized, complete with external V-ring slinger.

Lubrication – A specially formulated, high temperature, polyurea based grease.

Oversized conduit box – Cast aluminum construction that is larger than industry standards, diagonally split and rotatable in 90° increments for quick and easy connections. Ground lug included. Non-wicking, clearly and permanently marked leads.

Corrosion resistance – Die cast aluminum construction, polycarbonate fan and fan cover, corrosion resistant hardware, epoxy enamel paint and aluminum nameplate resist corrosion.

Modifiable – Siemens GP100A motors are available with a variety of **QuikMOD** modifications and kits.



General purpose motors

GP100A (Aluminum frame)

NEMA Premium®
Die cast aluminum rotor

460V 60Hz – Foot mounted

HP	RPM	Frame	Voltage	Type	Part Number	List price \$	Multi. Symb.	FL amps	FL Nom Eff. (%)	Lbs	Stock
1	3600	143T	208-230/460	GP100A	1LE21211AA114AA3	429	GPA2	1.4	82.5	29	✓
1	1800	143T	208-230/460	GP100A	1LE21211AB214AA3	429	GPA2	1.4	85.5	41	✓
1	1200	145T	208-230/460	GP100A	1LE21211AC314AA3	533	GPA2	1.6	82.5	45	✓
1.5	3600	143T	208-230/460	GP100A	1LE21211AA214AA3	440	GPA2	2.0	84.0	35	✓
1.5	1800	145T	208-230/460	GP100A	1LE21211AB314AA3	471	GPA2	2.1	86.5	47	✓
1.5	1200	182T	208-230/460	GP100A	1LE21211CC114AA3	570	GPA2	2.4	87.5	63	✓
2	3600	145T	208-230/460	GP100A	1LE21211AA314AA3	511	GPA2	2.5	85.5	38	✓
2	1800	145T	208-230/460	GP100A	1LE21211AB414AA3	513	GPA2	2.8	86.5	46	✓
2	1200	184T	208-230/460	GP100A	1LE21211CC314AA3	629	GPA2	3.2	88.5	72	✓
3	3600	182T	208-230/460	GP100A	1LE21211CA114AA3	570	GPA2	3.8	86.5	57	✓
3	1800	182T	208-230/460	GP100A	1LE21211CB114AA3	590	GPA2	4.0	89.5	68	✓
3	1200	213T	208-230/460	GP100A	1LE21212AC114AA3	809	GPA2	4.3	89.5	104	✓
5	3600	184T	208-230/460	GP100A	1LE21211CA314AA3	741	GPA2	6.0	88.5	67	✓
5	1800	184T	208-230/460	GP100A	1LE21211CB314AA3	671	GPA2	6.5	89.5	74	✓
5	1200	215T	208-230/460	GP100A	1LE21212AC214AA3	1207	GPA2	6.7	89.5	116	✓
7.5	3600	213T	208-230/460	GP100A	1LE21212AA114AA3	969	GPA2	8.8	89.5	100	✓
7.5	1800	213T	208-230/460	GP100A	1LE21212AB114AA3	939	GPA2	9.7	91.7	130	✓
7.5	1200	254T	208-230/460	GP100A	1LE21212BC114AA3	1540	GPA2	10.0	91.0	200	✓
10	3600	215T	208-230/460	GP100A	1LE21212AA214AA3	1142	GPA2	11.5	90.2	113	✓
10	1800	215T	208-230/460	GP100A	1LE21212AB214AA3	1142	GPA2	12.5	91.7	136	✓
10	1200	256T	208-230/460	GP100A	1LE21212BC214AA3	1814	GPA2	13.5	91.0	196	✓
15	3600	254T	208-230/460	GP100A	1LE21212BA114AA3	1493	GPA2	17.5	91.0	196	✓
15	1800	254T	208-230/460	GP100A	1LE21212BB114AA3	1457	GPA2	19.0	92.4	198	✓
20	3600	256T	208-230/460	GP100A	1LE21212BA214AA3	1848	GPA2	22.5	91.0	231	✓
20	1800	256T	208-230/460	GP100A	1LE21212BB214AA3	1755	GPA2	25.0	93.0	229	✓

NEMA Premium® is a certification mark of the National Electrical Manufacturers Association.
QuikMOD Delivery for stocked motors only.

Stock availability subject to change.
Prices and Specifications are subject to change without notice.
DOE#CC 032A

General purpose motors

GP100A (Aluminum frame)

NEMA Premium®
Die cast aluminum rotor

460V 60Hz – C-face Foot mounted

HP	RPM	Frame	Voltage	Type	Part Number	List price \$	Multi. Symb.	FL amps	FL Nom Eff. (%)	Lbs	Stock
1	3600	143TC	208-230/460	GP100A	1LE21211AA114EA3	535	GPA2	1.4	82.5	29	✓
1	1800	143TC	208-230/460	GP100A	1LE21211AB214EA3	535	GPA2	1.4	85.5	41	✓
1	1200	145TC	208-230/460	GP100A	1LE21211AC314EA3	642	GPA2	1.6	82.5	45	
1.5	3600	143TC	208-230/460	GP100A	1LE21211AA214EA3	546	GPA2	2.0	84.0	35	✓
1.5	1800	145TC	208-230/460	GP100A	1LE21211AB314EA3	578	GPA2	2.1	86.5	47	✓
1.5	1200	182TC	208-230/460	GP100A	1LE21211CC114EA3	723	GPA2	2.4	87.5	63	
2	3600	145TC	208-230/460	GP100A	1LE21211AA314EA3	619	GPA2	2.5	85.5	38	✓
2	1800	145TC	208-230/460	GP100A	1LE21211AB414EA3	621	GPA2	2.8	86.5	46	✓
2	1200	184TC	208-230/460	GP100A	1LE21211CC314EA3	784	GPA2	3.2	88.5	72	
3	3600	182TC	208-230/460	GP100A	1LE21211CA114EA3	723	GPA2	3.8	86.5	57	✓
3	1800	182TC	208-230/460	GP100A	1LE21211CB114EA3	744	GPA2	4.0	89.5	68	✓
3	1200	213TC	208-230/460	GP100A	1LE21212AC114EA3	969	GPA2	4.3	89.5	104	
5	3600	184TC	208-230/460	GP100A	1LE21211CA314EA3	899	GPA2	6.0	88.5	67	✓
5	1800	184TC	208-230/460	GP100A	1LE21211CB314EA3	827	GPA2	6.5	89.5	74	✓
5	1200	215TC	208-230/460	GP100A	1LE21212AC214EA3	1379	GPA2	6.7	89.5	116	
7.5	3600	213TC	208-230/460	GP100A	1LE21212AA114EA3	1134	GPA2	8.8	89.5	100	✓
7.5	1800	213TC	208-230/460	GP100A	1LE21212AB114EA3	1103	GPA2	9.7	91.7	130	✓
7.5	1200	254TC	208-230/460	GP100A	1LE21212BC114EA3	1772	GPA2	10.0	91.0	200	
10	3600	215TC	208-230/460	GP100A	1LE21212AA214EA3	1312	GPA2	11.5	90.2	113	✓
10	1800	215TC	208-230/460	GP100A	1LE21212AB214EA3	1312	GPA2	12.5	91.7	136	✓
10	1200	256TC	208-230/460	GP100A	1LE21212BC214EA3	2054	GPA2	13.5	91.0	196	
15	3600	254TC	208-230/460	GP100A	1LE21212BA114EA3	1723	GPA2	17.5	91.0	196	✓
15	1800	254TC	208-230/460	GP100A	1LE21212BB114EA3	1686	GPA2	19.0	92.4	198	✓
20	3600	256TC	208-230/460	GP100A	1LE21212BA214EA3	2089	GPA2	22.5	91.0	231	✓
20	1800	256TC	208-230/460	GP100A	1LE21212BB214EA3	1993	GPA2	25.0	93.0	229	✓

NEMA Premium® is a certification mark of the National Electrical Manufacturers Association.
QuikMOD Delivery for stocked motors only.

Stock availability subject to change.
Prices and Specifications are subject to change without notice.
DOE#CC 032A

General purpose motors

GP100A (Aluminum frame)

NEMA Premium®
Die cast aluminum rotor

460V 60Hz – C-face Footless

HP	RPM	Frame	Voltage	Type	Part Number	List price \$	Multi. Symb.	FL amps	FL Nom Eff. (%)	Lbs	Stock
1	3600	143TC	208-230/460	GP100A	1LE21211AA114GA3	519	GPA2	1.4	82.5	29	✓
1	1800	143TC	208-230/460	GP100A	1LE21211AB214GA3	519	GPA2	1.4	85.5	41	✓
1	1200	145TC	208-230/460	GP100A	1LE21211AC314GA3	623	GPA2	1.6	82.5	45	
1.5	3600	143TC	208-230/460	GP100A	1LE21211AA214GA3	530	GPA2	2.0	84.0	35	✓
1.5	1800	145TC	208-230/460	GP100A	1LE21211AB314GA3	561	GPA2	2.1	86.5	47	✓
1.5	1200	182TC	208-230/460	GP100A	1LE21211CC114GA3	702	GPA2	2.4	87.5	63	
2	3600	145TC	208-230/460	GP100A	1LE21211AA314GA3	601	GPA2	2.5	85.5	38	✓
2	1800	145TC	208-230/460	GP100A	1LE21211AB414GA3	603	GPA2	2.8	86.5	46	✓
2	1200	184TC	208-230/460	GP100A	1LE21211CC314GA3	761	GPA2	3.2	88.5	72	
3	3600	182TC	208-230/460	GP100A	1LE21211CA114GA3	702	GPA2	3.8	86.5	57	✓
3	1800	182TC	208-230/460	GP100A	1LE21211CB114GA3	722	GPA2	4.0	89.5	68	✓
3	1200	213TC	208-230/460	GP100A	1LE21212AC114GA3	941	GPA2	4.3	89.5	104	
5	3600	184TC	208-230/460	GP100A	1LE21211CA314GA3	873	GPA2	6.0	88.5	67	✓
5	1800	184TC	208-230/460	GP100A	1LE21211CB314GA3	803	GPA2	6.5	89.5	74	✓
5	1200	215TC	208-230/460	GP100A	1LE21212AC214GA3	1339	GPA2	6.7	89.5	116	
7.5	3600	213TC	208-230/460	GP100A	1LE21212AA114GA3	1101	GPA2	8.8	89.5	100	✓
7.5	1800	213TC	208-230/460	GP100A	1LE21212AB114GA3	1071	GPA2	9.7	91.7	130	✓
7.5	1200	254TC	208-230/460	GP100A	1LE21212BC114GA3	1720	GPA2	10.0	91.0	200	
10	3600	215TC	208-230/460	GP100A	1LE21212AA214GA3	1274	GPA2	11.5	90.2	113	✓
10	1800	215TC	208-230/460	GP100A	1LE21212AB214GA3	1274	GPA2	12.5	91.7	136	✓
10	1200	256TC	208-230/460	GP100A	1LE21212BC214GA3	1994	GPA2	13.5	91.0	196	
15	3600	254TC	208-230/460	GP100A	1LE21212BA114GA3	1673	GPA2	17.5	91.0	196	✓
15	1800	254TC	208-230/460	GP100A	1LE21212BB114GA3	1637	GPA2	19.0	92.4	198	✓
20	3600	256TC	208-230/460	GP100A	1LE21212BA214GA3	2028	GPA2	22.5	91.0	231	✓
20	1800	256TC	208-230/460	GP100A	1LE21212BB214GA3	1935	GPA2	25.0	93.0	229	✓

NEMA Premium® is a certification mark of the National Electrical Manufacturers Association.
QuikMOD Delivery for stocked motors only.

Stock availability subject to change.
Prices and Specifications are subject to change without notice.
DOE#CC 032A

General purpose motors

GP100A (Aluminum frame)

NEMA Premium®
Die cast aluminum rotor

575V 60Hz – Foot mounted

HP	RPM	Frame	Voltage	Type	Part Number	List Price \$	Multi. Symb.	FL Amps	FL Nom Eff. (%)	Lbs	Stock
1	3600	143T	575	GP100A	1LE21211AA113AA3	429	GPA2	1.1	82.5	29	
1	1800	143T	575	GP100A	1LE21211AB213AA3	429	GPA2	1.1	85.5	41	
1	1200	145T	575	GP100A	1LE21211AC313AA3	533	GPA2	1.3	82.5	45	
1.5	3600	143T	575	GP100A	1LE21211AA213AA3	440	GPA2	1.6	84.0	35	
1.5	1800	145T	575	GP100A	1LE21211AB313AA3	471	GPA2	1.7	86.5	47	
1.5	1200	182T	575	GP100A	1LE21211CC113AA3	570	GPA2	1.9	87.5	63	
2	3600	145T	575	GP100A	1LE21211AA31AA3	511	GPA2	2.0	85.5	38	
2	1800	145T	575	GP100A	1LE21211AB413AA3	513	GPA2	2.2	86.5	46	
2	1200	184T	575	GP100A	1LE21211CC313AA3	629	GPA2	2.6	88.5	72	
3	3600	182T	575	GP100A	1LE21211CA113AA3	570	GPA2	3.0	86.5	57	
3	1800	182T	575	GP100A	1LE21211CB113AA3	590	GPA2	3.2	89.5	68	
3	1200	213T	575	GP100A	1LE21212AC113AA3	809	GPA2	3.4	89.5	104	
5	3600	184T	575	GP100A	1LE21211CA313AA3	741	GPA2	4.8	88.5	67	
5	1800	184T	575	GP100A	1LE21211CB313AA3	671	GPA2	5.2	89.5	74	
5	1200	215T	575	GP100A	1LE21212AC213AA3	1207	GPA2	5.4	89.5	116	
7.5	3600	213T	575	GP100A	1LE21212AA113AA3	969	GPA2	7.0	89.5	100	
7.5	1800	213T	575	GP100A	1LE21212AB113AA3	939	GPA2	7.8	91.7	130	
7.5	1200	254T	575	GP100A	1LE21212BC113AA3	1540	GPA2	8.0	91.0	200	
10	3600	215T	575	GP100A	1LE21212AA213AA3	1142	GPA2	9.2	90.2	113	
10	1800	215T	575	GP100A	1LE21212AB213AA3	1142	GPA2	10.0	91.7	136	
10	1200	256T	575	GP100A	1LE21212BC213AA3	1814	GPA2	11.0	91.0	196	
15	3600	254T	575	GP100A	1LE21212BA113AA3	1493	GPA2	14.0	91.0	196	
15	1800	254T	575	GP100A	1LE21212BB113AA3	1457	GPA2	15.0	92.4	198	
20	3600	256T	575	GP100A	1LE21212BA213AA3	1848	GPA2	18.0	91.0	231	
20	1800	256T	575	GP100A	1LE21212BB213AA3	1755	GPA2	20.0	93.0	229	

NEMA Premium® is a certification mark of the National Electrical Manufacturers Association.
QuikMOD Delivery for stocked motors only.

Stock availability subject to change.
Prices and Specifications are subject to change without notice.
DOE#CC 032A

General purpose motors

GP100A (Aluminum frame)

NEMA Premium®
Die cast aluminum rotor

575V 60Hz – C-face Foot mounted

HP	RPM	Frame	Voltage	Type	Part Number	List price \$	Multi. Symb.	FL amps	FL Nom Eff. (%)	Lbs	Stock
1	3600	143TC	575	GP100A	1LE21211AA113EA3	519	GPA2	1.4	82.5	29	
1	1800	143TC	575	GP100A	1LE21211AB213EA3	519	GPA2	1.4	85.5	41	
1	1200	145TC	575	GP100A	1LE21211AC313EA3	623	GPA2	1.6	82.5	45	
1.5	3600	143TC	575	GP100A	1LE21211AA213EA3	530	GPA2	2.0	84.0	35	
1.5	1800	145TC	575	GP100A	1LE21211AB313EA3	561	GPA2	2.1	86.5	47	
1.5	1200	182TC	575	GP100A	1LE21211CC113EA3	702	GPA2	2.4	87.5	63	
2	3600	145TC	575	GP100A	1LE21211AA313EA3	601	GPA2	2.5	85.5	38	
2	1800	145TC	575	GP100A	1LE21211AB413EA3	603	GPA2	2.8	86.5	46	
2	1200	184TC	575	GP100A	1LE21211CC313EA3	761	GPA2	3.2	88.5	72	
3	3600	182TC	575	GP100A	1LE21211CA113EA3	702	GPA2	3.8	86.5	57	
3	1800	182TC	575	GP100A	1LE21211CB113EA3	772	GPA2	4.0	89.5	68	
3	1200	213TC	575	GP100A	1LE21212AC113EA3	941	GPA2	4.3	89.5	104	
5	3600	184TC	575	GP100A	1LE21211CA313EA3	873	GPA2	6.0	88.5	67	
5	1800	184TC	575	GP100A	1LE21211CB313EA3	803	GPA2	6.5	89.5	74	
5	1200	215TC	575	GP100A	1LE21212AC213EA3	1339	GPA2	6.7	89.5	116	
7.5	3600	213TC	575	GP100A	1LE21212AA113EA3	1101	GPA2	8.8	89.5	100	
7.5	1800	213TC	575	GP100A	1LE21212AB113EA3	1071	GPA2	9.7	91.7	130	
7.5	1200	254TC	575	GP100A	1LE21212BC113EA3	1720	GPA2	10.0	91.0	200	
10	3600	215TC	575	GP100A	1LE21212AA213EA3	1274	GPA2	11.5	90.2	113	
10	1800	215TC	575	GP100A	1LE21212AB213EA3	1274	GPA2	12.5	91.7	136	
10	1200	256TC	575	GP100A	1LE21212BC213EA3	1994	GPA2	13.5	91.0	196	
15	3600	254TC	575	GP100A	1LE21212BA113EA3	1673	GPA2	17.5	91.0	196	
15	1800	254TC	575	GP100A	1LE21212BB113EA3	1637	GPA2	19.0	92.4	198	
20	3600	256TC	575	GP100A	1LE21212BA213EA3	2028	GPA2	22.5	91.0	231	
20	1800	256TC	575	GP100A	1LE21212BB213EA3	1935	GPA2	25.0	93.0	229	

NEMA Premium® is a certification mark of the National Electrical Manufacturers Association.
QuikMOD Delivery for stocked motors only.

Stock availability subject to change.
Prices and Specifications are subject to change without notice.
DOE#CC 032A

General purpose motors

GP100A (Aluminum frame)

NEMA Premium®
Die cast aluminum rotor

575V 60Hz – C-face Footless

HP	RPM	Frame	Voltage	Type	Part Number	List price \$	Multi. Symb.	FL amps	FL Nom Eff. (%)	Lbs	Stock
1	3600	143TC	575	GP100A	1LE21211AA113GA3	519	GPA2	1.4	82.5	29	
1	1800	143TC	575	GP100A	1LE21211AB213GA3	519	GPA2	1.4	85.5	41	
1	1200	145TC	575	GP100A	1LE21211AC313GA3	623	GPA2	1.6	82.5	45	
1.5	3600	143TC	575	GP100A	1LE21211AA213GA3	530	GPA2	2.0	84.0	35	
1.5	1800	145TC	575	GP100A	1LE21211AB313GA3	561	GPA2	2.1	86.5	47	
1.5	1200	182TC	575	GP100A	1LE21211CC113GA3	702	GPA2	2.4	87.5	63	
2	3600	145TC	575	GP100A	1LE21211AA313GA3	601	GPA2	2.5	85.5	38	
2	1800	145TC	575	GP100A	1LE21211AB413GA3	603	GPA2	2.8	86.5	46	
2	1200	184TC	575	GP100A	1LE21211CC313GA3	761	GPA2	3.2	88.5	72	
3	3600	182TC	575	GP100A	1LE21211CA113GA3	702	GPA2	3.8	86.5	57	
3	1800	182TC	575	GP100A	1LE21211CB113GA3	722	GPA2	4.0	89.5	68	
3	1200	213TC	575	GP100A	1LE21212AC113GA3	941	GPA2	4.3	89.5	104	
5	3600	184TC	575	GP100A	1LE21211CA313GA3	873	GPA2	6.0	88.5	67	
5	1800	184TC	575	GP100A	1LE21211CB313GA3	803	GPA2	6.5	89.5	74	
5	1200	215TC	575	GP100A	1LE21212AC213GA3	1339	GPA2	6.7	89.5	116	
7.5	3600	213TC	575	GP100A	1LE21212AA113GA3	1101	GPA2	8.8	89.5	100	
7.5	1800	213TC	575	GP100A	1LE21212AB113GA3	1071	GPA2	9.7	91.7	130	
7.5	1200	254TC	575	GP100A	1LE21212BC113GA3	1720	GPA2	10.0	91.0	200	
10	3600	215TC	575	GP100A	1LE21212AA213GA3	1274	GPA2	11.5	90.2	113	
10	1800	215TC	575	GP100A	1LE21212AB213GA3	1274	GPA2	12.5	91.7	136	
10	1200	256TC	575	GP100A	1LE21212BC213GA3	1994	GPA2	13.5	91.0	196	
15	3600	254TC	575	GP100A	1LE21212BA113GA3	1673	GPA2	17.5	91.0	196	
15	1800	254TC	575	GP100A	1LE21212BB113GA3	1637	GPA2	19.0	92.4	198	
20	3600	256TC	575	GP100A	1LE21212BA213GA3	2028	GPA2	22.5	91.0	231	
20	1800	256TC	575	GP100A	1LE21212BB213GA3	1953	GPA2	25.0	93.0	229	

NEMA Premium® is a certification mark of the National Electrical Manufacturers Association.
QuikMOD Delivery for stocked motors only.

Stock availability subject to change.
Prices and Specifications are subject to change without notice.
DOE#CC 032A

General purpose motors

GP100A (Aluminum frame)

NEMA Premium®
Die cast copper rotor

460V 60Hz – Foot mounted

HP	RPM	Frame	Voltage	Type	Part Number	List Price \$	Mult. Symb.	FL Amps	FL Nom Eff. (%)	Lbs	Stock
1	1800	143T	208-230/460	GP100A	1LE21111AB214AA3	476	GPA2	1.5	86.5	47	✓
1	1200	145T	208-230/460	GP100A	1LE21111AC314AA3	593	GPA2	1.6	84.0	48	✓
1.5	3600	143T	208-230/460	GP100A	1LE21111AA214AA3	488	GPA2	1.9	87.5	45	✓
1.5	1800	145T	208-230/460	GP100A	1LE21111AB314AA3	524	GPA2	2.1	87.5	48	✓
2	3600	145T	208-230/460	GP100A	1LE21111AA314AA3	567	GPA2	2.6	88.5	45	✓
2	1800	145T	208-230/460	GP100A	1LE21111AB414AA3	569	GPA2	2.8	87.5	48	✓
3	3600	182T	208-230/460	GP100A	1LE21111CA114AA3	633	GPA2	3.8	89.5	71	✓
3	1800	182T	208-230/460	GP100A	1LE21111CB114AA3	656	GPA2	4.0	90.2	75	✓
3	1200	213T	208-230/460	GP100A	1LE21112AC114AA3	899	GPA2	4.3	90.2	110	✓
5	3600	184T	208-230/460	GP100A	1LE21111CA314AA3	824	GPA2	6.2	90.2	73	✓
5	1800	184T	208-230/460	GP100A	1LE21111CB314AA3	746	GPA2	6.7	90.2	79	✓
5	1200	215T	208-230/460	GP100A	1LE21112AC214AA3	1340	GPA2	7.0	90.2	123	✓
7.5	3600	213T	208-230/460	GP100A	1LE21112AA114AA3	1076	GPA2	8.5	91.7	130	✓
7.5	1800	213T	208-230/460	GP100A	1LE21112AB114AA3	1043	GPA2	9.5	92.4	137	✓
7.5	1200	254T	208-230/460	GP100A	1LE21112BC114AA3	1796	GPA2	10.5	92.4	244	✓
10	3600	215T	208-230/460	GP100A	1LE21112AA214AA3	1269	GPA2	11.5	91.7	135	✓
10	1800	215T	208-230/460	GP100A	1LE21112AB214AA3	1269	GPA2	12.5	92.4	144	✓
10	1200	256T	208-230/460	GP100A	1LE21112BC214AA3	2115	GPA2	13.5	92.4	245	✓
15	3600	254T	208-230/460	GP100A	1LE21112BA114AA3	1742	GPA2	17.0	92.4	218	✓
15	1800	254T	208-230/460	GP100A	1LE21112BB114AA3	1701	GPA2	19.0	93.0	207	✓
20	3600	256T	208-230/460	GP100A	1LE21112BA214AA3	2156	GPA2	22.5	92.4	241	✓
20	1800	256T	208-230/460	GP100A	1LE21112BB214AA3	2046	GPA2	25.0	93.6	248	✓

575V 60Hz – Foot mounted

HP	RPM	Frame	Voltage	Type	Part Number	List Price \$	Mult. Symb.	FL Amps	FL Nom Eff. (%)	Lbs	Stock
1	1800	143T	575	GP100A	1LE21111AB213AA3	476	GPA2	1.2	86.5	47	
1	1200	145T	575	GP100A	1LE21111AC313AA3	593	GPA2	1.3	84.0	48	
1.5	3600	143T	575	GP100A	1LE21111AA213AA3	488	GPA2	1.5	87.5	45	
1.5	1800	145T	575	GP100A	1LE21111AB313AA3	524	GPA2	1.7	87.5	48	
2	3600	145T	575	GP100A	1LE21111AA313AA3	567	GPA2	2.1	88.5	45	
2	1800	145T	575	GP100A	1LE21111AB413AA3	569	GPA2	2.2	87.5	48	
3	3600	182T	575	GP100A	1LE21111CA113AA3	633	GPA2	3.0	89.5	71	
3	1800	182T	575	GP100A	1LE21111CB113AA3	656	GPA2	3.2	90.2	75	
3	1200	213T	575	GP100A	1LE21112AC113AA3	899	GPA2	3.4	90.2	110	
5	3600	184T	575	GP100A	1LE21111CA313AA3	824	GPA2	5.0	90.2	73	
5	1800	184T	575	GP100A	1LE21111CB313AA3	746	GPA2	5.4	90.2	79	
5	1200	215T	575	GP100A	1LE21112AC213AA3	1340	GPA2	5.6	90.2	123	
7.5	3600	213T	575	GP100A	1LE21112AA113AA3	1076	GPA2	6.8	91.7	130	
7.5	1800	213T	575	GP100A	1LE21112AB113AA3	1043	GPA2	7.6	92.4	137	
7.5	1200	254T	575	GP100A	1LE21112BC113AA3	1796	GPA2	8.4	92.4	244	
10	3600	215T	575	GP100A	1LE21112AA213AA3	1269	GPA2	9.2	91.7	135	
10	1800	215T	575	GP100A	1LE21112AB213AA3	1269	GPA2	10.0	92.4	144	
10	1200	256T	575	GP100A	1LE21112BC213AA3	2115	GPA2	11.0	92.4	245	
15	3600	254T	575	GP100A	1LE21112BA113AA3	1742	GPA2	13.5	92.4	218	
15	1800	254T	575	GP100A	1LE21112BB113AA3	1701	GPA2	15.0	93.0	207	
20	3600	256T	575	GP100A	1LE21112BA213AA3	2156	GPA2	18.0	92.4	241	
20	1800	256T	575	GP100A	1LE21112BB213AA3	2046	GPA2	20.0	93.6	248	

NEMA Premium® is a certification mark of the National Electrical Manufacturers Association.
QuikMOD Delivery for stocked motors only.

Stock availability subject to change.
Prices and Specifications are subject to change without notice.
DOE#CC 032A

General purpose motors

GP100 (Cast iron frame)

GP100 general purpose TEFC motors are available in two configurations –they exceed NEMA Premium® efficiency with our exclusive, leading-edge, die cast copper rotor design (143T-256T) or meet NEMA Premium® efficiency with our die cast aluminum rotor design (143T-449T). Either way, these motors significantly reduce operating costs and pay for themselves in a short time through energy savings. These industry workhorses are ideal for use in material handling, pump, fan, compressor and other industrial applications.

Performance specifications

- 1 to 200 HP
- 1.15 service factor, 40°C ambient
- 3600, 1800, 1200 or 900RPM
- 3 phase, 60 Hz;

208-230/460 V	FS 140 - 250
230/460V	FS 280 - 360
460V	100 - 200 HP
575V	1 - 200HP
- Meets or exceeds NEMA Premium® efficiency standards (EPAAct efficiency for 900RPM Motors)
 - Class F insulation,
 - Class B temperature rise @ 1.0 S.F.
- NEMA Design B, Continuous Duty
- Meets IP54
- 143T through 449T frame
- Adjustable speed drive capability

VT 20:1	FS 140 - 440
CT 4:1	FS 140 - 440
CT 10:1	FS 140 - 250 (Cu)

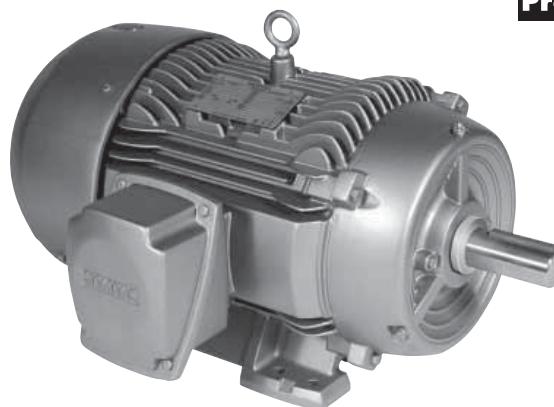
Features for long life

Frame and bearing housings – Cast iron construction for exceptional structural integrity, equipped with integrally cast feet. Condensation drain holes provided. Lifting eyebolts are included for frames 180T to 449T. Unique frame fin design maximizes cooling.

Rotor – Each rotor assembly is dynamically balanced for extended bearing life, and includes a high strength carbon steel (C1045) shaft for maximum rotor performance.

Stator/Windings – Manufactured with premium electrical grade steel laminations and copper electrical magnet wire to lower losses for improved efficiencies. A unique stator core design lowers flux density while increasing cooling capacity. Large conductor cross section reduces resistance and lowers stator losses.

Insulation – Proprietary inverter-rated NEMA Class F non-hygroscopic insulation system with Class B temperature rise @ 1.0 SF, provides an extra margin of thermal life. Varnish system application ensures maximum wire penetration to



NEMA
Premium

18
MONTH
WARRANTY

provide protection from moisture, corrosion and electrical surges. This insulation system meets or exceeds NEMA MG1-2006, Part 31, making all motors suitable for operation with adjustable frequency drives.

Cooling – A bi-directional, non-sparking fan is locked and keyed to the shaft. Its design reduces windage losses, improves air flow, reduces noise and provides dependable cooling. Polycarbonate fan covers are provided on all frame sizes.

Bearings – Lubricated for life (FS 140-400), provisions for lubrication (FS 440), oversized, complete with external bearing protection.

Lubrication – Specially formulated, high temperature, polyurea based grease.

Conduit box – Oversized cast construction that is larger than industry standards, diagonally-split and rotatable in 90° increments for quick and easy connections.

Die Cast aluminum	FS 140 - 250
Steel	FS 280 - 400
Cast Iron	FS 440

A ground lug is included. Non-wicking, clearly and permanently marked leads.

Corrosion resistance – Cast iron construction, polycarbonate fan, corrosion resistant hardware, epoxy enamel paint resist rust and corrosion.

Modifiable and custom – Siemens motors are available with a wide variety of **QuikMOD** modifications and custom designs to meet your specific motor needs.



General purpose motors

GP100 (Cast iron frame)

NEMA Premium®
Die cast aluminum rotor

460V 60Hz – Foot mounted

HP	RPM	Frame	Voltage	Type	Part Number	List Price \$	Mult. Symb.	FL Amps	FL Nom Eff. (%)	Lbs	Stock
1	3600	143T	208-230/460	GP100	1LE22211AA114AA3	454	GP2	1.4	82.5	60	✓
1	1800	143T	208-230/460	GP100	1LE22211AB214AA3	454	GP2	1.4	85.5	62	✓
1	1200	145T	208-230/460	GP100	1LE22211AC314AA3	563	GP2	1.6	82.5	64	✓
1	900	182T	208-230/460	GP100	1LE22211CD114AA3	682	GP2	2.1	74.0	86	✓
1.5	3600	143T	208-230/460	GP100	1LE22211AA214AA3	466	GP2	2.0	84.0	56	✓
1.5	1800	145T	208-230/460	GP100	1LE22211AB314AA3	500	GP2	2.1	86.5	66	✓
1.5	1200	182T	208-230/460	GP100	1LE22211CC114AA3	602	GP2	2.4	87.5	93	✓
1.5	900	184T	208-230/460	GP100	1LE22211CD314AA3	741	GP2	3.0	77.0	99	✓
2	3600	145T	208-230/460	GP100	1LE22211AA314AA3	540	GP2	2.5	85.5	59	✓
2	1800	145T	208-230/460	GP100	1LE22211AB414AA3	542	GP2	2.8	86.5	66	✓
2	1200	184T	208-230/460	GP100	1LE22211CC314AA3	666	GP2	3.2	88.5	102	✓
2	900	213T	208-230/460	GP100	1LE22212AD114AA3	852	GP2	3.3	82.5	123	✓
3	3600	182T	208-230/460	GP100	1LE22211CA114AA3	602	GP2	3.8	86.5	87	✓
3	1800	182T	208-230/460	GP100	1LE22211CB114AA3	623	GP2	4.0	89.5	98	✓
3	1200	213T	208-230/460	GP100	1LE22212AC114AA3	857	GP2	4.3	89.5	144	✓
3	900	215T	208-230/460	GP100	1LE22212AD214AA3	1222	GP2	4.8	84.0	138	✓
5	3600	184T	208-230/460	GP100	1LE22211CA314AA3	784	GP2	6.0	88.5	98	✓
5	1800	184T	208-230/460	GP100	1LE22211CB314AA3	709	GP2	6.5	89.5	104	✓
5	1200	215T	208-230/460	GP100	1LE22212AC214AA3	1277	GP2	6.7	89.5	156	✓
5	900	254T	208-230/460	GP100	1LE22212BD114AA3	1774	GP2	8.8	85.5	218	✓
7.5	3600	213T	208-230/460	GP100	1LE22212AA114AA3	1025	GP2	8.8	89.5	148	✓
7.5	1800	213T	208-230/460	GP100	1LE22212AB114AA3	994	GP2	9.7	91.7	171	✓
7.5	1200	254T	208-230/460	GP100	1LE22212BC114AA3	1630	GP2	10.0	91.0	262	✓
7.5	900	256T	208-230/460	GP100	1LE22212BD214AA3	1787	GP2	13.0	85.5	250	✓
10	3600	215T	208-230/460	GP100	1LE22212AA214AA3	1209	GP2	11.5	90.2	163	✓
10	1800	215T	208-230/460	GP100	1LE22212AB214AA3	1209	GP2	12.5	91.7	177	✓
10	1200	256T	208-230/460	GP100	1LE22212BC214AA3	1918	GP2	13.5	91.0	259	✓
10	900	284T	230/460	GP100	1LE22212CD116AA3	2569	GP2	17.0	90.2	414	
15	3600	254T	208-230/460	GP100	1LE22212BA114AA3	1581	GP2	17.5	91.0	258	✓
15	1800	254T	208-230/460	GP100	1LE22212BB114AA3	1542	GP2	19.0	92.4	259	✓
15	1200	284T	230/460	GP100	1LE22212CC116AA3	2510	GP2	21.0	91.7	409	✓
15	900	286T	230/460	GP100	1LE22212CD216AA3	3051	GP2	23.0	91.0	459	
20	3600	256T	208-230/460	GP100	1LE22212BA214AA3	1955	GP2	22.5	91.0	293	✓
20	1800	256T	208-230/460	GP100	1LE22212BB214AA3	1857	GP2	25.0	93.0	292	✓
20	1200	286T	230/460	GP100	1LE22212CC216AA3	2956	GP2	27.0	91.7	434	✓
20	900	324T	230/460	GP100	1LE22213AD116AA3	3664	GP2	32.0	91.0	616	
25	3600	284TS	230/460	GP100	1LE22212DA116AA3	2268	GP2	29.0	91.7	454	✓
25	1800	284T	230/460	GP100	1LE22212CB116AA3	2164	GP2	30.0	93.6	429	✓
25	1200	324T	230/460	GP100	1LE22213AC116AA3	3565	GP2	33.0	93.0	633	✓
25	900	326T	230/460	GP100	1LE22213AD216AA3	4242	GP2	40.0	91.0	663	
30	3600	286TS	230/460	GP100	1LE22212DA216AA3	2751	GP2	34.0	91.7	424	✓
30	1800	286T	230/460	GP100	1LE22212CB216AA3	2616	GP2	35.0	93.6	449	✓
30	1200	326T	230/460	GP100	1LE22213AC216AA3	4387	GP2	39.0	93.0	658	✓
30	900	364T	230/460	GP100	1LE22213CD116AA3	5449	GP2	47.0	91.7	854	

NEMA Premium® is a certification mark of the National Electrical Manufacturers Association.
QuikMOD Delivery for stocked motors only.

Stock availability subject to change.
Prices and Specifications are subject to change without notice.
DOE#CC 032A

General purpose motors

GP100 (Cast iron frame)

NEMA Premium®
Die cast aluminum rotor

460V 60Hz – Foot mounted

HP	RPM	Frame	Voltage	Type	Part Number	List Price \$	Mult. Symb.	FL Amps	FL Nom Eff. (%)	Lbs	Stock
40	3600	324TS	230/460	GP100	1LE22213BA116AA3	3679	GP2	45.0	93.6	608	✓
40	1800	324T	230/460	GP100	1LE22213AB116AA3	3522	GP2	46.0	94.1	633	✓
40	1200	364T	230/460	GP100	1LE22213CC116AA3	6032	GP2	49.0	94.1	828	✓
40	900	365T	230/460	GP100	1LE22213CD216AA3	6436	GP2	63.0	91.7	950	
50	3600	326TS	230/460	GP100	1LE22213BA216AA3	4871	GP2	55.0	93.6	593	
50	1800	326T	230/460	GP100	1LE22213AB216AA3	4428	GP2	58.0	94.5	668	
50	1200	365T	230/460	GP100	1LE22213CC216AA3	7088	GP2	62.0	94.1	863	
60	3600	364TS	230/460	GP100	1LE22213DA116AA3	5675	GP2	68.0	93.6	780	
60	1800	364T	230/460	GP100	1LE22213CB116AA3	5625	GP2	68.0	95.0	880	
60	1200	404T	230/460	GP100	1LE22214AC116AA3	7354	GP2	74.0	94.5	1047	
75	3600	365TS	230/460	GP100	1LE22213DA216AA3	7091	GP2	86.0	94.1	888	
75	1800	365T	230/460	GP100	1LE22213CB216AA3	7096	GP2	85.0	95.4	950	
75	1200	405T	230/460	GP100	1LE22214AC216AA3	8615	GP2	93.0	94.5	1117	
100	3600	405TS	460	GP100	1LE22214BA212AA3	10347	GP2	108.0	94.1	1012	
100	1800	405T	460	GP100	1LE22214AB212AA3	9547	GP2	113.0	95.4	1107	
100	1800	405TS	460	GP100	1LE22214BB212AA3	9547	GP2	113.0	95.4	1107	
100	1200	444T	460	GP100	1LE22214CC112AA3	12821	GP2	117.0	95.0	1531	
100	1200	444TS	460	GP100	1LE22214DC112AA3	12821	GP2	117.0	95.0	1467	
125	3600	444TS	460	GP100	1LE22214DA112AA3	12831	GP2	138.0	95.0	1381	
125	1800	444T	460	GP100	1LE22214CB112AA3	11924	GP2	143.0	95.4	1590	
125	1800	444T	460	GP100	1LE22214EB112AA3	11924	GP2	143.0	95.4	1552	
125	1800	444TS	460	GP100	1LE22214DB112AA3	11924	GP2	143.0	95.4	1552	
125	1200	445T	460	GP100	1LE22214CC212AA3	14942	GP2	144.0	95.0	1702	
125	1200	445T	460	GP100	1LE22214EC212AA3	14942	GP2	144.0	95.0	1664	
125	1200	445TS	460	GP100	1LE22214DC212AA3	14942	GP2	115.0	95.0	1647	
150	3600	445TS	460	GP100	1LE22214DA212AA3	15967	GP2	131.0	95.0	1542	
150	1800	445T	460	GP100	1LE22214CB212AA3	14359	GP2	170.0	95.8	1865	
150	1800	445T	460	GP100	1LE22214EB212AA3	14359	GP2	170.0	95.8	1827	
150	1800	445TS	460	GP100	1LE22214DB212AA3	14359	GP2	136.0	95.8	1637	
150	1200	447T	460	GP100	1LE22214CC312AA3	17317	GP2	172.0	95.8	1960	
150	1200	447T	460	GP100	1LE22214EC312AA3	17317	GP2	172.0	95.8	1922	
150	1200	447TS	460	GP100	1LE22214DC312AA3	17317	GP2	138.0	95.8	1897	
200	3600	447TS	460	GP100	1LE22214DA312AA3	22239	GP2	173.0	95.4	2182	
200	1800	447T	460	GP100	1LE22214CB312AA3	19230	GP2	228.0	96.2	2245	
200	1800	447T	460	GP100	1LE22214EB312AA3	19230	GP2	228.0	96.2	2207	
200	1800	447TS	460	GP100	1LE22214DB312AA3	19230	GP2	182.0	96.2	2182	

NEMA Premium® is a certification mark of the National Electrical Manufacturers Association.
QuikMOD Delivery for stocked motors only.
Shaded ratings indicated roller bearings.

Stock availability subject to change.
900 RPM Motors meet or exceed EPA efficiency.
Prices and Specifications are subject to change without notice.
DOE#CC 032A

General purpose motors

GP100 (Cast iron frame)

NEMA Premium®
Die cast aluminum rotor

460V 60Hz – C-face footless

HP	RPM	Frame	Voltage	Type	Part Number	List Price \$	Mult. Symb.	FL Amps	FL Nom Eff. (%)	Lbs	Stock
1	3600	143TC	208-230/460	GP100	1LE22211AA114EA3	560	GP2	1.4	82.5	60	✓
1	1800	143TC	208-230/460	GP100	1LE22211AB214EA3	560	GP2	1.4	85.5	62	✓
1	1200	145TC	208-230/460	GP100	1LE22211AC314EA3	673	GP2	1.6	82.5	64	✓
1	900	182TC	208-230/460	GP100	1LE22211CD114EA3	838	GP2	2.1	74.0	86	✓
1.5	3600	143TC	208-230/460	GP100	1LE22211AA214EA3	573	GP2	2.0	84.0	56	✓
1.5	1800	145TC	208-230/460	GP100	1LE22211AB314EA3	608	GP2	2.1	86.5	66	✓
1.5	1200	182TC	208-230/460	GP100	1LE22211CC114EA3	756	GP2	2.4	87.5	93	✓
1.5	900	184TC	208-230/460	GP100	1LE22211CD314EA3	899	GP2	3.0	77.0	99	✓
2	3600	145TC	208-230/460	GP100	1LE22211AA314EA3	649	GP2	2.5	85.5	59	✓
2	1800	145TC	208-230/460	GP100	1LE22211AB414EA3	651	GP2	2.8	86.5	66	✓
2	1200	184TC	208-230/460	GP100	1LE22211CC314EA3	822	GP2	3.2	88.5	102	✓
2	900	213TC	208-230/460	GP100	1LE22212AD114EA3	1014	GP2	3.3	82.5	123	✓
3	3600	182TC	208-230/460	GP100	1LE22211CA114EA3	756	GP2	3.8	86.5	87	✓
3	1800	182TC	208-230/460	GP100	1LE22211CB114EA3	778	GP2	4.0	89.5	98	✓
3	1200	213TC	208-230/460	GP100	1LE22212AC114EA3	1019	GP2	4.3	89.5	144	✓
5	3600	184TC	208-230/460	GP100	1LE22211CA314EA3	943	GP2	6.0	88.5	98	✓
5	1800	184TC	208-230/460	GP100	1LE22211CB314EA3	866	GP2	6.5	89.5	104	✓
5	1200	215TC	208-230/460	GP100	1LE22212AC214EA3	1415	GP2	6.7	89.5	156	✓
5	900	254TC	208-230/460	GP100	1LE22212BD114EA3	2013	GP2	8.8	85.5	218	✓
7.5	3600	213TC	208-230/460	GP100	1LE22212AA114EA3	1192	GP2	8.8	89.5	148	✓
7.5	1800	213TC	208-230/460	GP100	1LE22212AB114EA3	1160	GP2	9.7	91.7	171	✓
7.5	1200	254TC	208-230/460	GP100	1LE22212BC114EA3	1864	GP2	10.0	91.0	262	✓
7.5	900	256TC	208-230/460	GP100	1LE22212BD214EA3	2026	GP2	13.0	85.5	250	✓
10	3600	215TC	208-230/460	GP100	1LE22212AA214EA3	1381	GP2	11.5	90.2	163	✓
10	1800	215TC	208-230/460	GP100	1LE22212AB214EA3	1381	GP2	12.5	91.7	177	✓
10	1200	256TC	208-230/460	GP100	1LE22212BC214EA3	2161	GP2	13.5	91.0	259	✓
15	3600	254TC	208-230/460	GP100	1LE22212BA114EA3	1814	GP2	17.5	91.0	258	✓
15	1800	254TC	208-230/460	GP100	1LE22212BB114EA3	1774	GP2	19.0	92.4	259	✓
20	3600	256TC	208-230/460	GP100	1LE22212BA214EA3	2199	GP2	22.5	91.0	293	✓
20	1800	256TC	208-230/460	GP100	1LE22212BB214EA3	2098	GP2	25.0	93.0	292	✓

NEMA Premium® is a certification mark of the National Electrical Manufacturers Association.
QuikMOD Delivery for stocked motors only.

Stock availability subject to change.
Prices and Specifications are subject to change without notice.
DOE#CC 032A

General purpose motors

GP100 (Cast iron frame)

NEMA Premium®
Die cast aluminum rotor

575V 60Hz – Foot mounted

HP	RPM	Frame	Voltage	Type	Part Number	List Price \$	Mult. Symb.	FL Amps	FL Nom Eff. (%)	Lbs	Stock
1	3600	143T	575	GP100	1LE22211AA113AA3	454	GP2	1.1	82.5	60	✓
1	1800	143T	575	GP100	1LE22211AB213AA3	454	GP2	1.1	85.5	62	✓
1	1200	145T	575	GP100	1LE22211AC313AA3	563	GP2	1.3	82.5	64	✓
1	900	182T	575	GP100	1LE22211CD113AA3	682	GP2	2.1	74.0	86	✓
1.5	3600	143T	575	GP100	1LE22211AA213AA3	466	GP2	1.6	84.0	56	✓
1.5	1800	145T	575	GP100	1LE22211AB313AA3	500	GP2	1.7	86.5	66	✓
1.5	1200	182T	575	GP100	1LE22211CC113AA3	602	GP2	1.9	87.5	93	✓
1.5	900	184T	575	GP100	1LE22211CD313AA3	741	GP2	3.0	77.0	99	✓
2	3600	145T	575	GP100	1LE22211AA313AA3	540	GP2	2.0	85.5	59	✓
2	1800	145T	575	GP100	1LE22211AB413AA3	542	GP2	2.2	86.5	66	✓
2	1200	184T	575	GP100	1LE22211CC313AA3	666	GP2	2.6	88.5	102	✓
2	900	213T	575	GP100	1LE22212AD113AA3	741	GP2	3.3	82.5	123	✓
3	3600	182T	575	GP100	1LE22211CA113AA3	602	GP2	3.0	86.5	87	✓
3	1800	182T	575	GP100	1LE22211CB113AA3	623	GP2	3.2	89.5	98	✓
3	1200	213T	575	GP100	1LE22212AC113AA3	857	GP2	3.4	89.5	144	✓
3	900	215T	575	GP100	1LE22212AD213AA3	1222	GP2	4.8	84.0	138	✓
5	3600	184T	575	GP100	1LE22211CA313AA3	784	GP2	4.8	88.5	98	✓
5	1800	184T	575	GP100	1LE22211CB313AA3	709	GP2	5.2	89.5	104	✓
5	1200	215T	575	GP100	1LE22212AC213AA3	1277	GP2	5.4	89.5	156	✓
5	900	254T	575	GP100	1LE22212BD113AA3	1744	GP2	8.8	85.5	218	✓
7.5	3600	213T	575	GP100	1LE22212AA113AA3	1025	GP2	7.0	89.5	148	✓
7.5	1800	213T	575	GP100	1LE22212AB113AA3	994	GP2	7.8	91.7	171	✓
7.5	1200	254T	575	GP100	1LE22212BC113AA3	1630	GP2	8.0	91.0	262	✓
7.5	900	256T	575	GP100	1LE22212BD213AA3	1787	GP2	13.0	85.0	250	✓
10	3600	215T	575	GP100	1LE22212AA213AA3	1209	GP2	9.2	90.2	163	✓
10	1800	215T	575	GP100	1LE22212AB213AA3	1209	GP2	10.0	91.7	177	✓
10	1200	256T	575	GP100	1LE22212BC213AA3	1918	GP2	11.0	91.0	259	✓
10	900	284T	575	GP100	1LE22212CD113AA3	2569	GP2	14.0	90.2	414	✓
15	3600	254T	575	GP100	1LE22212BA113AA3	1581	GP2	14.0	91.0	258	✓
15	1800	254T	575	GP100	1LE22212BB113AA3	1542	GP2	15.0	92.4	259	✓
15	1200	284T	575	GP100	1LE22212CC113AA3	2510	GP2	17.0	91.7	409	✓
15	900	286T	575	GP100	1LE22212CD213AA3	3051	GP2	18.5	91.0	459	✓
20	3600	256T	575	GP100	1LE22212BA213AA3	1955	GP2	18.0	91.0	293	✓
20	1800	256T	575	GP100	1LE22212BB213AA3	1857	GP2	20.0	93.0	292	✓
20	1200	286T	575	GP100	1LE22212CC213AA3	2956	GP2	21.5	91.7	434	✓
20	900	324T	575	GP100	1LE22213AD113AA3	3664	GP2	25.0	91.0	616	✓
25	3600	284TS	575	GP100	1LE22212DA113AA3	2268	GP2	23.0	91.7	454	✓
25	1800	284T	575	GP100	1LE22212CB113AA3	2164	GP2	24.0	93.6	429	✓
25	1200	324T	575	GP100	1LE22213AC113AA3	3565	GP2	26.0	93.0	633	✓
25	900	326T	575	GP100	1LE22213AD213AA3	4242	GP2	32.0	91.0	663	✓
30	3600	286TS	575	GP100	1LE22212DA213AA3	2751	GP2	27.0	91.7	424	✓
30	1800	286T	575	GP100	1LE22212CB213AA3	2616	GP2	28.0	93.6	449	✓
30	1200	326T	575	GP100	1LE22213AC213AA3	4387	GP2	31.0	93.0	658	✓
30	900	364T	575	GP100	1LE22213CD113AA3	5449	GP2	37.5	91.0	854	✓

NEMA Premium® is a certification mark of the National Electrical Manufacturers Association.
QuikMOD Delivery for stocked motors only.

Stock availability subject to change.
Prices and Specifications are subject to change without notice.
DOE#CC032A

General purpose motors

GP100 (Cast iron frame)

NEMA Premium®
Die cast aluminum rotor

575V 60Hz – Foot mounted

HP	RPM	Frame	Voltage	Type	Part Number	List Price \$	Mult. Symb.	FL Amps	FL Nom Eff. (%)	Lbs	Stock
40	3600	324TS	575	GP100	1LE22213BA113AA3	3679	GP2	36.0	93.6	608	
40	1800	624T	575	GP100	1LE22213AB113AA3	3522	GP2	37.0	94.1	633	
40	1200	364T	575	GP100	1LE22213CC113AA3	6032	GP2	39.0	94.1	828	
40	900	365T	575	GP100	1LE22213CD213AA3	6436	GP2	51.0	91.7	950	
50	3600	326TS	575	GP100	1LE22213BA213AA3	4871	GP2	44.0	93.6	539	
50	1800	326T	575	GP100	1LE22213AB213AA3	4428	GP2	46.0	94.5	668	
50	1200	365T	575	GP100	1LE22213CC213AA3	7088	GP2	50.0	94.1	863	
60	3600	364TS	575	GP100	1LE22213DA113AA3	5675	GP2	54.5	93.6	780	
60	1800	364T	575	GP100	1LE22213CB113AA3	5625	GP2	54.5	95.0	880	
60	1200	404T	575	GP100	1LE22214AC113AA3	7354	GP2	59.0	94.5	1047	
75	3600	365TS	575	GP100	1LE22213DA213AA3	7091	GP2	69.0	94.1	888	
75	1800	365T	575	GP100	1LE22213CB213AA3	7096	GP2	68.0	95.4	950	
75	1200	405T	575	GP100	1LE22214AC213AA3	8615	GP2	75.0	94.5	1117	
100	3600	405TS	575	GP100	1LE22214BA213AA3	10347	GP2	87.0	94.1	1012	
100	1800	405T	575	GP100	1LE22214AB213AA3	9547	GP2	90.5	95.4	1107	
100	1200	444T	575	GP100	1LE22214CC113AA3	12821	GP2	94.0	95.0	1531	
125	3600	444TS	575	GP100	1LE22214DA113AA3	12831	GP2	110.0	95.0	1381	
125	1800	444T	575	GP100	1LE22214CB113AA3	11924	GP2	115.0	95.4	1527	
125	1800	444T	575	GP100	1LE22214EB113AA3	11924	GP2	115.0	95.4	1552	
125	1800	444TS	575	GP100	1LE22214DB113AA3	11924	GP2	144.0	95.4	1527	
125	1200	445T	575	GP100	1LE22214CC213AA3	14942	GP2	115.0	95.0	1702	
125	1200	445T	575	GP100	1LE22214EC213AA3	14942	GP2	115.0	95.0	1664	
125	1200	445TS	575	GP100	1LE22214DC213AA3	14942	GP2	164.0	95.0	1647	
150	3600	445TS	575	GP100	1LE22214DA213AA3	15967	GP2	170.0	95.0	1542	
150	1800	445T	575	GP100	1LE22214CB213AA3	14359	GP2	136.0	95.8	1865	
150	1800	445T	575	GP100	1LE22214EB213AA3	14359	GP2	136.0	95.8	1827	
150	1800	445TS	575	GP100	1LE22214DB213AA3	14359	GP2	172.0	95.8	1637	
150	1200	447T	575	GP100	1LE22214CC313AA3	17317	GP2	138.0	95.8	1960	
150	1200	447T	575	GP100	1LE22214EC313AA3	17317	GP2	138.0	95.8	1922	
150	1200	447TS	575	GP100	1LE22214DC313AA3	17317	GP2	216.0	95.8	1867	
200	3600	447TS	575	GP100	1LE22214DA313AA3	22239	GP2	228.0	95.4	2182	
200	1800	447T	575	GP100	1LE22214CB313AA3	19230	GP2	182.0	96.2	2245	
200	1800	447T	575	GP100	1LE22214EB313AA3	19230	GP2	182.0	96.2	2207	
200	1800	447TS	575	GP100	1LE22214DB313AA3	19230	GP2	227.0	96.2	2182	
200	1200	449T	575	GP100	1LE22214CC513AA3	23340	GP2	182.0	95.8	2301	
200	1200	449T	575	GP100	1LE22214EC513AA3	23340	GP2	182.0	95.8	2263	
200	1200	449TS	575	GP100	1LE22214DC513AA3	23340	GP2	182.0	95.8	2240	

NEMA Premium® is a certification mark of the National Electrical Manufacturers Association.
QuikMOD Delivery for stocked motors only.
Stock availability subject to change.

900 RPM Motors meet or exceed EPAct efficiency.
Prices and Specifications are subject to change without notice.
DOE#CC032A

General purpose motors

GP100 (Cast iron frame)

NEMA Premium®
Die cast aluminum rotor

575V 60Hz – C-face foot mounted

HP	RPM	Frame	Voltage	Type	Part Number	List Price \$	Mult. Symb.	FL Amps	FL Nom Eff. (%)	Lbs	Stock
1	3600	143TC	575	GP100	1LE22211AA113EA3	560	GP2	1.1	82.5	60	
1	1800	143TC	575	GP100	1LE22211AB213EA3	560	GP2	1.1	85.5	62	
1	1200	145TC	575	GP100	1LE22211AC213EA3	673	GP2	1.3	82.5	64	
1	900	182TC	575	GP100	1LE22211CD113EA3	838	GP2	1.6	74.0	86	
1.5	3600	143TC	575	GP100	1LE22211AA213EA3	573	GP2	1.6	84.0	56	
1.5	1800	145TC	575	GP100	1LE22211AB313EA3	608	GP2	1.7	86.5	66	
1.5	1200	182TC	575	GP100	1LE22211CC113EA3	756	GP2	1.9	87.5	93	
1.5	900	184TC	575	GP100	1LE22211CD313EA3	899	GP2	2.4	77.0	99	
2	3600	145TC	575	GP100	1LE22211AA313EA3	649	GP2	2.0	85.5	59	
2	1800	145TC	575	GP100	1LE22211AB413EA3	651	GP2	2.2	86.5	66	
2	1200	184TC	575	GP100	1LE22211CC313EA3	822	GP2	2.6	88.5	102	
2	900	213TC	575	GP100	1LE22212AD113EA3	1014	GP2	2.6	82.5	123	
3	3600	182TC	575	GP100	1LE22211CA113EA3	756	GP2	3.0	86.5	87	
3	1800	182TC	575	GP100	1LE22211CB113EA3	778	GP2	3.2	89.5	98	
3	1200	213TC	575	GP100	1LE22212AC113EA3	1019	GP2	3.4	89.5	144	
3	900	215TC	575	GP100	1LE22212AD213EA3	1395	GP2	3.8	84.0	138	
5	3600	184TC	575	GP100	1LE22211CA313EA3	943	GP2	4.8	88.5	98	
5	1800	184TC	575	GP100	1LE22211CB313EA3	866	GP2	5.2	89.5	104	
5	1200	215TC	575	GP100	1LE22212AC213EA3	1415	GP2	5.4	89.5	156	
5	900	254TC	575	GP100	1LE22212BD113EA3	2013	GP2	7.0	85.5	218	
7.5	3600	213TC	575	GP100	1LE22212AA113EA3	1192	GP2	7.0	89.5	148	
7.5	1800	213TC	575	GP100	1LE22212AB113EA3	1160	GP2	7.8	91.7	171	
7.5	1200	254TC	575	GP100	1LE22212BC113EA3	1864	GP2	8.0	91.0	262	
7.5	900	256TC	575	GP100	1LE22212BD213EA3	2026	GP2	10.4	85.5	250	
10	3600	215TC	575	GP100	1LE22212AA213EA3	1381	GP2	9.2	90.2	163	
10	1800	215TC	575	GP100	1LE22212AB213EA3	1381	GP2	10.0	91.7	177	
10	1200	256TC	575	GP100	1LE22212BC213EA3	2161	GP2	11.0	91.0	259	
15	3600	254TC	575	GP100	1LE22212AB113EA3	1814	GP2	14.0	91.0	258	
15	1800	254TC	575	GP100	1LE22212BB113EA3	1774	GP2	15.0	92.4	259	
20	3600	256TC	575	GP100	1LE22212BA213EA3	2199	GP2	18.0	91.0	293	
20	1800	256TC	575	GP100	1LE22212BB213EA3	2098	GP2	20.0	93.0	292	

NEMA Premium® is a certification mark of the National Electrical Manufacturers Association.
QuikMOD Delivery for stocked motors only.

Stock availability subject to change.
Prices and Specifications are subject to change without notice.
DOE#CC032A

General purpose motors

GP100 (Cast iron frame)

NEMA Premium®
Die cast aluminum rotor

575V 60Hz – C-face footless

HP	RPM	Frame	Voltage	Type	Part Number	List Price \$	Mult. Symb.	FL Amps	FL Nom Eff. (%)	Lbs	Stock
1	3600	143TC	575	GP100	1LE22211AA113GA3	544	GP2	1.1	82.5	60	
1	1800	143TC	575	GP100	1LE22211AB213GA3	544	GP2	1.1	85.5	62	
1	1200	145TC	575	GP100	1LE22211AC213GA3	653	GP2	1.3	82.5	64	
1	900	182TC	575	GP100	1LE22211CD113GA3	814	GP2	1.6	74.0	86	
1.5	3600	143TC	575	GP100	1LE22211AA213GA3	556	GP2	1.6	84.0	56	
1.5	1800	145TC	575	GP100	1LE22211AB313GA3	590	GP2	1.7	86.5	66	
1.5	1200	182TC	575	GP100	1LE22211CC113GA3	734	GP2	1.9	87.5	93	
1.5	900	184TC	575	GP100	1LE22211CD313GA3	873	GP2	2.4	77.0	99	
2	3600	145TC	575	GP100	1LE22211AA313GA3	630	GP2	2.0	85.5	59	
2	1800	145TC	575	GP100	1LE22211AB413GA3	632	GP2	2.2	86.5	66	
2	1200	184TC	575	GP100	1LE22211CC313GA3	798	GP2	2.6	88.5	102	
2	900	213TC	575	GP100	1LE22212AD113GA3	984	GP2	2.6	82.5	123	
3	3600	182TC	575	GP100	1LE22211CA113GA3	734	GP2	3.0	86.5	87	
3	1800	182TC	575	GP100	1LE22211CB113GA3	755	GP2	3.2	89.5	98	
3	1200	213TC	575	GP100	1LE22212AC113GA3	989	GP2	3.4	89.5	144	
3	900	215TC	575	GP100	1LE22212AD213GA3	1354	GP2	3.8	84.0	138	
5	3600	184TC	575	GP100	1LE22211CA313GA3	916	GP2	4.8	88.5	98	
5	1800	184TC	575	GP100	1LE22211CB313GA3	841	GP2	5.2	89.5	104	
5	1200	215TC	575	GP100	1LE22212AC213GA3	1409	GP2	5.4	89.5	156	
5	900	254TC	575	GP100	1LE22212BD113GA3	1954	GP2	7.0	85.5	218	
7.5	3600	213TC	575	GP100	1LE22212AA113GA3	1157	GP2	7.0	89.5	148	
7.5	1800	213TC	575	GP100	1LE22212AB113GA3	1126	GP2	7.8	91.7	171	
7.5	1200	254TC	575	GP100	1LE22212BC113GA3	1810	GP2	8.0	91.0	262	
7.5	900	256TC	575	GP100	1LE22212BD213GA3	1967	GP2	10.4	85.5	250	
10	3600	215TC	575	GP100	1LE22212AA213GA3	1341	GP2	9.2	90.2	163	
10	1800	215TC	575	GP100	1LE22212AB213GA3	1341	GP2	10.0	91.7	177	
10	1200	256TC	575	GP100	1LE22212BC213GA3	2098	GP2	11.0	91.0	259	
15	3600	254TC	575	GP100	1LE22212AB113GA3	1761	GP2	14.0	91.0	258	
15	1800	254TC	575	GP100	1LE22212BB113GA3	1722	GP2	15.0	92.4	259	
20	3600	256TC	575	GP100	1LE22212BA213GA3	2135	GP2	18.0	91.0	293	
20	1800	256TC	575	GP100	1LE22212BB213GA3	2037	GP2	20.0	93.0	292	

NEMA Premium® is a certification mark of the National Electrical Manufacturers Association.
QuikMOD Delivery for stocked motors only.
Shaded ratings indicated roller bearings.

Stock availability subject to change.
900 RPM Motors meet or exceed EPA efficiency.
Prices and Specifications are subject to change without notice.
DOE#CC032A

General purpose motors

GP100 (Cast iron frame)

NEMA Premium®
Die cast copper rotor

460V 60Hz – Foot mounted

HP	RPM	Frame	Voltage	Type	Part Number	List Price \$	Mult. Symb.	FL Amps	FL Nom Eff. (%)	Lbs	Stock
1	1800	143T	208-230/460	GP100	1LE22111AB214AA3	505	GP2	1.5	86.5	67	✓
1	1200	145T	208-230/460	GP100	1LE22111AC314AA3	628	GP2	1.6	84.0	67	✓
1.5	3600	143T	208-230/460	GP100	1LE22111AA214AA3	519	GP2	1.9	87.5	65	✓
1.5	1800	145T	208-230/460	GP100	1LE22111AB314AA3	556	GP2	2.1	87.5	67	✓
2.0	3600	145T	208-230/460	GP100	1LE22111AA314AA3	602	GP2	2.6	88.5	66	✓
2	1800	145T	208-230/460	GP100	1LE22111AB414AA3	604	GP2	2.8	87.5	68	✓
3	3600	182T	208-230/460	GP100	1LE22111CA114AA3	672	GP2	3.8	89.5	101	✓
3	1800	182T	208-230/460	GP100	1LE22111CB114AA3	695	GP2	4.0	90.2	105	✓
3	1200	213T	208-230/460	GP100	1LE22112AC114AA3	955	GP2	4.3	90.2	150	✓
5	3600	184T	208-230/460	GP100	1LE22111CA314AA3	874	GP2	6.2	90.2	103	✓
5	1800	184T	208-230/460	GP100	1LE22111CB314AA3	791	GP2	6.7	90.2	109	✓
5	1200	215T	208-230/460	GP100	1LE22112AC214AA3	1423	GP2	7.0	90.2	163	✓
7.5	3600	213T	208-230/460	GP100	1LE22112AA114AA3	1143	GP2	8.5	91.7	178	✓
7.5	1800	213T	208-230/460	GP100	1LE22112AB114AA3	1107	GP2	9.5	92.4	178	✓
7.5	1200	254T	208-230/460	GP100	1LE22112BC114AA3	1908	GP2	10.5	92.4	307	✓
10	3600	215T	208-230/460	GP100	1LE22112AA214AA3	1347	GP2	11.5	91.7	185	✓
10.0	1800	215T	208-230/460	GP100	1LE22112AB214AA3	1348	GP2	12.5	92.4	185	✓
10	1200	256T	208-230/460	GP100	1LE22112BC214AA3	2244	GP2	13.5	92.4	307	✓
15	3600	254T	208-230/460	GP100	1LE22112BA114AA3	1849	GP2	17.0	92.4	279	✓
15	1800	254T	208-230/460	GP100	1LE22112BB114AA3	1804	GP2	19.0	93.0	268	✓
20	3600	256T	208-230/460	GP100	1LE22112BA214AA3	2288	GP2	22.5	92.4	303	✓
20	1800	256T	208-230/460	GP100	1LE22112BB214AA3	2172	GP2	25.0	93.6	311	✓

Introduction

General Purpose Motors

Severe Duty Motors

Hazardous Duty Motors

Definite Purpose Motors

QuikMOD Detail

Custom Options Detail

Typical Performance Data

General Dimensions

Part Number Index

General purpose motors

GP100 (Cast iron frame)

NEMA Premium®
Die cast copper rotor

460V 60Hz – C-face footless

HP	RPM	Frame	Voltage	Type	Part Number	List Price \$	Mult. Symb.	FL Amps	FL Nom Eff. (%)	Lbs	Stock
1	1800	143TC	208-230/460	GP100	1LE22111AB214GA3	595	GP2	1.5	86.5	67	✓
1	1200	145TC	208-230/460	GP100	1LE22111AC314GA3	718	GP2	1.6	84.0	67	✓
1.5	3600	143TC	208-230/460	GP100	1LE22111AA214GA3	609	GP2	1.9	87.5	65	✓
1.5	1800	145TC	208-230/460	GP100	1LE22111AB314GA3	646	GP2	2.1	87.5	67	✓
2	3600	145TC	208-230/460	GP100	1LE22111AA314GA3	692	GP2	2.6	88.5	66	✓
2	1800	145TC	208-230/460	GP100	1LE22111AB414GA3	694	GP2	2.8	87.5	68	✓
3	3600	182TC	208-230/460	GP100	1LE22111CA114GA3	804	GP2	3.8	89.5	101	✓
3	1800	182TC	208-230/460	GP100	1LE22111CB114GA3	827	GP2	4.0	90.2	105	✓
3	1200	213TC	208-230/460	GP100	1LE22112AC114GA3	1087	GP2	4.3	90.2	150	✓
5	3600	184TC	208-230/460	GP100	1LE22111CA314GA3	1006	GP2	6.2	90.2	103	✓
5.0	1800	184TC	208-230/460	GP100	1LE22111CB314GA3	923	GP2	6.7	90.2	109	✓
5	1200	215TC	208-230/460	GP100	1LE22112AC214GA3	1555	GP2	7.0	90.2	163	✓
7.5	3600	213TC	208-230/460	GP100	1LE22112AA114GA3	1275	GP2	8.5	91.7	178	✓
7.5	1800	213TC	208-230/460	GP100	1LE22112AB114GA3	1239	GP2	9.5	92.4	178	✓
7.5	1200	254TC	208-230/460	GP100	1LE22112BC114GA3	2088	GP2	10.5	92.4	307	✓
10	3600	215TC	208-230/460	GP100	1LE22112AA214GA3	1479	GP2	11.5	91.7	185	✓
10	1800	215TC	208-230/460	GP100	1LE22112AB214GA3	1480	GP2	12.5	92.4	185	✓
10	1200	256TC	208-230/460	GP100	1LE22112BC214GA3	2424	GP2	13.5	92.4	307	✓
15	3600	254TC	208-230/460	GP100	1LE22112BA114GA3	2029	GP2	17.0	92.4	279	✓
15	1800	254TC	208-230/460	GP100	1LE22112BB114GA3	1984	GP2	19.0	93.0	268	✓
20	3600	256TC	208-230/460	GP100	1LE22112BA214GA3	2468	GP2	22.5	92.4	303	✓
20	1800	256TC	208-230/460	GP100	1LE22112BB214GA3	2352	GP2	25.0	93.6	311	✓

NEMA Premium® is a certification mark of the National Electrical Manufacturers Association.
QuikMOD Delivery for stocked motors only.

Stock availability subject to change.
Prices and Specifications are subject to change without notice.
DOE#CC 032A

General purpose motors

GP100 (Cast iron frame)

NEMA Premium®
Die cast copper rotor

575V 60Hz – Foot mounted

HP	RPM	Frame	Voltage	Type	Part Number	List Price \$	Mult. Symb.	FL Amps	FL Nom Eff. (%)	Lbs	Stock
1	1800	143T	575	GP100	1LE22111AB213AA3	505	GP2	1.2	86.5	67	
1	1200	145T	575	GP100	1LE22111AC313AA3	628	GP2	1.3	84.0	67	
1.5	3600	143T	575	GP100	1LE22111AA213AA3	519	GP2	1.5	87.5	65	
1.5	1800	145T	575	GP100	1LE22111AB313AA3	556	GP2	1.7	87.5	67	
2.0	3600	145T	575	GP100	1LE22111AA313AA3	602	GP2	2.1	88.5	66	
2	1800	145T	575	GP100	1LE22111AB413AA3	604	GP2	2.2	87.5	68	
3	3600	182T	575	GP100	1LE22111CA113AA3	672	GP2	3.0	89.5	101	
3	1800	182T	575	GP100	1LE22111CB113AA3	695	GP2	3.2	90.2	105	
3	1200	213T	575	GP100	1LE22112AC113AA3	955	GP2	3.4	90.2	150	
5	3600	184T	575	GP100	1LE22111CA313AA3	874	GP2	5.0	90.2	103	
5	1800	184T	575	GP100	1LE22111CB313AA3	791	GP2	5.4	90.2	109	
5	1200	215T	575	GP100	1LE22112AC213AA3	1423	GP2	5.6	90.2	163	
7.5	3600	213T	575	GP100	1LE22112AA113AA3	1143	GP2	6.8	91.7	178	
7.5	1800	213T	575	GP100	1LE22112AB113AA3	1107	GP2	7.6	92.4	178	
7.5	1200	254T	575	GP100	1LE22112BC113AA3	1908	GP2	8.4	92.4	307	
10	3600	215T	575	GP100	1LE22112AA213AA3	1347	GP2	9.2	91.7	185	
10.0	1800	215T	575	GP100	1LE22112AB213AA3	1348	GP2	10.0	92.4	185	
10	1200	256T	575	GP100	1LE22112BC213AA3	2244	GP2	11.0	92.4	307	
15	3600	254T	575	GP100	1LE22112BA113AA3	1849	GP2	13.5	92.4	279	
15	1800	254T	575	GP100	1LE22112BB113AA3	1804	GP2	15.0	93.0	268	
20	3600	256T	575	GP100	1LE22112BA213AA3	2288	GP2	18.0	92.4	303	
20	1800	256T	575	GP100	1LE22112BB213AA3	2172	GP2	20.0	93.6	311	

NEMA Premium® is a certification mark of the National Electrical Manufacturers Association.
QuikMOD Delivery for stocked motors only.

Stock availability subject to change.
Prices and Specifications are subject to change without notice.
DOE#CC 032A

General purpose motors

GP100 (Cast iron frame)

NEMA Premium®
Die cast copper rotor

575V 60Hz – C-face footless

HP	RPM	Frame	Voltage	Type	Part Number	List Price \$	Mult. Symb.	FL Amps	FL Nom Eff. (%)	Lbs	Stock
1	1800	143TC	575	GP100	1LE22111AB213GA3	595	GP2	1.2	86.5	67	
1	1200	145TC	575	GP100	1LE22111AC313GA3	718	GP2	1.3	84.0	67	
1.5	3600	143TC	575	GP100	1LE22111AA213GA3	609	GP2	1.5	87.5	65	
1.5	1800	145TC	575	GP100	1LE22111AB313GA3	646	GP2	1.7	87.5	67	
2	3600	145TC	575	GP100	1LE22111AA313GA3	692	GP2	2.1	88.5	66	
2	1800	145TC	575	GP100	1LE22111AB413GA3	694	GP2	2.2	87.5	68	
3	3600	182TC	575	GP100	1LE22111CA113GA3	804	GP2	3.0	89.5	101	
3	1800	182TC	575	GP100	1LE22111CB113GA3	827	GP2	3.2	90.2	105	
3	1200	213TC	575	GP100	1LE22112AC113GA3	1087	GP2	3.4	90.2	150	
5	3600	184TC	575	GP100	1LE22111CA313GA3	1006	GP2	5.0	90.2	103	
5.0	1800	184TC	575	GP100	1LE22111CB313GA3	923	GP2	5.4	90.2	109	
5	1200	215TC	575	GP100	1LE22112AC213GA3	1555	GP2	5.6	90.2	163	
7.5	3600	213TC	575	GP100	1LE22112AA113GA3	1275	GP2	6.8	91.7	178	
7.5	1800	213TC	575	GP100	1LE22112AB113GA3	1239	GP2	7.6	92.4	178	
7.5	1200	254TC	575	GP100	1LE22112BC113GA3	2088	GP2	8.4	92.4	307	
10	3600	215TC	575	GP100	1LE22112AA213GA3	1479	GP2	9.2	91.7	185	
10	1800	215TC	575	GP100	1LE22112AB213GA3	1480	GP2	10.0	92.4	185	
10	1200	256TC	575	GP100	1LE22112BC213GA3	2424	GP2	11.0	92.4	307	
15	3600	254TC	575	GP100	1LE22112BA113GA3	2029	GP2	13.5	92.4	279	
15	1800	254TC	575	GP100	1LE22112BB113GA3	1984	GP2	15.0	93.0	268	
20	3600	256TC	575	GP100	1LE22112BA213GA3	2468	GP2	18.0	92.4	303	
20	1800	256TC	575	GP100	1LE22112BB213GA3	2352	GP2	20.0	93.6	311	

NEMA Premium® is a certification mark of the National Electrical Manufacturers Association.
QuikMOD Delivery for stocked motors only.

Stock availability subject to change.
Prices and Specifications are subject to change without notice.
DOE#CC 032A

General purpose motors

GP100/GP100A

QuikMOD options Selection and pricing

			List Price \$										
Voltage		* 12 & 13	GP100A	GP100	140	180	210	250	280	320	360	400	440
Single Voltage	230V	11	140-250	HP 1-75	123	123	138	159	161	161	191	191	-
	460V	12	140-250	HP 1-75 Std. HP >75	123	123	138	159	161	161	191	191	-
	575V	13	140-250	140-440	nc	nc	nc	nc	nc	nc	nc	nc	nc
	208-230V/460V	14	Std	-	Std	Std	Std	Std	-	-	-	-	-
	230/460V	16	140-250	Std. HP 1-75	119	119	133	154	Std	Std	Std	Std	-
Special Voltage	200-600V	90	140-250	140-440	120	120	120	166	200	482	546	714	1187
Flanges and Bearing Housing		* 14	GP100A	GP100	140	180	210	250	280	320	360	400	440
Foot Mounted	C - Face 1)	E	-	280-440	-	-	-	-	870	941	1016	1261	1493
	D - Flange	F	140-250	140-250	284	361	396	774	-	-	-	-	-
	C - Face w/drip cover	N	-	280-440	-	-	-	-	1037	1236	1615	2099	2643
	D - Flange w/drip cover	P	140-250	140-250	442	519	555	948	-	-	-	-	-
Round Body	D - Flange	H	-	140-250	302	396	428	809	-	-	-	-	-
	D - Flange w/drip cover	M	-	140-250	527	637	661	1049	-	-	-	-	-
Protection		* 15	GP100A	GP100	140	180	210	250	280	320	360	400	440
Without thermal protection		A	Std	Std	Std	Std	Std	Std	Std	Std	Std	Std	Std
Thermostats Klixon Type	normally closed 1 x phase	G	-	140-140	229	229	229	229	229	306	306	459	566
Mounting		* 16	GP100A	GP100	140	180	210	250	280	320	360	400	440
Horizontal T. box top	F-3	0	140-250	-	125	125	125	125	--	--	--	--	--
Ceiling Mount - T. Box LHS	C-2	1	140-250	140-440	133	133	133	133	134	134	134	134	134
Horizontal - T. box RHS	F-2	2	140-250	140-180	283	283	-	-	-	-	-	-	-
Horizontal - T. Box LHS	F-1	3	Std	Std	nc	nc	nc	nc	nc	nc	nc	nc	nc
Vertical, Shaft down, T. Box RHS	W-6	4	-	140-440	191	191	191	191	191	191	191	191	202
Vertical, Shaft down, T. Box LHS	W-7	5	-	140-180	272	272	-	-	-	-	-	-	-
Vertical, Shaft up, T. Box LHS	W-5	6	140-250	140-180	283	283	-	-	-	-	-	-	-
Vertical, Shaft up, T. Box RHS	W-8	7	140-250	140-180	130	130	-	-	-	-	-	-	-
Ceiling Mount - T. Box RHS	C-1	8	140-250	140-180	283	283	-	-	-	-	-	-	-
Wall Mount (Additional code R1A required)	W-1	9-R1A	140-250	140-180	283	283	-	-	-	-	-	-	-
Wall Mount (Additional code R2A required)	W-2	9-R2A	140-250	140-440	129	129	129	129	130	130	130	130	130
Wall Mount (Additional code R3A required)	W-3	9-R3A	140-250	140-440	288	288	288	288	289	289	289	289	289
Wall Mount (Additional code R4A required)	W-4	9-R4A	140-250	140-180	127	127	-	-	-	-	-	-	-

* Position to be replaced in the part number by the chosen number or letter.
1) C-Face with feet for 440 frames, only available with ball bearings.

Prices and Specifications are subject to change without notice.
QuikMOD Delivery for stocked motors only.

General purpose motors

GP100/GP100A

QuikMOD options Selection and pricing

			List Price \$										
Winding		Code	GP100A	GP100	140	180	210	250	280	320	360	400	440
Ball Bearings	Sealed (except 2 pole, 360+ frames)	L68	–	140-440	229	229	229	458	458	458	572	916	916
Shaft and Seals		Code	GP100A	GP100	140	180	210	250	280	320	360	400	440
Slinger & O Ring	(4, 6, 8 Pole only)	L76	–	250-400	–	–	–	121	121	164	164	207	207
Terminal Box		Code	GP100A	GP100	140	180	210	250	280	320	360	400	440
Maint Terminal Box	Orientation 90 deg CCW	J84	–	140-140	134	134	134	134	134	134	134	134	134
	Orientation 180 deg CCW	J85	–	140-440	134	134	134	134	134	134	134	134	134
	Orientation 270 deg CCW	J86	–	140-440	134	134	134	134	134	134	134	134	134
Condulet 1)	To main Terminal Box	JX2	–	280-4401	–	–	–	–	251	251	251	251	251
Terminal Block	Burndy Hydent type YA	K80	140-250	140-440	170	170	170	170	171	171	171	171	171
	Terminal Block 3 lead only	K83	–	140-280	228	228	228	342	342	–	–	–	–
Leads	Special Cable Length	K85	–	–	–	–	–	–	–	–	–	–	–
	Sealed Leads 2)	K 89	–	140-440	cf	cf	cf	cf	cf	cf	cf	cf	cf
Frame		Code	GP100A	GP100	140	180	210	250	280	320	360	400	440
Rotational Arrow	Bidirectional (not for uni-directional)	K70	140-250	140-440	141	141	141	141	142	142	142	142	142
	Clockwise	K71	140-250	140-440	141	141	141	141	142	142	142	142	142
	Counterclockwise	K72	140-250	140-440	141	141	141	141	142	142	142	142	142
Hardware	Stainless steel (Includes T Drain SS)	L22	–	140-440	203	203	203	203	203	251	308	380	468
Lifting eyebolt		L20	Std	140	43	Std	Std	Std	Std	Std	Std	Std	Std
Grounding	Provision (tapped hole on frame w/bolt)	L27	–	140-440	142	142	142	164	164	186	186	186	261
Drain plugs	T Drain SS	L45	–	140-440	161	161	161	234	234	234	307	307	307
	Crouse Hinds UL Approved	L46	–	–	–	–	–	–	353	353	353	353	353
Fan	Bronze	M10	–	140-440	546	546	706	752	941	1137	1190	1325	1830
Nameplates	Additional nameplate (same information as original)	M21	140-250	140-440	163	163	163	163	164	164	164	164	164
	Division 2 nameplate	M22	–	–	322	322	322	322	322	322	322	322	322
	Derate - Service Factor Altitude and/or Ambient temp.	Y80	140-250	140-440	161	161	161	161	164	164	164	164	164
	Auxiliary nameplate Max. 40 Characters	Y82	140-440	140-440	161	161	161	161	164	164	164	164	164
Vertical Jacking	Provisions	M39	–	280-440	–	–	–	–	867	867	867	867	867
Drip Cover		K33	140-440	140-440	153	153	153	164	167	295	599	838	1550

1) Only for single voltage.

2) Condulet or auxiliary box to main terminal box, only available when ordered with cast iron terminal box.

K71, K72: Viewed from the ODE.

Prices and Specifications are subject to change without notice. QuikMOD Delivery for stocked motors only.

General purpose motors

GP100/GP100A

QuikMOD options Selection and pricing

			List Price \$										
Winding		Code	GP100A	GP100	140	180	210	250	280	320	360	400	440
Insulation	Fungus Protection	C07	140-440	140-440	212	212	212	310	310	310	537	537	537
Space Heaters	115V Single Phase	A40	140-250	140-440	352	352	352	352	528	528	528	612	612
	230V Single Phase	A41	140-250	140-440	352	352	352	352	528	528	528	612	612
Paint and Others		Code	GP100A	GP100	140	180	210	250	280	320	360	400	440
Packaging	Sea freight - Siemens Standard	B09	140-250	140-440	333	333	333	333	761	1133	1133	1506	1506
Software		Code	GP100A	GP100	140	180	210	250	280	320	360	400	440
Software	Documentation in Spanish	D05	140-250	140-440	nc	nc	nc	nc	nc	nc	nc	nc	nc
	Certification of Compliance	F00	140-250	140-440	296	296	296	296	299	299	299	299	299
	Standard Date Transmittal	F40	140-250	140-440	44	44	44	44	45	45	45	45	45
	Standard Dimension Sheet	F42	140-250	140-440	44	44	44	44	45	45	45	45	45
	Conduit Box Dimension Sheet	F44	140-250	140-440	44	44	44	44	45	45	45	45	45
	Wiring Diagram	F45	140-250	140-440	44	44	44	44	45	45	45	45	45
	IOM	F46	140-250	140-440	44	44	44	44	45	45	45	45	45
	Renewal Parts	F47	140-250	140-440	44	44	44	44	45	45	45	45	45
	Performance Data Sheets	F49	140-250	140-440	259	259	259	259	261	261	261	261	261
Typical Data	F03	140-250	140-440	740	740	740	740	747	747	747	747	747	
Tests		Code	GP100A	GP100	140	180	210	250	280	320	360	400	440
Test	Routine Test Report	F10	140-250	140-440	296	296	296	296	299	299	299	299	299
	Noise	F30	140-250	140-440	4144	4144	4144	4144	4183	4183	5378	5378	5378
	Noise (Witnessed)	F32	140-250	140-440	6512	6512	6512	6512	6573	7768	7768	7768	7768

Prices and Specifications are subject to change without notice.
QuikMOD Delivery for stocked motors only.

General purpose motors

GP100/GP100A

Custom options Selection and pricing

			List Price \$										
Voltage		*12 & 13	GP100A	GP100	140	180	210	250	280	320	360	400	440
Single Voltage	230V	11	140-250	HP 1-75	123	123	138	159	161	161	191	191	–
	460V	12	140-250	HP 1-75 Std. HP >75	123	123	138	159	161	161	191	191	–
	575V	13	140-250	140-440	nc	nc	nc	nc	nc	nc	nc	nc	nc
	208-230V/460V	14	Std	–	Std	Std	Std	Std	–	–	–	–	–
	230/460V	16	140-250	Std. HP 1-75	119	119	133	154	Std	Std	Std	Std	–
Wye Start - Delta Run	200V 60HZ	30	–	280-360	–	–	–	–	155	188	276	–	–
	230V 60Hz	31	–	280-360	--	--	--	--	155	188	276	–	–
	460V 60Hz	32	–	280-440	–	–	–	–	155	188	276	433	720
	575V 60HZ	33	–	280-440	–	–	–	–	155	188	276	433	720
Special Voltage	200-600V	90	140-250	140-440	120	120	120	166	200	482	546	714	1187
Flanges and Bearing Housing		* 14	GP100A	GP100	140	180	210	250	280	320	360	400	440
Foot Mounted	End shield	A	Std	Std	–	–	–	–	–	–	–	–	–
	C - Face 1)	E	140-250	140-440	206	249	283	625	870	941	1016	1261	1493
	D - Flange	F	140-250	140-440	284	361	396	774	1086	1269	1481	1976	2387
	C - Face w/drip cover	N	140-250	140-440	360	403	438	794	1035	1236	1615	2099	3043
	D - Flange w/drip cover	P	140-250	140-440	442	519	555	948	1253	1567	2087	2824	3955
Round Body	C - Face	G	140-250	140-250	226	282	316	676	946	1038	1327	1709	2351
	D - Flange	H	140-250	140-250	302	396	428	809	1224	1452	2005	2779	3896
	C - Face w/drip cover	L	140-250	140-250	378	434	469	840	1106	1324	1907	2522	3853
	D - Flange w/drip cover	M	140-250	140-250	527	637	661	1049	1475	1910	2973	4229	6589
Protection		*15	GP100A	GP100	140	180	210	250	280	320	360	400	440
Without thermal protection		A	Std	Std	nc	nc	nc	nc	nc	nc	nc	nc	nc
PTC Thermistors	3 embedded, 1 per phase	B	–	140-440	634	634	634	634	634	634	634	634	634
PTC Thermistors	6 embedded, 2 per phase	C	–	140-440	1268	1268	1268	1268	1268	1268	1268	1268	1268
KTY84-130	2 embedded	F	–	140-440	981	981	981	981	981	981	981	981	981
Thermostats Klix Type	normally closed 1 x phase	G	–	140-440	229	229	229	229	229	306	306	459	566
Thermocouples	Coil head	J	–	360-440	–	–	–	–	–	–	1814	1814	1814
Stator RTDs 100 Ω, 1 x Phase	Includes Aux. Box opposite to main	K	–	360-440	–	–	–	–	–	–	3053	3053	3053
Mounting		*16	GP100A	GP100	140	180	210	250	280	320	360	400	440
Horizontal T. box top	F-3	0	140-250	–	125	125	125	125	–	–	–	–	–
Ceiling Mount - T. Box LHS	C-2	1	140-250	140-440	133	133	133	133	134	134	134	134	134
Horizontal - T. box RH	F-2	2	140-250	140-440	283	283	283	283	284	284	284	284	284
Horizontal - T. Box LHS	F-1	3	Std	Std	–	–	–	–	–	–	–	–	–
Vertical, Shaft down, T. Box RHS	W-6	4	–	140-440	191	191	191	191	191	191	191	191	202
Vertical, Shaft down, T. Box LHS	W-7	5	–	140-440	272	272	272	272	272	272	272	272	288
Vertical, Shaft up, T. Box LHS	W-5	6	140-250	140-440	283	283	283	283	284	284	284	284	284
Vertical, Shaft up, T. Box RHS	W-8	7	140-250	140-440	130	130	130	130	131	131	131	131	130
Ceiling Mount - T. Box RHS	C-1	8	140-250	140-440	283	283	283	283	284	284	284	284	284
Wall Mount (Additional code R1A required)	W-1	9-R1A	140-250	140-440	283	283	283	283	284	284	284	284	284
Wall Mount (Additional code R2A required)	W-2	9-R2A	140-250	140-440	129	129	129	129	130	130	130	130	130
Wall Mount (Additional code R3A required)	W-3	9-R3A	140-250	140-440	288	288	288	288	289	289	289	289	289

* Position to be replaced in the part number by the chosen number or letters.
 1) C-Face with feet for 440 frames, only available with ball bearing.
 Prices and Specifications are subject to change without notice.

General purpose motors

GP100/GP100A

Custom options Selection and pricing

		List Price \$											
Bearings and Lubrication		Code	GP100A	GP100	140	180	210	250	280	320	360	400	440
Special Grease	Mobil 28	L57	–	140-440	485	895	895	895	895	1230	1230	1640	1640
	Mobilith SHC 100	L58	–	140-440	336	336	336	336	336	634	634	634	634
Grease Fitting	Pressure relief	L60	–	140-440	186	186	186	186	186	186	186	186	186
Ball Bearings	Sealed (except 2 pole, FS 360+)	L68	–	140-440	229	229	229	458	458	458	572	916	916
Bearing thermal Protection	100 Ω RTDs both ends Connection head and terminal block	A51	–	400-440	–	–	–	–	–	–	–	3347	3347
Shaft and Seals		Code	GP100A	GP100	140	180	210	250	280	320	360	400	440
CarbSteel	(C4140)	M57	–	–	–	–	–	–	–	–	–	4667	5004
Special shaft	Drive End	Y50	–	140-440	cf	cf	cf	cf	cf	cf	cf	cf	cf
Special shaft	Opposite Drive End	Y51	–	–	cf	cf	cf	cf	cf	cf	cf	cf	cf
NEMA Standard Short Shaft	Opposite Drive End	M53	–	140-250	132	132	132	176	272	392	443	490	542
NEMA Standard Long Shaft	Opposite Drive End	M52	–	140-250	133	133	133	179	272	392	443	490	555
Slinger & O Ring	(4, 6, 8 Pole only)	L76	–	250-440	88	88	88	121	121	164	164	207	207
Inpro Seal	Drive End	L79	–	140-440	489	489	510	595	616	649	744	914	999
Coupling	Customer Supplied	H10	–	140-440	485	485	485	485	485	485	716	716	716
Terminal Box		Code	GP100A	GP100	140	180	210	250	280	320	360	400	440
Maint Terminal Box	Cast Iron in lieu of Aluminum	L01	–	140-440	148	154	161	167	180	199	218	251	–
	Orientation 90° CCW	J84	–	140-440	134	134	134	134	134	134	134	134	134
	Orientation 180° CCW	J85	–	140-440	134	134	134	134	134	134	134	134	134
	Orientation 270° CCW	J86	–	140-440	134	134	134	134	134	134	134	134	134
Condulet 1)	Same side Main Terminal Box	JX0	–	280-440	–	–	–	–	235	235	235	235	235
	To main Terminal Box	JX2	–	140-440	251	251	251	251	251	251	251	251	251
	Opposite to Main Terminal box	JX4	–	180-440	244	235	235	235	235	235	235	235	235
Auxiliary box 1)	To main Terminal Box	JX3	–	280-440	–	–	–	–	415	415	415	415	415
	Opposite to Main Terminal box	JX5	–	280-440	–	–	–	–	443	443	443	443	443
Terminal Block	Burndy Hydent type YA	K80	140-250	140-440	170	170	170	170	171	171	171	171	171
	Terminal Block - 3 lead only	K83	–	140-280	228	228	228	342	342	518	518	–	–
Leads	Special Cable Length	K85	–	–	–	–	–	–	–	–	–	–	–
	Special Leads 2)	K89	–	140-440	cf	cf	cf	cf	cf	cf	cf	cf	cf
	Special Cable Length	Y85	–	140-440	228	228	228	228	228	228	304	304	304

1) Condulet or auxiliary box to main terminal box, only available when ordered with cast iron terminal box.

2) Only for single voltage.

Prices and Specifications are subject to change without notice.

General purpose motors

GP100/GP100A

Custom options Selection and pricing

			List Price										
Frame		Code	GP100A	GP100	140	180	210	250	280	320	360	400	440
Rotational Arrow	Bidirectional not for uni-directional)	K70	140-250	140-440	141	141	141	141	142	142	142	142	142
	Clockwise	K71	140-250	140-440	141	141	141	141	142	142	142	142	142
	Counterclockwise	K72	140-250	140-440	141	141	141	141	142	142	142	142	142
Hardware	Stainless steel (Includes T Drain SS)	L22	—	140-440	203	203	203	203	203	251	308	380	468
Lifting eyebolt		L20	Std	140	43	Std	Std	Std	Std	Std	Std	Std	Std
Grounding	Provision (tapped hole on the frame w/bolt)	L27	—	140-440	142	142	142	164	164	186	186	186	261
Drain plugs	T Drain SS	L45	—	140-440	161	161	161	234	234	234	307	307	307
	Crouse Hinds UL Approved	L46	—	—	—	—	—	—	353	353	353	353	353
Fan	Bronze	M10	—	140-440	546	546	706	752	941	1137	1190	1325	1830
Nameplates	Additional nameplate (Replica of original)	M21	140-250	140-440	163	163	163	163	164	164	164	164	164
	Auxiliary Nameplate Max. 40 Characters	Y82	140-440	140-440	161	161	161	161	164	164	164	164	164
Vertical Jacking	Provisions 280T-449T	M39	—	280-440	—	—	—	—	867	867	867	867	867
Winding		Code	GP100A	GP100	140	180	210	250	280	320	360	400	440
Insulation	Class H 1)	C00	—	140-440	122	122	122	157	261	343	438	634	904
	Vacuum Pressure Impregnation (VPI)	C01	—	140-440	1670	1670	1670	1670	2147	2147	2714	3430	3728
	Moisture/Powerhouse (extra dip & bake)	C04	—	140-440	160	160	160	208	345	447	567	798	1877
	Fungus Protection	C07	—	140-440	212	212	212	310	310	310	537	537	537
	Tropicalization Moisture (extra clip & bake, fungus spray)	C08	—	140-440	214	214	214	277	459	593	746	1036	1406
Paint and Others		Code	GP100A	GP100	140	180	210	250	280	320	360	400	440
Special Paint	2 Part Epoxy	N01	—	140-440	2744	2744	2744	2744	2744	2744	2744	2744	2744
Standard Prime	Only	N03	140-250	140-440	558	558	558	558	563	563	563	563	563
Standard Paint	Special color	Y60	140-250	140-440	554	554	554	554	557	557	557	557	557
Balance	Precision	M69	—	140-440	190	190	190	218	218	248	248	313	313
	Extra precision	M70	—	140-440	312	312	330	330	376	376	506	506	651
Packaging	Sea freight Siemens Standard	B09	140-250	140-440	333	333	333	333	761	1133	1133	1506	1506
	Special	B10	140-250	140-440	cf	cf	cf	cf	cf	cf	cf	cf	cf
Leads	Special Cable Length	K85	—	—	—	—	—	—	—	—	—	—	—
	Sealed Leads 2)	K89	—	140-440	cf	cf	cf	cf	cf	cf	cf	cf	cf
	Special Cable Length	Y85	—	140-440	228	228	228	228	228	228	304	304	304

1) Lead cable and thermal protectors leads are insulation class F.
K71, K72: Viewed from the ODE.
Prices and Specifications are subject to change without notice.

General purpose motors

GP100/GP100A

Custom options Selection and pricing

			List Price \$										
Software		Code	GP100A	GP100	140	180	210	250	280	320	360	400	440
Software	Documentation in Spanish	D05	140-250	140-440	nc	nc	nc	nc	nc	nc	nc	nc	nc
	Certification of Compliance	F00	140-250	140-440	296	296	296	296	299	299	299	299	299
	Standard Date Transmittal	F40	140-250	140-440	44	44	44	44	45	45	45	45	45
	Standard Dimension Sheet	F42	140-250	140-440	44	44	44	44	45	45	45	45	45
	Conduit Box Dimension Sheet	F44	140-250	140-440	44	44	44	44	45	45	45	45	45
	Wiring Diagram	F45	140-250	140-440	44	44	44	44	45	45	45	45	45
	IOM	F46	140-250	140-440	44	44	44	44	45	45	45	45	45
	Renewal Parts	F47	140-250	140-440	44	44	44	44	45	45	45	45	45
	Performance Data Sheets	F49	140-250	140-440	259	259	259	259	261	261	261	261	261
	Typical Data	F03	140-250	140-440	740	740	740	740	747	747	747	747	747
	Nonstandard Dimension Sheet	F40	140-250	140-440	518	518	518	518	523	523	523	523	523
	Customer Specific Data Sheets	F50	140-250	140-440	518	518	518	518	523	523	523	523	523
Special Calculated Date	F07	140-250	140-440	1184	1184	1184	1184	1195	1195	1195	1195	1195	
Tests		Code	GP100A	GP100	140	180	210	250	280	320	360	400	440
Test	Routine Test Report	F10	140-250	140-440	296	296	296	296	299	299	299	299	299
	Routine Test Report (Witnessed)	F12	140-250	140-440	1628	1628	1628	1628	1643	1972	2360	2569	2778
	Complete Test	F15	140-250	140-440	6749	6749	6749	6749	6812	7917	9680	11054	12010
	Complete Test (Witnessed)	F17	140-250	140-440	10123	10123	10123	10123	10217	11890	14519	16581	18015
	Calibration Test	F27	140-250	140-440	5062	5062	5062	5062	5109	5938	7260	8290	9007
	Electrical Duplicate (Routine Test)	F36	140-250	140-440	296	296	296	296	299	299	299	299	299
	Electrical Duplicate (Complete Test)	F37	140-250	140-440	444	444	444	444	448	448	448	448	448
	Routine Test + Vibration	F20	140-250	140-440	592	592	592	592	597	597	597	597	597
Routine Test + Vibration (Witnessed)	F22	140-250	140-440	3256	3256	3256	3256	3286	3286	3286	3286	3286	

Prices and Specifications are subject to change without notice.

Severe duty motors

SD100 (Cast iron frame)

SD100 severe duty TEFC motors are available in two configurations—they exceed NEMA Premium® efficiency with our exclusive, leading-edge, die cast copper rotor design (143T – 256T) or meet NEMA Premium® efficiency with our die cast aluminum rotor design. Either way, these motors significantly reduce operating costs and pay for themselves in a short time through energy savings. They are ideal for use in chemical processing, mining, foundry, pulp and paper, waste management and petro/chemical applications.

Performance specifications

- 1 to 400 HP
- 1.15 service factor, 40°C ambient
- 3600, 1800 or 1200 RPM
- 3-phase, 60 Hz; 208-230/460 and 575 volt operation (143T -256T)
- 3-phase, 60 Hz;

208-230/460 V	1 - 20 HP
460V	25 - 400 HP
575V	1 - 400HP
- Meets or exceeds NEMA Premium® efficiency standards (EPAAct efficiency for 900RPM Motors)
- Class F insulation, Class B temperature rise @ 1.0 S.F.
- NEMA design B (except as noted), continuous duty
- Meets IP54 & IEEE 45 marine duty
- 143T to S449T frame
- Adjustable speed drive capability

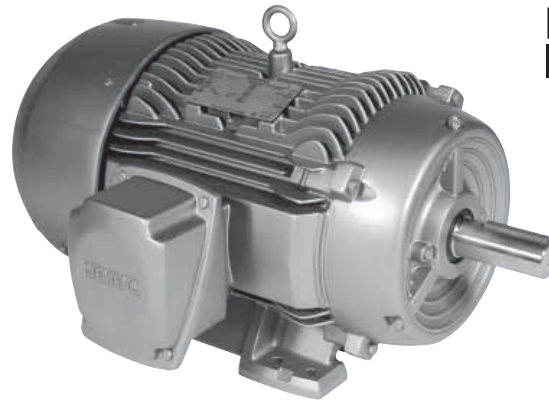
VT 20:1	FS 140 - 440
CT 4:1	FS 140 - 440
CT 10:1	FS 140 - 250 (Cu)

Features for long life

Frame and bearing housings – Cast iron construction for exceptional structural integrity and corrosion resistance, equipped with integrally cast feet. Condensation T-drains are provided. Lifting eyebolts are included with motors > 75 lbs.

Rotor – Each rotor assembly is dynamically balanced for extended bearing life, and includes a high strength carbon steel (C1045) shaft for maximum rotor performance.

Stator/Windings – Manufactured with premium electrical-grade steel laminations and copper electrical magnet wire to lower losses for improved efficiencies. A unique stator core design lowers flux density while increasing cooling capacity. Large conductor cross-section reduces resistance and lowers stator losses.



NEMA Premium

3 YEAR WARRANTY

Insulation – Proprietary inverter-rated Class F non-hygroscopic insulation system with NEMA Class B temperature rise @ 1.0SF provides an extra margin of thermal life. Varnish system application ensures maximum wire penetration to provide protection from moisture, corrosion and electrical shock. This insulation system meets or exceeds NEMA MG1-2006, Part 31 making all motors suitable for operation with adjustable frequency drives.

Cooling – A bi-directional, non-sparking fan is locked and keyed to the shaft. Its design reduces windage losses, improves air flow, reduces noise and provides dependable cooling. Cast iron fan covers are provided on all frame sizes.

Bearings – Regreasable, oversized double shielded (143T – 256T) / single shielded (284T – S449T) with cast iron inner caps on both ends of the motor. Alemite® grease fittings on the inlets and pipe plugs on the relief ports for ease of routine maintenance. All motors are equipped with drive end and opposite drive end shaft V-ring slingers for added bearing protection. Provisions for Inpro/Seal® bearing isolators are standard on both ends.

Lubrication – Specially formulated, high temperature tested, polyurea based grease,

Conduit box – Oversized cast iron construction that is larger than industry standards, diagonally-split, neoprene gasketed and rotatable in 90° increments for quick and easy connections. A ground lug is provided. Non-wicking, clearly and permanently marked leads.

Corrosion resistance – Cast iron construction, polycarbonate fan, zinc-plated hardware, epoxy enamel paint and stainless steel nameplate resist rust and corrosion.

Modifiable and custom – Siemens motors are available with a wide variety of QuikMOD modifications and custom designs to meet your specific motor needs.



NEMA Premium® is a certification mark of the National Electrical Manufacturers Association.

Severe duty motors

SD100 (Cast iron frame)

NEMA Premium®
Die cast aluminum rotor

460V 60Hz – Foot mounted

HP	RPM	Frame	Voltage	Type	Part Number	List Price \$	Mult. Symb.	FL Amps	FL Nom Eff. (%)	Lbs	Stock
1	3600	143T	208-230/460	SD100	1LE23211AA114AA3	574	SD2	1.4	82.5	75	✓
1	1800	143T	208-230/460	SD100	1LE23211AB214AA3	537	SD2	1.4	85.5	76	✓
1	1200	145T	208-230/460	SD100	1LE23211AC314AA3	663	SD2	1.6	82.5	77	✓
1	900	182T	208-230/460	SD100	1LE23211CD114AA3	900	SD3	2.1	74.0	106	✓
1.5	3600	143T	208-230/460	SD100	1LE23211AA214AA3	574	SD2	2.0	84.0	70	✓
1.5	1800	145T	208-230/460	SD100	1LE23211AB314AA3	595	SD2	2.1	86.5	80	✓
1.5	1200	182T	208-230/460	SD100	1LE23211CC114AA3	747	SD2	2.4	87.5	113	✓
1.5	900	184T	208-230/460	SD100	1LE23211CD314AA3	1014	SD3	3.0	77.0	119	✓
2	3600	145T	208-230/460	SD100	1LE23211AA314AA3	686	SD2	2.5	85.5	72	✓
2	1800	145T	208-230/460	SD100	1LE23211AB414AA3	655	SD2	2.8	86.5	80	✓
2	1200	184T	208-230/460	SD100	1LE23211CC314AA3	835	SD2	3.2	88.5	122	✓
2	900	213T	230/460	SD100	1LE23212AD114AA3	1175	SD3	3.3	82.5	143	✓
3	3600	182T	208-230/460	SD100	1LE23211CA114AA3	771	SD2	3.8	86.5	107	✓
3	1800	182T	208-230/460	SD100	1LE23211CB114AA3	726	SD2	4.0	89.5	118	✓
3	1200	213T	208-230/460	SD100	1LE23212AC114AA3	1017	SD2	4.3	89.5	164	✓
3	900	215T	230/460	SD100	1LE23212AD214AA3	1621	SD3	4.8	84.0	158	✓
5	3600	184T	208-230/460	SD100	1LE23211CA314AA3	955	SD2	6.0	88.5	118	✓
5	1800	184T	208-230/460	SD100	1LE23211CB314AA3	848	SD2	6.5	89.5	124	✓
5	1200	215T	208-230/460	SD100	1LE23212AC214AA3	1433	SD2	6.7	89.5	176	✓
5	900	254T	230/460	SD100	1LE23212BD114AA3	2279	SD3	8.8	85.5	247	✓
7.5	3600	213T	208-230/460	SD100	1LE23212AA114AA3	1121	SD2	8.8	89.5	160	✓
7.5	1800	213T	208-230/460	SD100	1LE23212AB114AA3	1117	SD2	9.7	91.7	191	✓
7.5	1200	254T	208-230/460	SD100	1LE23212BC114AA3	1852	SD2	10.0	91.0	292	✓
7.5	900	256T	230/460	SD100	1LE23212BD214AA3	2630	SD3	13.0	85.5	279	✓
10	3600	215T	208-230/460	SD100	1LE23212AA214AA3	1349	SD2	11.5	90.2	174	✓
10	1800	215T	208-230/460	SD100	1LE23212AB214AA3	1387	SD2	12.5	91.7	197	✓
10	1200	256T	208-230/460	SD100	1LE23212BC214AA3	2328	SD2	13.5	91.0	288	✓
10	900	284T	230/460	SD100	1LE23212CD116AA3	3511	SD3	15.0	91.0	375	✓
15	3600	254T	208-230/460	SD100	1LE23212BA114AA3	1853	SD2	17.5	91.0	287	✓
15	1800	254T	208-230/460	SD100	1LE23212BB114AA3	1826	SD2	19.0	92.4	289	✓
15	1200	284T	230/460	SD100	1LE23212CC116AA3	2954	SD2	21.0	91.7	400	✓
15	900	286T	230/460	SD100	1LE23212CD216AA3	4569	SD3	23.0	91.0	430	✓
20	3600	256T	208-230/460	SD100	1LE23212BA214AA3	2294	SD2	22.5	91.0	323	✓
20	1800	256T	208-230/460	SD100	1LE23212BB214AA3	2274	SD2	25.0	93.0	322	✓
20	1200	286T	230/460	SD100	1LE23212CC216AA3	3598	SD2	27.0	91.7	465	✓
20	900	324T	230/460	SD100	1LE23213AD116AA3	5585	SD3	31.0	91.0	567	✓
25	3600	284TS	460	SD100	1LE23212DA112AA3	2702	SD2	29.0	91.7	415	✓
25	1800	284TS	460	SD100	1LE23212DB112AA3	2587	SD2	30.0	93.6	445	✓
25	1800	284T	460	SD100	1LE23212CB112AA3	2587	SD2	30.0	93.6	445	✓
25	1200	324T	460	SD100	1LE23213AC112AA3	4235	SD2	33.0	93.0	640	✓
25	900	326T	460	SD100	1LE23213AD212AA3	6487	SD3	38.0	90.2	600	✓
30	3600	286TS	460	SD100	1LE23212DA212AA3	3155	SD2	34.0	91.7	430	✓
30	1800	286TS	460	SD100	1LE23212DB212AA3	3010	SD2	35.0	93.6	465	✓
30	1800	286T	460	SD100	1LE23212CB212AA3	3010	SD2	35.0	93.6	465	✓
30	1200	326T	460	SD100	1LE23213AC212AA3	5017	SD2	39.0	93.0	675	✓
30	900	364T	460	SD100	1LE23213CD112AA3	7676	SD3	47.0	91.0	800	✓

NEMA Premium® is a certification mark of the National Electrical Manufacturers Association.
QuikMOD Delivery for stocked motors only.

Stock availability subject to change.
Prices and Specifications are subject to change without notice.
DOE#CC032A

Severe duty motors

SD100 (Cast iron frame)

NEMA Premium®
Die cast aluminum rotor

460V 60Hz – Foot mounted

HP	RPM	Frame	Voltage	Type	Part Number	List Price \$	Mult. Symb.	FL Amps	FL Nom Eff. (%)	Lbs	Stock
40	3600	324TS	460	SD100	1LE23213BA112AA3	4163	SD2	45.0	93.6	575	✓
40	1800	324TS	460	SD100	1LE23213BB112AA3	3998	SD2	46.0	94.1	666	✓
40	1800	324T	460	SD100	1LE23213AB112AA3	3998	SD2	46.0	94.1	666	✓
40	1200	364T	460	SD100	1LE23213CC112AA3	6803	SD2	49.0	94.1	863	✓
40	900	365T	460	SD100	1LE23213CD212AA3	9283	SD3	63.0	91.7	875	
50	3600	326TS	460	SD100	1LE23213BA212AA3	5384	SD2	55.0	93.6	610	✓
50	1800	326TS	460	SD100	1LE23213BB212AA3	4910	SD2	58.0	94.5	700	✓
50	1800	326T	460	SD100	1LE23213AB212AA3	4910	SD2	58.0	94.5	700	✓
50	1200	365T	460	SD100	1LE23213CC212AA3	7810	SD2	62.0	94.1	900	✓
50	900	404T	460	SD100	1LE23214AD112AA3	11091	SD3	67.0	91.7	1135	✓
60	3600	364TS	460	SD100	1LE23213DA112AA3	7083	SD2	68.0	93.6	717	✓
60	1800	364TS	460	SD100	1LE23213DB112AA3	7043	SD2	68.0	95.0	930	✓
60	1800	364T	460	SD100	1LE23213CB112AA3	7043	SD2	68.0	95.0	930	✓
60	1200	404T	460	SD100	1LE23214AC112AA3	9150	SD2	74.0	94.5	1100	✓
60	900	405T	460	SD100	1LE23214AD212AA3	12668	SD3	78.0	91.7	1300	✓
75	3600	365TS	460	SD100	1LE23213DA212AA3	8894	SD2	86.0	94.1	815	✓
75	1800	365TS	460	SD100	1LE23213DB212AA3	8928	SD2	85.0	95.4	1000	✓
75	1800	365T	460	SD100	1LE23213CB212AA3	8928	SD2	85.0	95.4	1000	✓
75	1200	405T	460	SD100	1LE23214AC212AA3	10772	SD2	93.0	94.5	1150	✓
75	900	444T	460	SD100	1LE23214CD112AA3	16694	SD3	94.0	93.0	1625	✓
75	900	444T	460	SD100	1LE23214CD112AA3	16694	SD3	94.0	93.0	1625	
75	900	444TS	460	SD100	1LE23214CD112AA3	16694	SD3	94.0	93.0	1625	
100	3600	405TS	460	SD100	1LE23214BA212AA3	11919	SD2	108.0	94.1	1100	✓
100	1800	405TS	460	SD100	1LE23214BB212AA3	11032	SD2	113.0	95.4	1160	✓
100	1800	405T	460	SD100	1LE23214AB212AA3	11032	SD2	113.0	95.4	1160	✓
100	1200	444TS	460	SD100	1LE23214DC112AA3	14724	SD2	117.0	95.0	1545	✓
100	1200	444T	460	SD100	1LE23214CC112AA3	14724	SD2	117.0	95.0	1545	✓
100	1200	444T	460	SD100	1LE23214EC112AA3	14724	SD2	117.0	95.0	1545	✓
100	900	445T	460	SD100	1LE23214CD212AA3	20641	SD3	123.0	94.1	1900	✓
100	900	445T	460	SD100	1LE23214ED212AA3	20641	SD3	123.0	94.1	1900	
100	900	445TS	460	SD100	1LE23214DD212AA3	20641	SD3	123.0	94.1	1900	
125	3600	444TS	460	SD100	1LE23214DA112AA3	15574	SD2	138.0	95.0	1454	✓
125	1800	444TS	460	SD100	1LE23214DB112AA3	14518	SD2	143.0	95.4	1600	✓
125	1800	444T	460	SD100	1LE23214CB112AA3	14518	SD2	143.0	95.4	1600	✓
125	1800	444T	460	SD100	1LE23214EB112AA3	14518	SD2	143.0	95.4	1600	✓
125	1200	445TS	460	SD100	1LE23214DC212AA3	18079	SD2	144.0	95.0	1720	✓
125	1200	445T	460	SD100	1LE23214CC212AA3	18079	SD2	144.0	95.0	1720	✓
125	1200	445T	460	SD100	1LE23214EC212AA3	18079	SD2	144.0	95.0	1720	✓
125	900	447T	460	SD100	1LE23214CD312AA3	21897	SD3	152.0	93.6	2280	✓
125	900	447T	460	SD100	1LE23214ED312AA3	21897	SD3	152.0	93.6	2280	
125	900	447TS	460	SD100	1LE23214DD312AA3	21897	SD3	152.0	93.6	2280	

NEMA Premium® is a certification mark of the National Electrical Manufacturers Association.
QuikMOD Delivery for stocked motors only.
Shaded ratings indicated roller bearings.

Stock availability subject to change.
Prices and Specifications are subject to change without notice.
DOE#CC032A

Severe duty motors

SD100 (Cast iron frame)

NEMA Premium®
Die cast aluminum rotor

460V 60Hz – Foot mounted

HP	RPM	Frame	Voltage	Type	Part Number	List Price \$	Mult. Sumb.	FL Amps	FL Nom Eff. (%)	Lbs	Stock
150	3600	445TS	460	SD100	1LE23214DA212AA3	18709	SD2	164.0	95.0	1615	✓
150	1800	445TS	460	SD100	1LE23214DB212AA3	16878	SD2	170.0	95.8	1710	✓
150	1800	445T	460	SD100	1LE23214CB212AA3	16878	SD2	170.0	95.8	1710	✓
150	1800	445T	460	SD100	1LE23214EB212AA3	16878	SD2	170.0	95.8	1710	✓
150	1200	447TS	460	SD100	1LE23214DC312AA3	20228	SD2	172.0	95.8	1995	✓
150	1200	447T	460	SD100	1LE23214CC312AA3	20228	SD2	172.0	95.8	1995	✓
150	1200	447T	460	SD100	1LE23214EC312AA3	20228	SD2	172.0	95.8	1995	✓
150	900	447T	460	SD100	1LE23214CD412AA3	27964	SD3	186.0	94.1	2280	✓
150	900	447T	460	SD100	1LE23214ED412AA3	27964	SD3	186.0	94.1	2280	
200	3600	447TS	460	SD100	1LE23214DA312AA3	23666	SD2	216.0	95.4	1890	✓
200	1800	447TS	460	SD100	1LE23214DB312AA3	20529	SD2	226.0	96.2	2035	✓
200	1800	447T	460	SD100	1LE23214CB312AA3	20529	SD2	226.0	96.2	2035	✓
200	1800	447T	460	SD100	1LE23214EB312AA3	20529	SD2	226.0	96.2	2035	✓
200	1200	449TS	460	SD100	1LE23214DC512AA3	24761	SD2	227.0	95.8	2425	✓
200	1200	449T	460	SD100	1LE23214CC512AA3	24761	SD2	227.0	95.8	2425	✓
200	1200	449T	460	SD100	1LE23214EC512AA3	24761	SD2	227.0	95.8	2425	✓
200	900	S449LS	460	SD100	1LE23214FD112AA3	28374	SD3	241.0	94.5	3200	✓
200	900	S449SS	460	SD100	1LE23214GD112AA3	28374	SD3	241.0	94.5	3200	
250	3600	449TS	460	SD100	1LE23214DA512AA3	29849	SD2	265.0	95.8	2272	✓
250	1800	449TS 2)	460	SD100	1LE23214DB512AA3	25755	SD2	278.0	96.2	2425	✓
250	1800	449T 2)	460	SD100	1LE23214CB512AA3	25755	SD2	278.0	96.2	2425	✓
250	1800	449T 2)	460	SD100	1LE23214EB512AA3	25755	SD2	278.0	96.2	2425	✓
250	1200	449TS 2)	460	SD100	1LE23214DC612AA3	26944	SD2	281.0	95.8	2390	✓
250	1200	449T 2)	460	SD100	1LE23214CC612AA3	26944	SD2	281.0	95.8	2390	✓
250	1200	449T 2)	460	SD100	1LE23214EC612AA3	26944	SD2	281.0	95.8	2390	✓
250	900	S449LS	460	SD100	1LE23214FD212AA3	40437	SD3	303.0	94.5	3316	✓
300	3600	449TS	460	SD100	1LE23214DA612AA3	40858	SD2	325.0	95.8	2200	✓
300	1800	449TS 2)	460	SD100	1LE23214DB612AA3	30036	SD2	338.0	96.2	3130	✓
300	1800	449T 2)	460	SD100	1LE23214CB612AA3	30036	SD2	338.0	96.2	3130	✓
300	1800	449T 2)	460	SD100	1LE23214EB612AA3	30036	SD2	338.0	96.2	3130	✓
300	1200	S449LS 2)	460	SD100	1LE23214FC112AA3	55251	SD2	340.0	95.8	3240	✓
350	3600	S449SS 1)	460	SD100	1LE23214GA112AA3	41992	SD2	370.0	95.8	2890	✓
350	1800	S449SS	460	SD100	1LE23214GB212AA3	39003	SD2	390.0	96.2	3190	✓
350	1800	S449LS	460	SD100	1LE23214FB212AA3	39003	SD2	390.0	96.2	3190	✓
400	3600	S449SS 1)	460	SD100	1LE23214GA312AA3	52365	SD2	422.0	95.8	3065	✓
400	1800	S449SS	460	SD100	1LE23214GB312AA3	48649	SD2	454.0	96.2	3240	✓
400	1800	S449LS	460	SD100	1LE23214FB312AA3	48649	SD2	454.0	96.2	3240	✓

NEMA Premium® is a certification mark of the National Electrical Manufacturers Association.
QuikMOD Delivery for stocked motors only.
Shaded ratings indicated roller bearings.
Stock availability subject to change.

1) CW Rotation facing opposite DE
2) NEMA design A
Prices and Specifications are subject to change without notice.
DOE#CC032A

Severe duty motors

SD100 (Cast iron frame)

NEMA Premium®
Die cast aluminum rotor

460V 60Hz – C-face footless

HP	RPM	Frame	Voltage	Type	Part Number	List Price \$	Mult. Symb.	FL Amps	FL Nom Eff. (%)	Lbs	Stock
1	3600	143TC	208-230/460	SD100	1LE23211AA114GA3	664	SD2	1.4	82.5	75	✓
1	1800	143TC	208-230/460	SD100	1LE23211AB214GA3	627	SD2	1.4	85.5	76	✓
1	1200	145TC	208-230/460	SD100	1LE23211AC314GA3	753	SD2	1.6	82.5	77	✓
1	900	182TC	208-230/460	SD100	1LE23211CD114GA3	1032	SD3	2.1	74.0	106	✓
1.5	3600	143TC	208-230/460	SD100	1LE23211AA214GA3	664	SD2	2.0	84.0	70	✓
1.5	1800	145TC	208-230/460	SD100	1LE23211AB314GA3	685	SD2	2.1	86.5	80	✓
1.5	1200	182TC	208-230/460	SD100	1LE23211CC114GA3	879	SD2	2.4	87.5	113	✓
1.5	900	184TC	208-230/460	SD100	1LE23211CD314GA3	1146	SD3	3.0	77.0	119	✓
2	3600	145TC	208-230/460	SD100	1LE23211AA314GA3	776	SD2	2.5	85.5	72	✓
2	1800	145TC	208-230/460	SD100	1LE23211AB414GA3	745	SD2	2.8	86.5	80	✓
2	1200	184TC	208-230/460	SD100	1LE23211CC314GA3	967	SD2	3.2	88.5	122	✓
2	900	213TC	208-230/460	SD100	1LE23212AD114GA3	1307	SD3	3.3	82.5	143	✓
3	3600	182TC	208-230/460	SD100	1LE23211CA114GA3	903	SD2	3.8	86.5	107	✓
3	1800	182TC	208-230/460	SD100	1LE23211CB114GA3	858	SD2	4.0	89.5	118	✓
3	1200	213TC	208-230/460	SD100	1LE23212AC114GA3	1149	SD2	4.3	89.5	164	✓
3	900	215TC	208-230/460	SD100	1LE23212AD214GA3	1753	SD3	4.8	84.0	158	✓
5	3600	184TC	208-230/460	SD100	1LE23211CA314GA3	1087	SD2	6.0	88.5	118	✓
5	1800	184TC	208-230/460	SD100	1LE23211CB314GA3	980	SD2	6.5	89.5	124	✓
5	1200	215TC	208-230/460	SD100	1LE23212AC214GA3	1565	SD2	6.7	89.5	176	✓
5	900	254TC	208-230/460	SD100	1LE23212BD114GA3	2459	SD3	8.8	85.5	247	✓
7.5	3600	213TC	208-230/460	SD100	1LE23212AA114GA3	1253	SD2	8.8	89.5	160	✓
7.5	1800	213TC	208-230/460	SD100	1LE23212AB114GA3	1249	SD2	9.7	91.7	191	✓
7.5	1200	254TC	208-230/460	SD100	1LE23212BC114GA3	2032	SD2	10.0	91.0	292	✓
7.5	900	256TC	208-230/460	SD100	1LE23212BD214GA3	2810	SD3	13.0	85.5	279	✓
10	3600	215TC	208-230/460	SD100	1LE23212AA214GA3	1481	SD2	11.5	90.2	174	✓
10	1800	215TC	208-230/460	SD100	1LE23212AB214GA3	1519	SD2	12.5	91.7	197	✓
10	1200	256TC	208-230/460	SD100	1LE23212BC214GA3	2508	SD2	13.5	91.0	288	✓
15	3600	254TC	208-230/460	SD100	1LE23212BA114GA3	2033	SD2	17.5	91.0	287	✓
15	1800	254TC	208-230/460	SD100	1LE23212BB114GA3	2006	SD2	19.0	92.4	289	✓
20	3600	256TC	208-230/460	SD100	1LE23212BA214GA3	2474	SD2	22.5	91.0	323	✓
20	1800	256TC	208-230/460	SD100	1LE23212BB214GA3	2454	SD2	25.0	93.0	322	✓

NEMA Premium® is a certification mark of the National Electrical Manufacturers Association.
QuikMOD Delivery for stocked motors only.

Stock availability subject to change.
Prices and Specifications are subject to change without notice.
DOE#CC032A

Severe duty motors

SD100 (Cast iron frame)

NEMA Premium®
Die cast aluminum rotor

575V 60Hz – Foot mounted

HP	RPM	Frame	Voltage	Type	Part Number	List Price \$	Mult. Symb.	FL Amps	FL Nom Eff. (%)	Lbs	Stock
1	3600	143T	575	SD100	1LE23211AA113AA3	574	SD2	1.1	82.5	75	✓
1	1800	143T	575	SD100	1LE23211AB213AA3	537	SD2	1.1	85.5	76	✓
1	1200	145T	575	SD100	1LE23211AC313AA3	663	SD2	1.3	82.5	77	✓
1	900	182T	575	SD100	1LE23211CD113AA3	900	SD3	1.6	74.0	106	✓
1.5	3600	143T	575	SD100	1LE23211AA213AA3	574	SD2	1.6	84.0	70	✓
1.5	1800	145T	575	SD100	1LE23211AB313AA3	595	SD2	1.7	86.5	80	✓
1.5	1200	182T	575	SD100	1LE23211CC113AA3	747	SD2	1.9	87.5	113	✓
1.5	900	184T	575	SD100	1LE23211CD313AA3	1014	SD3	2.4	77.0	119	✓
2	3600	145T	575	SD100	1LE23211AA313AA3	686	SD2	2.0	85.5	72	✓
2	1800	145T	575	SD100	1LE23211AB413AA3	655	SD2	2.2	86.5	80	✓
2	1200	184T	575	SD100	1LE23211CC313AA3	835	SD2	2.6	88.5	122	✓
2	900	213T	575	SD100	1LE23212AD113AA3	1175	SD3	2.6	82.5	143	✓
3	3600	182T	575	SD100	1LE23211CA113AA3	771	SD2	3.0	86.5	107	✓
3	1800	182T	575	SD100	1LE23211CB113AA3	726	SD2	3.2	89.5	118	✓
3	1200	213T	575	SD100	1LE23212AC113AA3	1017	SD2	3.4	89.5	164	✓
3	900	215T	575	SD100	1LE23212AD213AA3	1621	SD3	3.8	84.0	158	✓
5	3600	184T	575	SD100	1LE23211CA313AA3	955	SD2	4.8	88.5	118	✓
5	1800	184T	575	SD100	1LE23211CB313AA3	848	SD2	5.2	89.5	124	✓
5	1200	215T	575	SD100	1LE23212AC213AA3	1433	SD2	5.4	89.5	176	✓
5	900	254T	575	SD100	1LE23212BD113AA3	2279	SD3	7.0	85.5	247	✓
7.5	3600	213T	575	SD100	1LE23212AA113AA3	1121	SD2	7.0	89.5	160	✓
7.5	1800	213T	575	SD100	1LE23212AB113AA3	1117	SD2	7.8	91.7	191	✓
7.5	1200	254T	575	SD100	1LE23212BC113AA3	1852	SD2	8.0	91.0	292	✓
7.5	900	256T	575	SD100	1LE23212BD213AA3	2630	SD3	10.4	85.5	279	✓
10	3600	215T	575	SD100	1LE23212AA213AA3	1349	SD2	9.2	90.2	174	✓
10	1800	215T	575	SD100	1LE23212AB213AA3	1387	SD2	10.0	91.7	197	✓
10	1200	256T	575	SD100	1LE23212BC213AA3	2328	SD2	11.0	91.0	288	✓
10	900	284T	575	SD100	1LE23212CD113AA3	3511	SD3	12.0	91.0	375	
15	3600	254T	575	SD100	1LE23212BA113AA3	1853	SD2	14.0	91.0	287	✓
15	1800	254T	575	SD100	1LE23212BB113AA3	1826	SD2	15.0	92.4	289	✓
15	1200	284T	575	SD100	1LE23212CC113AA3	2954	SD2	17.0	91.7	400	✓
15	900	286T	575	SD100	1LE23212CD213AA3	4569	SD3	18.4	91.0	430	
20	3600	256T	575	SD100	1LE23212BA213AA3	2294	SD2	18.0	91.0	323	✓
20	1800	256T	575	SD100	1LE23212BB213AA3	2274	SD2	20.0	93.0	322	✓
20	1200	286T	575	SD100	1LE23212CC213AA3	3598	SD2	21.5	91.7	465	✓
20	900	324T	575	SD100	1LE23213AD113AA3	5585	SD3	24.8	91.0	567	
25	3600	284TS	575	SD100	1LE23212DA113AA3	2702	SD2	23.0	91.7	415	✓
25	1800	284TS	575	SD100	1LE23212DB113AA3	2587	SD2	24.0	93.6	445	
25	1800	284T	575	SD100	1LE23212CB113AA3	2587	SD2	24.0	93.6	445	✓
25	1200	324T	575	SD100	1LE23213AC113AA3	4235	SD2	26.0	93.0	640	
25	900	326T	575	SD100	1LE23213AD213AA3	6487	SD3	30.4	90.2	600	
30	3600	286TS	575	SD100	1LE23212DA213AA3	3155	SD2	27.0	91.7	430	✓
30	1800	286TS	575	SD100	1LE23212DB213AA3	3010	SD2	28.0	93.6	465	
30	1800	286T	575	SD100	1LE23212CB213AA3	3010	SD2	28.0	93.6	465	✓
30	1200	326T	575	SD100	1LE23213AC213AA3	5017	SD2	31.0	93.0	675	
30	900	364T	575	SD100	1LE23213CD113AA3	7676	SD3	37.6	91.0	800	

NEMA Premium® is a certification mark of the National Electrical Manufacturers Association.
QuikMOD Delivery for stocked motors only.

Stock availability subject to change.
Prices and Specifications are subject to change without notice.
Stock availability subject to change.

Severe duty motors

SD100 (Cast iron frame)

NEMA Premium®
Die cast aluminum rotor

575V 60Hz – Foot mounted

HP	RPM	Frame	Voltage	Type	Part Number	List Price \$	Mult. Symb.	FL Amps	FL Nom Eff. (%)	Lbs	Stock
40	3600	324TS	575	SD100	1LE23213BA113AA3	4163	SD2	36.0	93.6	575	✓
40	1800	324TS	575	SD100	1LE23213BB113AA3	3998	SD2	37.0	94.1	666	✓
40	1800	324T	575	SD100	1LE23213AB113AA3	3998	SD2	37.0	94.1	666	✓
40	1200	364T	575	SD100	1LE23213CC113AA3	6803	SD2	39.0	94.1	863	✓
40	900	365T	575	SD100	1LE23213CD213AA3	9283	SD3	50.4	91.7	875	
50	3600	326TS	575	SD100	1LE23213BA213AA3	5384	SD2	44.0	93.6	610	✓
50	1800	326TS	575	SD100	1LE23213BB213AA3	4910	SD2	46.0	94.5	700	
50	1800	326T	575	SD100	1LE23213AB213AA3	4910	SD2	46.0	94.5	700	✓
50	1200	365T	575	SD100	1LE23213CC213AA3	7810	SD2	50.0	94.1	900	✓
50	900	404T	575	SD100	1LE23214AD113AA3	1109	SD3	53.6	91.7	1135	
60	3600	364TS	575	SD100	1LE23213DA113AA3	7083	SD2	54.5	93.6	717	✓
60	1800	364TS	575	SD100	1LE23213DB113AA3	7043	SD2	54.5	95.0	930	
60	1800	364T	575	SD100	1LE23213CB113AA3	7043	SD2	54.5	95.0	930	✓
60	1200	404T	575	SD100	1LE23214AC113AA3	9150	SD2	59.0	94.5	1100	
60	900	405T	575	SD100	1LE23214AD213AA3	12668	SD3	62.4	91.7	1300	
75	3600	365TS	575	SD100	1LE23213DA213AA3	8894	SD2	68.8	94.1	815	✓
75	1800	365TS	575	SD100	1LE23213DB213AA3	8928	SD2	68.0	95.4	1000	
75	1800	365T	575	SD100	1LE23213CB213AA3	8928	SD2	68.0	95.4	1000	✓
75	1200	405T	575	SD100	1LE23214AC213AA3	10772	SD2	75.0	94.5	1150	
75	900	444T	575	SD100	1LE23214CD113AA3	16694	SD3	75.2	93.0	1625	
75	900	444T	575	SD100	1LE23214ED113AA3	16694	SD3	75.2	93.0	1625	
75	900	444T	575	SD100	1LE23214DD113AA3	16694	SD3	75.2	93.0	1625	
100	3600	405TS	575	SD100	1LE23214BA213AA3	11919	SD2	87.0	94.1	1100	
100	1800	405TS	575	SD100	1LE23214BB213AA3	11032	SD2	90.5	95.4	1160	
100	1800	405T	575	SD100	1LE23214AB213AA3	11032	SD2	90.5	95.4	1160	✓
100	1200	444TS	575	SD100	1LE23214DC113AA3	14724	SD2	94.0	95.0	1545	
100	1200	444T	575	SD100	1LE23214CC113AA3	14724	SD2	94.0	95.0	1545	
100	1200	444T	575	SD100	1LE23214EC113AA3	14724	SD2	94.0	95.0	1545	
100	900	445T	575	SD100	1LE23214CD213AA3	20641	SD3	98.4	94.1	1900	
100	900	445T	575	SD100	1LE23214ED213AA3	20641	SD3	98.4	94.1	1900	
100	900	445TS	575	SD100	1LE23214DD213AA3	20641	SD3	98.4	94.1	1900	
125	3600	444TS	575	SD100	1LE23214DA113AA3	15574	SD2	110.0	95.0	1454	
125	1800	444TS	575	SD100	1LE23214DB113AA3	14518	SD2	115.0	95.4	1600	
125	1800	444T	575	SD100	1LE23214CB113AA3	14518	SD2	115.0	95.4	1600	✓
125	1800	444T	575	SD100	1LE23214EB113AA3	14518	SD2	115.0	95.4	1600	✓
125	1200	445TS	575	SD100	1LE23214DC213AA3	18079	SD2	115.0	95.0	1720	
125	1200	445T	575	SD100	1LE23214CC213AA3	18079	SD2	115.0	95.0	1720	
125	1200	445T	575	SD100	1LE23214EC213AA3	18079	SD2	115.0	95.0	1720	
125	900	447T	575	SD100	1LE23214CD313AA3	21897	SD3	121.6	93.6	2280	
125	900	447T	575	SD100	1LE23214ED313AA3	21897	SD3	121.6	93.6	2280	
125	900	447TS	575	SD100	1LE23214DD313AA3	21897	SD3	121.6	93.6	2280	

NEMA Premium® is a certification mark of the National Electrical Manufacturers Association.
QuikMOD Delivery for stocked motors only.
Shaded ratings indicated roller bearings.

Stock availability subject to change.
Prices and Specifications are subject to change without notice.
DOE#CC032A

- Introduction
- General Purpose Motors
- Severe Duty Motors
- Hazardous Duty Motors
- Definite Purpose Motors
- QuikMOD Detail
- Custom Options Detail
- Typical Performance Data
- General Dimensions
- Part Number Index

Severe duty motors

SD100 (Cast iron frame)

NEMA Premium®
Die cast aluminum rotor

575V 60Hz – Foot mounted

HP	RPM	Frame	Voltage	Type	Part Number	List Price \$	Mult. Symb.	FL Amps	FL Nom Eff. (%)	Lbs	Stock
150	3600	445TS	575	SD100	1LE23214DA213AA3	18709	SD2	131.0	95.0	1615	
150	1800	445TS	575	SD100	1LE23214DB213AA3	16878	SD2	136.0	95.8	1710	✓
150	1800	445T	575	SD100	1LE23214CB213AA3	16878	SD2	136.0	95.8	1710	✓
150	1800	445T	575	SD100	1LE23214EB213AA3	16878	SD2	136.0	95.8	1710	✓
150	1200	447TS	575	SD100	1LE23214DC313AA3	20228	SD2	138.0	95.8	1995	
150	1200	447T	575	SD100	1LE23214CC313AA3	20228	SD2	138.0	95.8	1995	
150	1200	447T	575	SD100	1LE23214EC313AA3	20228	SD2	138.0	95.8	1995	
150	900	447T	575	SD100	1LE23214CD413AA3	27964	SD3	148.8	94.1	2280	
150	900	447T	575	SD100	1LE23214ED413AA3	27964	SD3	148.8	94.1	2280	
150	900	447TS	575	SD100	1LE23214DD413AA3	27964	SD3	148.8	94.1	2280	
200	3600	447TS	575	SD100	1LE23214DA313AA3	23666	SD2	173.0	95.4	1890	
200	1800	447TS	575	SD100	1LE23214DB313AA3	20529	SD2	181.0	96.2	2035	✓
200	1800	447T	575	SD100	1LE23214CB313AA3	20529	SD2	181.0	96.2	2035	✓
200	1800	447T	575	SD100	1LE23214EB313AA3	20529	SD2	181.0	96.2	2035	✓
200	1200	449TS	575	SD100	1LE23214DC513AA3	24761	SD2	182.0	95.8	2425	
200	1200	449T	575	SD100	1LE23214CC513AA3	24761	SD2	182.0	95.8	2425	
200	1200	449T	575	SD100	1LE23214EC513AA3	24761	SD2	182.0	95.8	2425	
200	900	S449LS	575	SD100	1LE23214FD113AA3	28374	SD3	192.8	94.5	3200	
200	900	S449SS	575	SD100	1LE23214GD113AA3	28374	SD3	192.8	94.5	3200	
250	3600	449TS	575	SD100	1LE23214DA513AA3	29849	SD2	212.0	95.8	2272	
250	1800	449TS 2)	575	SD100	1LE23214DB513AA3	25755	SD2	223.0	96.2	2425	
250	1800	449T 2)	575	SD100	1LE23214CB513AA3	25755	SD2	223.0	96.2	2425	
250	1800	449T 2)	575	SD100	1LE23214EB513AA3	25755	SD2	223.0	96.2	2425	
250	1200	449TS 2)	575	SD100	1LE23214DC613AA3	26944	SD2	225.0	95.8	2390	
250	1200	449T 2)	575	SD100	1LE23214CC613AA3	26944	SD2	225.0	95.8	2390	
250	1200	449T 2)	575	SD100	1LE23214EC613AA3	26944	SD2	225.0	95.8	2390	
250	900	S449LS	575	SD100	1LE23214FD213AA3	40437	SD3	303.0	94.5	5216	
300	3600	449TS	575	SD100	1LE23214DA613AA3	40858	SD2	260.0	95.8	2200	
300	1800	449TS 2)	575	SD100	1LE23214DB613AA3	30036	SD2	270.0	96.2	3130	
300	1800	449T 2)	575	SD100	1LE23214CB613AA3	30036	SD2	270.0	96.2	3130	
300	1800	449T 2)	575	SD100	1LE23214EB613AA3	30036	SD2	270.0	96.2	3130	
300	1200	S449LS 2)	575	SD100	1LE23214FC113AA3	55251	SD2	272.0	95.8	3240	
350	3600	S449SS 1)	575	SD100	1LE23214GA113AA3	41992	SD2	296.0	95.8	2890	
350	1800	S449SS	575	SD100	1LE23214GB213AA3	39003	SD2	312.0	96.2	3190	
350	1800	S449LS	575	SD100	1LE23214FB213AA3	39003	SD2	312.0	96.2	3190	
400	3600	S449SS 1)	575	SD100	1LE23214GA313AA3	52365	SD2	338.0	95.8	3065	
400	1800	S449SS	575	SD100	1LE23214GB313AA3	48649	SD2	363.0	96.2	3240	
400	1800	S449LS	575	SD100	1LE23214FB313AA3	48649	SD2	363.0	96.2	3240	

NEMA Premium® is a certification mark of the National Electrical Manufacturers Association.
QuikMOD Delivery for stocked motors only.
Shaded ratings indicated roller bearings.
Stock availability subject to change.

1) CW Rotation facing opposite DE
2) NEMA design A
Prices and Specifications are subject to change without notice.
DOE#CC032A

Severe duty motors

SD100 (Cast iron frame)

NEMA Premium®
Die cast aluminum rotor

575V 60Hz – C-Face Footless

HP	RPM	Frame	Voltage	Type	Part Number	List Price \$	Mult. Symb.	FL Amps	FL Nom Eff. (%)	Lbs	Stock
1	3600	143TC	575	SD100	1LE23211AA113GA3	664	SD2	1.1	82.5	75	
1	1800	143TC	575	SD100	1LE23211AB213GA3	627	SD2	1.1	85.5	76	
1	1200	145TC	575	SD100	1LE23211AC313GA3	753	SD2	1.3	82.5	77	
1	900	182TC	575	SF100	1LE23211CD113GA3	1032	SD3	2.1	74.0	106	
1.5	3600	143TC	575	SD100	1LE23211AA213GA3	664	SD2	1.6	84.0	70	
1.5	1800	145TC	575	SD100	1LE23211AB313GA3	685	SD2	1.7	86.5	80	
1.5	1200	182TC	575	SD100	1LE23211CC113GA3	879	SD2	1.9	87.5	113	
1.5	900	184TC	575	SD100	1LE23211CD313GA3	1146	SD3	3.0	77.0	119	
2	3600	145TC	575	SD100	1LE23211AA313GA3	776	SD2	2.0	85.5	72	
2	1800	145TC	575	SD100	1LE23211AB413GA3	745	SD2	2.2	86.5	80	
2	1200	184TC	575	SD100	1LE23211CC313GA3	967	SD2	2.6	88.5	122	
2	900	213TC	575	SD100	1LE23212AD113GA3	1307	SD3	3.3	82.5	143	
3	3600	182TC	575	SD100	1LE23211CA113GA3	903	SD2	3.0	86.5	107	
3	1800	182TC	575	SD100	1LE23211CB113GA3	858	SD2	3.2	89.5	118	
3	1200	213TC	575	SD100	1LE23212AC113GA3	1149	SD2	3.4	89.5	164	
3	900	215TC	575	SD100	1LE23212AD213GA3	1753	SD3	4.8	84.0	158	
5	3600	184TC	575	SD100	1LE23211CA313GA3	1087	SD2	4.8	88.5	118	
5	1800	184TC	575	SD100	1LE23211CB313GA3	980	SD2	5.2	89.5	124	
5	1200	215TC	575	SD100	1LE23212AC213GA3	1565	SD2	5.4	89.5	176	
5	900	254TC	575	SD100	1LE23212BD113GA3	2459	SD3	8.8	85.5	247	
7.5	3600	213TC	575	SD100	1LE23212AA113GA3	1253	SD2	7.0	89.5	160	
7.5	1800	213TC	575	SD100	1LE23212AB113GA3	1249	SD2	7.8	91.7	191	
7.5	1200	254TC	575	SD100	1LE23212BC113GA3	2032	SD2	8.0	91.0	292	
7.5	900	256TC	575	SD100	1LE23212BD213GA3	2810	SD3	13.0	85.5	279	
10	3600	215TC	575	SD100	1LE23212AA213GA3	1481	SD2	9.2	90.2	174	
10	1800	215TC	575	SD100	1LE23212AB213GA3	1519	SD2	10.0	91.7	197	
10	1200	256TC	575	SD100	1LE23212BC213GA3	2508	SD2	11.0	91.0	288	
15	3600	254TC	575	SD100	1LE23212BA113GA3	2033	SD2	14.0	91.0	287	
15	1800	254TC	575	SD100	1LE23212BB113GA3	2006	SD2	15.0	92.4	289	
20	3600	256TC	575	SD100	1LE23212BA213GA3	2474	SD2	18.0	91.0	323	
20	1800	256TC	575	SD100	1LE23212BB213GA3	2454	SD2	20.0	93.0	322	

NEMA Premium® is a certification mark of the National Electrical Manufacturers Association.
QuikMOD Delivery for stocked motors only.

Stock availability subject to change.
Prices and Specifications are subject to change without notice.
DOE#CC032A

Severe duty motors

SD100 (Cast iron frame)

NEMA Premium®
Die cast copper rotor

460V 60Hz – Foot mounted

HP	RPM	Frame	Voltage	Type	Part Number	List Price \$	Mult. Symb.	FL Amps	FL Nom Eff. (%)	Lbs	Stock
1	1800	143T	208-230/460	SD100	1LE23111AB214AA3	627	SD2	1.5	86.5	81	✓
1	1200	145T	208-230/460	SD100	1LE23111AC314AA3	780	SD2	1.6	84.0	81	✓
1.5	3600	143T	208-230/460	SD100	1LE23111AA214AA3	671	SD2	1.9	87.5	80	✓
1.5	1800	145T	208-230/460	SD100	1LE23111AB314AA3	695	SD2	2.1	87.5	81	✓
2	3600	145T	208-230/460	SD100	1LE23111AA314AA3	802	SD2	2.6	88.5	80	✓
2	1800	145T	208-230/460	SD100	1LE23111AB414AA3	765	SD2	2.8	87.5	81	✓
3	3600	182T	208-230/460	SD100	1LE23111CA114AA3	903	SD2	3.8	89.5	121	✓
3	1800	182T	208-230/460	SD100	1LE23111CB114AA3	847	SD2	4.0	90.2	125	✓
3	1200	213T	208-230/460	SD100	1LE23112AC114AA3	1198	SD2	4.3	90.2	170	✓
5	3600	184T	208-230/460	SD100	1LE23111CA314AA3	1117	SD2	6.2	90.2	123	✓
5	1800	184T	208-230/460	SD100	1LE23111CB314AA3	990	SD2	6.7	90.2	129	✓
5	1200	215T	208-230/460	SD100	1LE23112AC214AA3	1688	SD2	7.0	90.2	184	✓
7.5	3600	213T	208-230/460	SD100	1LE23112AA114AA3	1312	SD2	8.5	91.7	191	✓
7.5	1800	213T	208-230/460	SD100	1LE23112AB114AA3	1304	SD2	9.5	92.4	198	✓
7.5	1200	254T	208-230/460	SD100	1LE23112BC114AA3	2181	SD2	10.5	92.4	336	✓
10	3600	215T	208-230/460	SD100	1LE23112AA214AA3	1579	SD2	11.5	91.7	196	✓
10	1800	215T	208-230/460	SD100	1LE23112AB214AA3	1617	SD2	12.5	92.4	206	✓
10	1200	256T	208-230/460	SD100	1LE23112BC214AA3	2742	SD2	13.5	92.4	337	✓
15	3600	254T	208-230/460	SD100	1LE23112BA114AA3	2168	SD2	17.0	92.4	309	✓
15	1800	254T	208-230/460	SD100	1LE23112BB114AA3	2131	SD2	19.0	93.0	297	✓
20	3600	256T	208-230/460	SD100	1LE23112BA214AA3	2684	SD2	22.5	92.4	333	✓
20	1800	256T	208-230/460	SD100	1LE23112BB214AA3	2653	SD2	25.0	93.6	341	✓

NEMA Premium® is a certification mark of the National Electrical Manufacturers Association.
QuikMOD Delivery for stocked motors only.

Stock availability subject to change.
Prices and Specifications are subject to change without notice.
DOE#CC032A

Severe duty motors

SD100 (Cast iron frame)

NEMA Premium®
Die cast copper rotor

460V 60Hz – C-face footless

HP	RPM	Frame	Voltage	Type	Part Number	List Price \$	Mult. Symb.	FL Amps	FL Nom Eff (%)	Lbs	Stock
1	1800	143TC	208-230/460	SD100	1LE23111AB214GA3	717	SD2	1.5	86.5	81	✓
1	1200	145TC	208-230/460	SD100	1LE23111AC314GA3	870	SD2	1.6	84.0	81	✓
1.5	3600	143TC	208-230/460	SD100	1LE23111AA214GA3	761	SD2	1.9	87.5	80	✓
1.5	1800	145TC	208-230/460	SD100	1LE23111AB314GA3	785	SD2	2.1	87.5	81	✓
2	3600	145TC	208-230/460	SD100	1LE23111AA314GA3	892	SD2	2.6	88.5	80	✓
2	1800	145TC	208-230/460	SD100	1LE23111AB414GA3	855	SD2	2.8	87.5	81	✓
3	3600	182TC	208-230/460	SD100	1LE23111CA114GA3	1035	SD2	3.8	89.5	121	✓
3	1800	182TC	208-230/460	SD100	1LE23111CB114GA3	979	SD2	4.0	90.2	125	✓
3	1200	213TC	208-230/460	SD100	1LE23112AC114GA3	1330	SD2	4.3	90.2	170	✓
5	3600	184TC	208-230/460	SD100	1LE23111CA314GA3	1249	SD2	6.2	90.2	123	✓
5	1800	184TC	208-230/460	SD100	1LE23111CB314GA3	1122	SD2	6.7	90.2	129	✓
5	1200	215TC	208-230/460	SD100	1LE23112AC214GA3	1820	SD2	7.0	90.2	184	✓
7.5	3600	213TC	208-230/460	SD100	1LE23112AA114GA3	1444	SD2	8.5	91.7	191	✓
7.5	1800	213TC	208-230/460	SD100	1LE23112AB114GA3	1436	SD2	9.5	92.4	198	✓
7.5	1200	254TC	208-230/460	SD100	1LE23112BC114GA3	2361	SD2	10.5	92.4	336	✓
10	3600	215TC	208-230/460	SD100	1LE23112AA214GA3	1711	SD2	11.5	91.7	196	✓
10	1800	215TC	208-230/460	SD100	1LE23112AB214GA3	1749	SD2	12.5	92.4	206	✓
10	1200	256TC	208-230/460	SD100	1LE23112BC214GA3	2922	SD2	13.5	92.4	337	✓
15	3600	254TC	208-230/460	SD100	1LE23112BA114GA3	2348	SD2	17.0	92.4	309	✓
15	1800	254TC	208-230/460	SD100	1LE23112BB114GA3	2311	SD2	19.0	93.0	297	✓
20	3600	256TC	208-230/460	SD100	1LE23112BA214GA3	2864	SD2	22.5	92.4	333	✓
20	1800	256TC	208-230/460	SD100	1LE23112BB214GA3	2833	SD2	25.0	93.6	341	✓

NEMA Premium® is a certification mark of the National Electrical Manufacturers Association.
QuikMOD Delivery for stocked motors only.

Stock availability subject to change.
Prices and Specifications are subject to change without notice.
DOE#CC032A

Severe duty motors

SD100 (Cast iron frame)

NEMA Premium®
Die cast copper rotor

575V 60Hz – Foot mounted

HP	RPM	Frame	Voltage	Type	Part Number	List Price \$	Mult. Symb.	FL Amps	FL Nom Eff. (%)	Lbs	Stock
1	1800	143T	575	SD100	1LE23111AB213AA3	627	SD2	1.2	86.5	81	✓
1	1200	145T	575	SD100	1LE23111AC313AA3	780	SD2	1.3	84.0	81	✓
1.5	3600	143T	575	SD100	1LE23111AA213AA3	671	SD2	1.5	87.5	80	✓
1.5	1800	145T	575	SD100	1LE23111AB313AA3	695	SD2	1.7	87.5	81	✓
2	3600	145T	575	SD100	1LE23111AA313AA3	802	SD2	2.1	88.5	80	✓
2	1800	145T	575	SD100	1LE23111AB413AA3	765	SD2	2.2	87.5	81	✓
3	3600	182T	575	SD100	1LE23111CA113AA3	903	SD2	3.0	89.5	121	✓
3	1800	182T	575	SD100	1LE23111CB113AA3	847	SD2	3.2	90.2	125	✓
3	1200	213T	575	SD100	1LE23112AC113AA3	1198	SD2	3.4	90.2	170	✓
5	3600	184T	575	SD100	1LE23111CA313AA3	1117	SD2	5.0	90.2	123	✓
5	1800	184T	575	SD100	1LE23111CB313AA3	990	SD2	5.4	90.2	129	✓
5	1200	215T	575	SD100	1LE23112AC213AA3	1688	SD2	5.6	90.2	184	✓
7.5	3600	213T	575	SD100	1LE23112AA113AA3	1312	SD2	6.8	91.7	191	✓
7.5	1800	213T	575	SD100	1LE23112AB113AA3	1304	SD2	7.6	92.4	198	✓
7.5	1200	254T	575	SD100	1LE23112BC113AA3	2181	SD2	8.4	92.4	336	✓
10	3600	215T	575	SD100	1LE23112AA213AA3	1579	SD2	9.2	91.7	196	✓
10	1800	215T	575	SD100	1LE23112AB213AA3	1617	SD2	10.0	92.4	206	✓
10	1200	256T	575	SD100	1LE23112BC213AA3	2742	SD2	11.0	92.4	337	✓
15	3600	254T	575	SD100	1LE23112BA113AA3	2168	SD2	13.5	92.4	309	✓
15	1800	254T	575	SD100	1LE23112BB113AA3	2131	SD2	15.0	93.0	297	✓
20	3600	256T	575	SD100	1LE23112BA213AA3	2684	SD2	18.0	92.4	333	✓
20	1800	256T	575	SD100	1LE23112BB213AA3	2653	SD2	20.0	93.6	341	✓

NEMA Premium® is a certification mark of the National Electrical Manufacturers Association.
QuikMOD Delivery for stocked motors only.

Stock availability subject to change.
Prices and Specifications are subject to change without notice.
DOE#CC032A

Severe duty motors

SD100 (Cast iron frame)

NEMA Premium®
Die cast copper rotor

575V 60Hz – C-face footless

HP	RPM	Frame	Voltage	Type	Part Number	List Price \$	Mult. Symb.	FL Amps	FL Nom Eff. (%)	Lbs	Stock
1	1800	143TC	575	SD100	1LE23111AB213GA3	717	SD2	1.2	86.5	81	
1	1200	145TC	575	SD100	1LE23111AC313GA3	870	SD2	1.3	84.0	81	
1.5	3600	143TC	575	SD100	1LE23111AA213GA3	761	SD2	1.5	87.5	80	
1.5	1800	145TC	575	SD100	1LE23111AB313GA3	785	SD2	1.7	87.5	81	
2	3600	145TC	575	SD100	1LE23111AA313GA3	892	SD2	2.1	88.5	80	
2	1800	145TC	575	SD100	1LE23111AB413GA3	855	SD2	2.2	87.5	81	
3	3600	182TC	575	SD100	1LE23111CA113GA3	1035	SD2	3.0	89.5	121	
3	1800	182TC	575	SD100	1LE23111CB113GA3	979	SD2	3.2	90.2	125	
3	1200	213TC	575	SD100	1LE23112AC113GA3	1330	SD2	3.4	90.2	170	
5	3600	184TC	575	SD100	1LE23111CA313GA3	1249	SD2	5.0	90.2	123	
5	1800	184TC	575	SD100	1LE23111CB313GA3	1122	SD2	5.4	90.2	129	
5	1200	215TC	575	SD100	1LE23112AC213GA3	1820	SD2	5.6	90.2	184	
7.5	3600	213TC	575	SD100	1LE23112AA113GA3	1444	SD2	6.8	91.7	191	
7.5	1800	213TC	575	SD100	1LE23112AB113GA3	1436	SD2	7.6	92.4	198	
7.5	1200	254TC	575	SD100	1LE23112BC113GA3	2361	SD2	8.4	92.4	336	
10	3600	215TC	575	SD100	1LE23112AA213GA3	1711	SD2	9.2	91.7	196	
10	1800	215TC	575	SD100	1LE23112AB213GA3	1749	SD2	10.0	92.4	206	
10	1200	256TC	575	SD100	1LE23112BC213GA3	2922	SD2	11.0	92.4	337	
15	3600	254TC	575	SD100	1LE23112BA113GA3	2348	SD2	13.5	92.4	309	
15	1800	254TC	575	SD100	1LE23112BB113GA3	2311	SD2	15.0	93.0	297	
20	3600	256TC	575	SD100	1LE23112BA213GA3	2864	SD2	18.0	92.4	333	
20	1800	256TC	575	SD100	1LE23112BB213GA3	2833	SD2	20.0	93.6	341	

NEMA Premium® is a certification mark of the National Electrical Manufacturers Association.
QuikMOD Delivery for stocked motors only.

Stock availability subject to change.
Prices and Specifications are subject to change without notice.
DOE#CC032A

Severe duty motors

SD100 IEEE841 (Cast iron frame)

SD100 IEEE841 severe duty/IEEE 841 TEFC motors are available in two configurations—they exceed NEMA Premium® efficiency with our exclusive, leading-edge, die cast copper rotor design (143T-256T) or meet NEMA Premium® efficiency with our die cast aluminum rotor design (143T-S449). They also exceed IEEE Std 841TM-2009 standards for high performance, rugged construction and long service life, for the most demanding industrial applications. They are ideal for use in chemical processing, mining, foundry, pulp and paper, waste management and petro/chemical applications.

Performance specifications

- 1 to 400 HP
- 1.15 service factor, 40°C ambient
- 3600, 1800, 1200 or 900 RPM
- 3-phase, 60 Hz;
 - 460V and 575V 1 - 400 HP
- Meets or exceeds NEMA Premium® efficiency standards. (EPA efficiency for 900RPM Motors)
- Class F insulation,
 - Class B temperature rise @ 1.0 S.F.
- NEMA design B (except as noted), continuous duty
- 0.06 IPS vibration / 0.005" foot flatness
- Meets or exceeds IEEE Std 841TM-2009
- Meets IP55 & IEEE 45 marine duty
- 143T to S449
- Adjustable speed drive capability

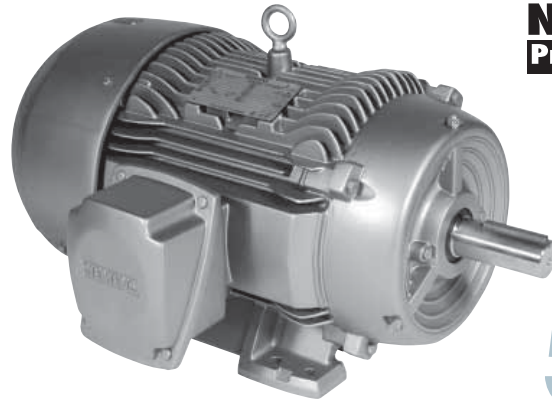
VT 20:1	FS 140 - 440
CT 4:1	FS 140 - 440
CT 10:1	FS 140 - 250 (Cu)

Features for long life

Frame and bearing housings – Cast iron construction for exceptional structural integrity & corrosion resistance, equipped with integrally cast feet. Condensation T-drains provided. Lifting eyebolts are included with motors > 75 lbs.

Rotor – Frame sizes 143T-256T offer Siemens exclusive, leading edge, die cast copper rotor design which provides industry leading efficiencies, exceeding NEMA Premium®. Die cast aluminum rotor motors (143T-S449) meet or exceed NEMA Premium® efficiency levels, are dynamically balanced for extended bearing life. Rotor assembly includes a high-strength carbon steel (C1045) shaft for maximum rotor performance.

Stator/Windings – Manufactured with premium electrical-grade steel laminations and copper electrical magnet wire to lower losses for improved efficiencies. A unique stator core design lowers flux density while increasing cooling capacity. Large conductor cross-section reduces resistance and lowers stator losses.



**NEMA
Premium**

**5
YEAR
WARRANTY**

Insulation – Proprietary inverter-rated Class F non-hygroscopic insulation system with NEMA Class B temperature rise @ 1.0SF provides an extra margin of thermal life. Varnish system application ensures maximum wire penetration to provide protection from moisture, corrosion and electrical shock. This insulation system meets or exceeds NEMA MG1-2006, Part 31 making all motors suitable for operation with adjustable frequency drives.

Cooling – A bi-directional, non-sparking fan is locked and keyed to the shaft. Its design reduces windage losses, improves air flow, reduces noise and provides dependable cooling. Cast iron fan covers are provided on all frame sizes.

Bearings – Regreasable, oversized single shielded with cast iron inner caps. Alemite grease inlet fittings and automatic grease relief fittings for ease of routine maintenance. Inpro/Seal® bearing isolators are standard on bearing housings at both ends of the motor.

Lubrication – A specially formulated, high temperature tested, polyurea based grease. Seamless, stainless steel grease filled lubrication pipes are included.

Conduit box – Oversized cast iron construction that is larger than industry standards, diagonally-split, gasket and rotatable in 90° increments for quick and easy connections. A ground lug is provided. Non-wicking, clearly and permanently marked leads.

Corrosion resistance – Cast iron construction, polycarbonate fan, zinc-plated hardware, epoxy enamel paint and embossed stainless steel nameplate resist rust and corrosion.

Modifiable and custom – Siemens motors are available with a wide variety of QuikMOD modifications and custom designs to meet your specific motor needs.



NEMA Premium® is a certification mark of the National Electrical Manufacturers Association.

Severe duty motors

SD100 IEEE841 (Cast iron frame)

NEMA Premium®
Die cast aluminum rotor

460V 60Hz – Foot mounted

HP	RPM	Frame	Voltage	Type	Part Number	List Price \$	Mult. Symb.	FL Amps	FL Nom Eff. (%)	Lbs	Stock
1	3600	143T	460	SD100 IEEE841	1LE24211AA112AA3	787	SD3	1.4	82.5	75	✓
1	1800	143T	460	SD100 IEEE841	1LE24211AB212AA3	762	SD3	1.4	85.5	76	✓
1	1200	145T	460	SD100 IEEE841	1LE24211AC312AA3	898	SD3	1.6	82.5	77	✓
1	900	182T	460	SD100 IEEE841	1LE24211CD112AA3	1457	SD3	2.0	81.5	106	✓
1.5	3600	143T	460	SD100 IEEE841	1LE24211AA212AA3	788	SD3	2.0	84.0	70	✓
1.5	1800	145T	460	SD100 IEEE841	1LE24211AB312AA3	822	SD3	2.1	86.5	80	✓
1.5	1200	182T	460	SD100 IEEE841	1LE24211CC112AA3	1006	SD3	2.4	87.5	113	✓
1.5	900	184T	460	SD100 IEEE841	1LE24211CD312AA3	1719	SD3	3.0	82.5	119	✓
2	3600	145T	460	SD100 IEEE841	1LE24211AA312AA3	904	SD3	2.5	85.5	72	✓
2	1800	145T	460	SD100 IEEE841	1LE24211AB412AA3	878	SD3	2.8	86.5	80	✓
2	1200	184T	460	SD100 IEEE841	1LE24211CC312AA3	1071	SD3	3.2	88.5	122	✓
2	900	213T	460	SD100 IEEE841	1LE24212AD112AA3	2023	SD3	3.0	84.0	145	✓
3	3600	182T	460	SD100 IEEE841	1LE24211CA112AA3	947	SD3	3.8	86.5	107	✓
3	1800	182T	460	SD100 IEEE841	1LE24211CB112AA3	907	SD3	4.0	89.5	118	✓
3	1200	213T	460	SD100 IEEE841	1LE24212AC112AA3	1350	SD3	4.3	89.5	164	✓
3	900	215T	460	SD100 IEEE841	1LE24212AD212AA3	2565	SD3	5.0	85.5	160	✓
5	3600	184T	460	SD100 IEEE841	1LE24211CA312AA3	1159	SD3	6.0	88.5	118	✓
5	1800	184T	460	SD100 IEEE841	1LE24211CB312AA3	1039	SD3	6.5	89.5	124	✓
5	1200	215T	460	SD100 IEEE841	1LE24212AC212AA3	1787	SD3	6.7	89.5	176	✓
5	900	254T	460	SD100 IEEE841	1LE24212BD112AA3	3428	SD3	9.0	86.5	247	✓
7.5	3600	213T	460	SD100 IEEE841	1LE24212AA112AA3	1421	SD3	8.8	89.5	160	✓
7.5	1800	213T	460	SD100 IEEE841	1LE24212AB112AA3	1380	SD3	9.7	91.7	191	✓
7.5	1200	254T	460	SD100 IEEE841	1LE24212BC112AA3	2284	SD3	10.0	91.0	292	✓
7.5	900	256T	460	SD100 IEEE841	1LE24212BD212AA3	4297	SD3	13.0	87.5	279	✓
10	3600	215T	460	SD100 IEEE841	1LE24212AA212AA3	1634	SD3	11.5	90.2	174	✓
10	1800	215T	460	SD100 IEEE841	1LE24212AB212AA3	1652	SD3	12.5	91.7	197	✓
10	1200	256T	460	SD100 IEEE841	1LE24212BC212AA3	2840	SD3	13.5	91.0	288	✓
10	900	284T	460	SD100 IEEE841	1LE24212CD112AA3	4398	SD3	15.0	90.2	362	✓
15	3600	254T	460	SD100 IEEE841	1LE24212BA112AA3	2216	SD3	17.5	91.0	287	✓
15	1800	254T	460	SD100 IEEE841	1LE24212BB112AA3	2177	SD3	19.0	92.4	289	✓
15	1200	284T	460	SD100 IEEE841	1LE24212CC112AA3	3541	SD3	21.0	91.7	400	✓
15	900	286T	460	SD100 IEEE841	1LE24212CD212AA3	5623	SD3	23.0	90.2	420	✓
20	3600	256T	460	SD100 IEEE841	1LE24212BA212AA3	2720	SD3	22.5	91.0	323	✓
20	1800	256T	460	SD100 IEEE841	1LE24212BB212AA3	2806	SD3	25.0	93.0	322	✓
20	1200	286T	460	SD100 IEEE841	1LE24212CC212AA3	4316	SD3	27.0	91.7	465	✓
20	900	324T	460	SD100 IEEE841	1LE24213AD112AA3	6875	SD3	31.0	91.0	570	✓

NEMA Premium® is a certification mark of the National Electrical Manufacturers Association.
QuikMOD Delivery for stocked motors only.
Stock availability subject to change.

900 RPM Motors meet or exceed EPC efficiency.
Prices and Specifications are subject to change without notice.
DOE#CC032A

Severe duty motors

SD100 IEEEE841 (Cast iron frame)

NEMA Premium®
Die cast aluminum rotor

460V 60Hz – Foot mounted

HP	RPM	Frame	Voltage	Type	Part Number	List Price \$	Mult. Symb.	FL Amps	FL Nom Eff. (%)	Lbs	Stock
25	3600	284TS	460	SD100 IEEEE841	1LE24212DA112AA3	3231	SD3	29.0	91.7	415	✓
25	1800	284T	460	SD100 IEEEE841	1LE24212CB112AA3	3086	SD3	30.0	93.6	445	✓
25	1800	284TS	460	SD100 IEEEE841	1LE24212DB112AA3	3086	SD3	30.0	93.6	445	✓
25	1200	324T	460	SD100 IEEEE841	1LE24213AC112AA3	5227	SD3	33.0	93.0	640	✓
25	900	326T	460	SD100 IEEEE841	1LE24213AD212AA3	7986	SD3	41.0	90.2	582	✓
30	3600	286TS	460	SD100 IEEEE841	1LE24212DA212AA3	3775	SD3	34.0	91.7	430	✓
30	1800	286T	460	SD100 IEEEE841	1LE24212CB212AA3	3588	SD3	35.0	93.6	465	✓
30	1800	286TS	460	SD100 IEEEE841	1LE24212DB212AA3	3588	SD3	35.0	93.6	465	✓
30	1200	326T	460	SD100 IEEEE841	1LE24213AC212AA3	6022	SD3	39.0	93.0	675	✓
30	900	364T	460	SD100 IEEEE841	1LE24213CD112AA3	9453	SD3	47.0	91.7	740	✓
40	3600	324TS	460	SD100 IEEEE841	1LE24213BA112AA3	4978	SD3	45.0	93.6	575	✓
40	1800	324T	460	SD100 IEEEE841	1LE24213AB112AA3	4767	SD3	46.0	94.1	666	✓
40	1800	324TS	460	SD100 IEEEE841	1LE24213BB112AA3	4767	SD3	46.0	94.1	666	✓
40	1200	364T	460	SD100 IEEEE841	1LE24213CC112AA3	8160	SD3	49.0	94.1	863	✓
40	900	365T	460	SD100 IEEEE841	1LE24213CD212AA3	11428	SD3	63.0	91.7	840	✓
50	3600	326TS	460	SD100 IEEEE841	1LE24213BA212AA3	6328	SD3	55.0	93.6	610	✓
50	1800	326T	460	SD100 IEEEE841	1LE24213AB212AA3	5803	SD3	58.0	94.5	700	✓
50	1800	326TS	460	SD100 IEEEE841	1LE24213BB212AA3	5803	SD3	58.0	94.5	700	✓
50	1200	365T	460	SD100 IEEEE841	1LE24213CC212AA3	9287	SD3	62.0	94.1	900	✓
50	900	404T	460	SD100 IEEEE841	1LE24214AD112AA3	13302	SD3	67.0	92.4	1116	✓
60	3600	364TS	460	SD100 IEEEE841	1LE24213DA112AA3	8398	SD3	68.0	93.6	717	✓
60	1800	364T	460	SD100 IEEEE841	1LE24213CB112AA3	8253	SD3	68.0	95.0	930	✓
60	1800	364TS	460	SD100 IEEEE841	1LE24213DB112AA3	8253	SD3	68.0	95.0	930	✓
60	1200	404T	460	SD100 IEEEE841	1LE24214AC112AA3	10599	SD3	74.0	94.5	1100	✓
60	900	405T	460	SD100 IEEEE841	1LE24214AD212AA3	14927	SD3	78.0	92.4	1182	✓
75	3600	365TS	460	SD100 IEEEE841	1LE24213DA212AA3	10545	SD3	86.0	94.1	815	✓
75	1800	365T	460	SD100 IEEEE841	1LE24213CB212AA3	10279	SD3	85.0	95.4	1000	✓
75	1800	365TS	460	SD100 IEEEE841	1LE24213DB212AA3	10279	SD3	85.0	95.4	1000	✓
75	1200	405T	460	SD100 IEEEE841	1LE24214AC212AA3	12368	SD3	93.0	94.5	1150	✓
75	900	444T	460	SD100 IEEEE841	1LE24214CD112AA3	19848	SD3	94.0	93.6	1525	✓
75	900	444TS	460	SD100 IEEEE841	1LE24214DD112AA3	19848	SD3	94.0	93.6	1525	
75	900	444T	460	SD100 IEEEE841	1LE24214ED112AA3	19848	SD3	94.0	93.6	1525	

NEMA Premium® is a certification mark of the National Electrical Manufacturers Association.
QuikMOD Delivery for stocked motors only.
Shaded ratings indicated roller bearings.

Stock availability subject to change.
900 RPM Motors meet or exceed EPA efficiency.
Prices and Specifications are subject to change without notice.
DOE#CC032A

Severe duty motors

SD100 IEEE841 (Cast iron frame)

NEMA Premium®
Die cast aluminum rotor

460V 60Hz – Foot mounted

HP	RPM	Frame	Voltage	Type	Part Number	List Price \$	Mult. Symb.	FL Amps	FL Nom Eff. (%)	Lbs	Stock
100	3600	405TS	460	SD100 IEEE841	1LE24214BA212AA3	14007	SD3	108.0	94.1	1100	✓
100	1800	405T	460	SD100 IEEE841	1LE24214AB212AA3	12699	SD3	113.0	95.4	1160	✓
100	1800	405TS	460	SD100 IEEE841	1LE24214BB212AA3	12699	SD3	113.0	95.4	1160	✓
100	1200	444T	460	SD100 IEEE841	1LE24214CC112AA3	17054	SD3	117.0	95.0	1545	✓
100	1200	444TS	460	SD100 IEEE841	1LE24214DC112AA3	17054	SD3	117.0	95.0	1545	
100	1200	444T	460	SD100 IEEE841	1LE24214EC112AA3	17054	SD3	117.0	95.0	1545	✓
100	900	445T	460	SD100 IEEE841	1LE24214CD212AA3	24322	SD3	123.0	94.1	1697	✓
100	900	445TS	460	SD100 IEEE841	1LE24214DD212AA3	24322	SD3	123.0	94.1	1697	
100	900	445T	460	SD100 IEEE841	1LE24214ED212AA3	24322	SD3	123.0	94.1	1697	
125	3600	444TS	460	SD100 IEEE841	1LE24214DA112AA3	17992	SD3	140.0	95.0	1454	✓
125	1800	444T	460	SD100 IEEE841	1LE24214CB112AA3	16570	SD3	143.0	95.4	1600	✓
125	1800	444TS	460	SD100 IEEE841	1LE24214DB112AA3	16570	SD3	14.0	95.4	1600	✓
125	1800	444T	460	SD100 IEEE841	1LE24214EB112AA3	16570	SD3	143.0	95.4	1600	✓
125	1200	445T	460	SD100 IEEE841	1LE24214CC212AA3	20577	SD3	144.0	95.0	1720	✓
125	1200	445TS	460	SD100 IEEE841	1LE24214DC212AA3	20577	SD3	144.0	95.0	1720	✓
125	1200	445T	460	SD100 IEEE841	1LE24214EC212AA3	20577	SD3	144.0	95.0	1720	✓
125	900	447T	460	SD100 IEEE841	1LE24214CD312AA3	24984	SD3	152.0	94.1	2018	✓
125	900	447TS	460	SD100 IEEE841	1LE24214DD312AA3	24984	SD3	152.0	94.1	2018	
125	900	447T	460	SD100 IEEE841	1LE24214ED312AA3	24984	SD3	152.0	94.1	2018	
150	3600	445TS	460	SD100 IEEE841	1LE24214DA212AA3	21035	SD3	162.0	95.0	1615	✓
150	1800	445T	460	SD100 IEEE841	1LE24214CB212AA3	18742	SD3	170.0	95.8	1710	✓
150	1800	445TS	460	SD100 IEEE841	1LE24214DB212AA3	18742	SD3	170.0	95.8	1710	✓
150	1800	445T	460	SD100 IEEE841	1LE24214EB212AA3	18742	SD3	170.0	95.8	1710	✓
150	1200	447T	460	SD100 IEEE841	1LE24214CC312AA3	22602	SD3	172.0	95.8	1995	✓
150	1200	447TS	460	SD100 IEEE841	1LE24214DC312AA3	22602	SD3	172.0	95.8	1995	✓
150	1200	447T	460	SD100 IEEE841	1LE24214EC312AA3	22602	SD3	172.0	95.8	1995	✓
150	900	449T	460	SD100 IEEE841	1LE24214CD512AA3	31945	SD3	180.0	94.1	2480	✓
150	900	449TS	460	SD100 IEEE841	1LE24214DD512AA3	31945	SD3	180.0	94.1	2480	
150	900	449T	460	SD100 IEEE841	1LE24214ED512AA3	31945	SD3	180.0	94.1	2480	
200	3600	447TS	460	SD100 IEEE841	1LE24214DA312AA3	26380	SD3	220.0	95.4	1890	✓
200	1800	447T	460	SD100 IEEE841	1LE24214CB312AA3	22796	SD3	226.0	96.2	2035	✓
200	1800	447TS	460	SD100 IEEE841	1LE24214DB312AA3	22796	SD3	226.0	96.2	2035	✓
200	1800	447T	460	SD100 IEEE841	1LE24214EB312AA3	22796	SD3	226.0	96.2	2035	✓
200	1200	449T	460	SD100 IEEE841	1LE24214CC512AA3	27413	SD3	227.0	95.8	2425	✓
200	1200	449TS	460	SD100 IEEE841	1LE24214DC512AA3	27413	SD3	227.0	95.8	2425	
200	1200	449T	460	SD100 IEEE841	1LE24214EC512AA3	27413	SD3	227.0	95.8	2425	✓
200	900	S449LS	460	SD100 IEEE841	1LE24214FD112AA3	45526	SD3	240.0	94.5	3200	

NEMA Premium® is a certification mark of the National Electrical Manufacturers Association.
QuikMOD Delivery for stocked motors only.
Shaded ratings indicated roller bearings.

Stock availability subject to change.
900 RPM Motors meet or exceed EPA efficiency.
Prices and Specifications are subject to change without notice.
DOE#CC032A

Severe duty motors

SD100 IEEE841 (Cast iron frame)

NEMA Premium®
Die cast aluminum rotor

460V 60Hz – Foot mounted

HP	RPM	Frame	Voltage	Type	Part Number	List Price \$	Mult. Symb.	FL Amps	FL Nom Eff. (%)	Lbs	Stock
250	3600	449TS	460	SD100 IEEE841	1LE24214DA512AA3	33581	SD3	261.0	95.8	2272	✓
250	1800	449T ²⁾	460	SD100 IEEE841	1LE24214CB512AA3	28890	SD3	278.0	96.2	2425	✓
250	1800	449TS ¹⁾	460	SD100 IEEE841	1LE24214DB512AA3	28890	SD3	278.0	96.2	2425	
250	1800	449T ¹⁾	460	SD100 IEEE841	1LE24214EB512AA3	28890	SD3	278.0	96.2	2425	✓
250	1200	449T ²⁾	460	SD100 IEEE841	1LE24214CC612AA3	30125	SD3	281.0	95.8	2390	✓
250	1200	449TS ¹⁾	460	SD100 IEEE841	1LE24214DC612AA3	30125	SD3	281.0	95.8	2390	
250	1200	449T ¹⁾	460	SD100 IEEE841	1LE24214EC612AA3	30125	SD3	281.0	95.8	2390	
250	900	S449LS	460	SD100 IEEE841	1LE24214FD212AA3	49878	SD3	303	94.5	3220	
300	3600	449TS ¹⁾	460	SD100 IEEE841	1LE24214DA612AA3	42635	SD3	312.0	95.8	2200	✓
300	1800	S449LS ^{1) 2)}	460	SD100 IEEE841	1LE24214FB112AA3	39177	SD3	334.0	96.2	3130	
300	1800	S449SS ^{1) 2)}	460	SD100 IEEE841	1LE24214GB112AA3	39177	SD3	334.0	96.2	3130	
300	1200	S449LS ^{1) 2)}	460	SD100 IEEE841	1LE24214FC112AA3	52342	SD3	340.0	95.8	3240	✓
300	1200	S449SS ^{1) 2)}	460	SD100 IEEE841	1LE24214GC112AA3	52342	SD3	340.0	95.8	3240	
350	3600	S449SS ¹⁾	460	SD100 IEEE841	1LE24214GA112AA3	51006	SD3	370.0	95.8	2890	✓
350	1800	S449LS ¹⁾	460	SD100 IEEE841	1LE24214FB212AA3	47236	SD3	390.0	96.2	3190	
350	1800	S449SS ¹⁾	460	SD100 IEEE841	1LE24214GB212AA3	47236	SD3	390.0	96.2	3190	
400	3600	S449SS ¹⁾	460	SD100 IEEE841	1LE24214GA312AA3	57207	SD3	422.0	95.8	3065	✓
400	1800	S449LS ¹⁾	460	SD100 IEEE841	1LE24214FB312AA3	52986	SD3	454.0	96.2	3240	
400	1800	S449SS ¹⁾	460	SD100 IEEE841	1LE24214GB312AA3	52986	SD3	454.0	96.2	3240	✓

NEMA Premium® is a certification mark of the National Electrical Manufacturers Association.
QuikMOD Delivery for stocked motors only.
Shaded ratings indicated roller bearings.
Stock availability subject to change.

1) CW Rotation facing opposite DE
2) NEMA design A
900 RPM Motors meet or exceed EPA efficiency.
Prices and Specifications are subject to change without notice.
DOE#CC032A

Severe duty motors

SD100 IEEE841 (Cast iron frame)

NEMA Premium®
Die cast aluminum rotor

460V 60Hz – C-face footless

HP	RPM	Frame	Voltage	Type	Part Number	List Price \$	Mult. Symb.	FL Amps	FL Nom Eff. (%)	Lbs	Stock
1	3600	143TC	460	SD100 IEEE841	1LE24211AA112GA3	877	SD3	1.4	82.5	75	✓
1	1800	143TC	460	SD100 IEEE841	1LE24211AB212GA3	852	SD3	1.4	85.5	76	✓
1.5	3600	143TC	460	SD100 IEEE841	1LE24211AA212GA3	878	SD3	2.0	84.0	70	✓
1.5	1800	145TC	460	SD100 IEEE841	1LE24211AB312GA3	912	SD3	2.1	86.5	80	✓
2	3600	145TC	460	SD100 IEEE841	1LE24211AA312GA3	994	SD3	2.5	85.5	72	✓
2	1800	145TC	460	SD100 IEEE841	1LE24211AB412GA3	968	SD3	2.8	86.5	80	✓
3	3600	182TC	460	SD100 IEEE841	1LE24211CA112GA3	1079	SD3	3.8	86.5	107	✓
3	1800	182TC	460	SD100 IEEE841	1LE24211CB112GA3	1039	SD3	4.0	89.5	118	✓
5	3600	184TC	460	SD100 IEEE841	1LE24211CA312GA3	1291	SD3	6.0	88.5	118	✓
5	1800	184TC	460	SD100 IEEE841	1LE24211CB312GA3	1171	SD3	6.5	89.5	124	✓
7.5	3600	213TC	460	SD100 IEEE841	1LE24212AA112GA3	1553	SD3	8.8	89.5	160	✓
7.5	1800	213TC	460	SD100 IEEE841	1LE24212AB112GA3	1512	SD3	9.7	91.7	191	✓
10	3600	215TC	460	SD100 IEEE841	1LE24212AA212GA3	1766	SD3	11.5	90.2	174	✓
10	1800	215TC	460	SD100 IEEE841	1LE24212AB212GA3	1784	SD3	12.5	91.7	197	✓
15	3600	254TC	460	SD100 IEEE841	1LE24212BA112GA3	2396	SD3	17.5	91.0	287	✓
15	1800	254TC	460	SD100 IEEE841	1LE24212BB112GA3	2357	SD3	19.0	92.4	289	✓
20	3600	256TC	460	SD100 IEEE841	1LE24212BA212GA3	2900	SD3	22.5	91.0	323	✓
20	1800	256TC	460	SD100 IEEE841	1LE24212BB212GA3	2986	SD3	25.0	93.0	322	✓

NEMA Premium® is a certification mark of the National Electrical Manufacturers Association.
QuikMOD Delivery for stocked motors only.

Stock availability subject to change.
Prices and Specifications are subject to change without notice.
DOE#CC032A

Severe duty motors

SD100 IEEEE841 (Cast iron frame)

NEMA Premium®
Die cast aluminum rotor

575V 60Hz – Foot mounted

HP	RPM	Frame	Voltage	Type	Part Number	List Price \$	Mult. Symb.	FL Amps	FL Nom Eff. (%)	Lbs	Stock
1	3600	143T	575	SD100 IEEEE841	1LE24211AA113AA3	787	SD3	1.1	82.5	75	✓
1	1800	143T	575	SD100 IEEEE841	1LE24211AB213AA3	762	SD3	1.1	85.5	76	✓
1	1200	145T	575	SD100 IEEEE841	1LE24211AC313AA3	898	SD3	1.3	82.5	77	✓
1	900	182T	575	SD100 IEEEE841	1LE24211CD113AA3	1457	SD3	2.0	81.5	106	
1.5	3600	143T	575	SD100 IEEEE841	1LE24211AA213AA3	788	SD3	1.6	84.0	70	✓
1.5	1800	145T	575	SD100 IEEEE841	1LE24211AB313AA3	822	SD3	1.7	86.5	80	✓
1.5	1200	182T	575	SD100 IEEEE841	1LE24211CC113AA3	1006	SD3	1.9	87.5	113	✓
1.5	900	184T	575	SD100 IEEEE841	1LE24211CD313AA3	1719	SD3	2.4	82.5	119	
2	3600	145T	575	SD100 IEEEE841	1LE24211AA313AA3	904	SD3	2.0	85.5	72	✓
2	1800	145T	575	SD100 IEEEE841	1LE24211AB413AA3	878	SD3	2.2	86.5	80	✓
2	1200	184T	575	SD100 IEEEE841	1LE24211CC313AA3	1071	SD3	2.6	88.5	122	✓
2	900	213T	575	SD100 IEEEE841	1LE24212AD113AA3	2023	SD3	3.0	84.0	145	
3	3600	182T	575	SD100 IEEEE841	1LE24211CA113AA3	947	SD3	3.0	86.5	107	✓
3	1800	182T	575	SD100 IEEEE841	1LE24211CB113AA3	907	SD3	3.2	89.5	118	✓
3	1200	213T	575	SD100 IEEEE841	1LE24212AC113AA3	1350	SD3	3.4	89.5	164	✓
3	900	215T	575	SD100 IEEEE841	1LE24212AD213AA3	2565	SD3	4.0	85.5	160	
5	3600	184T	575	SD100 IEEEE841	1LE24211CA313AA3	1159	SD3	4.8	88.5	118	✓
5	1800	184T	575	SD100 IEEEE841	1LE24211CB313AA3	1039	SD3	5.2	89.5	124	✓
5	1200	215T	575	SD100 IEEEE841	1LE24212AC213AA3	1787	SD3	5.4	89.5	176	✓
5	900	254T	575	SD100 IEEEE841	1LE24212BD113AA3	3428	SD3	7.0	86.5	247	
7.5	3600	213T	575	SD100 IEEEE841	1LE24212AA113AA3	1421	SD3	7.0	89.5	160	✓
7.5	1800	213T	575	SD100 IEEEE841	1LE24212AB113AA3	1380	SD3	7.8	91.7	191	✓
7.5	1200	254T	575	SD100 IEEEE841	1LE24212BC113AA3	2284	SD3	8.0	91.0	292	✓
7.5	900	256T	575	SD100 IEEEE841	1LE24212BD213AA3	4297	SD3	10.0	87.5	279	
10	3600	215T	575	SD100 IEEEE841	1LE24212AA213AA3	1634	SD3	9.2	90.2	174	✓
10	1800	215T	575	SD100 IEEEE841	1LE24212AB213AA3	1652	SD3	10.0	91.7	197	✓
10	1200	256T	575	SD100 IEEEE841	1LE24212BC213AA3	2840	SD3	11.0	91.0	288	✓
10	900	284T	575	SD100 IEEEE841	1LE24212CD113AA3	4398	SD3	12.0	90.2	362	
15	3600	254T	575	SD100 IEEEE841	1LE24212BA113AA3	2216	SD3	14.0	91.0	287	✓
15	1800	254T	575	SD100 IEEEE841	1LE24212BB113AA3	2177	SD3	15.0	92.4	289	✓
15	1200	284T	575	SD100 IEEEE841	1LE24212CC113AA3	3541	SD3	17.0	91.7	400	✓
15	900	286T	575	SD100 IEEEE841	1LE24212CD213AA3	5623	SD3	18.0	90.2	420	
20	3600	256T	575	SD100 IEEEE841	1LE24212BA213AA3	2720	SD3	18.0	91.0	323	✓
20	1800	256T	575	SD100 IEEEE841	1LE24212BB213AA3	2806	SD3	20.0	93.0	322	✓
20	1200	286T	575	SD100 IEEEE841	1LE24212CC213AA3	4316	SD3	21.5	91.7	465	✓
20	900	324T	575	SD100 IEEEE841	1LE24213AD113AA3	6875	SD3	25	91.0	570	

NEMA Premium® is a certification mark of the National Electrical Manufacturers Association.
QuikMOD Delivery for stocked motors only.
Stock availability subject to change.

900 RPM Motors meet or exceed EPC efficiency.
Prices and Specifications are subject to change without notice.
DOE#CC032A

Severe duty motors

SD100 IEEE841 (Cast iron frame)

NEMA Premium®
Die cast aluminum rotor

575V 60Hz – Foot mounted

HP	RPM	Frame	Voltage	Type	Part Number	List Price \$	Mult. Symb.	FL Amps	FL Nom Eff. (%)	Lbs	Stock
25	3600	284TS	575	SD100 IEEE841	1LE24212DA113AA3	3231	SD3	23.0	91.7	415	✓
25	1800	284T	575	SD100 IEEE841	1LE24212CB113AA3	3086	SD3	24.0	93.6	445	✓
25	1800	284TS	575	SD100 IEEE841	1LE24212DB113AA3	3086	SD3	24.0	93.6	445	
25	1200	324T	575	SD100 IEEE841	1LE24213AC113AA3	5227	SD3	26.0	93.0	640	✓
25	900	326T	575	SD100 IEEE841	1LE24213AD213AA3	7986	SD3	33.0	90.2	582	
30	3600	286TS	575	SD100 IEEE841	1LE24212DA213AA3	3775	SD3	27.0	91.7	430	✓
30	1800	286T	575	SD100 IEEE841	1LE24212CB213AA3	3588	SD3	28.0	93.6	465	✓
30	1800	286TS	575	SD100 IEEE841	1LE24212DB213AA3	3588	SD3	28.0	93.6	465	
30	1200	326T	575	SD100 IEEE841	1LE24213AC213AA3	6022	SD3	31.0	93.0	675	✓
30	900	364T	575	SD100 IEEE841	1LE24213CD113AA3	9453	SD3	38.0	91.7	740	
40	3600	324TS	575	SD100 IEEE841	1LE24213BA113AA3	4978	SD3	36.0	93.6	575	✓
40	1800	324T	575	SD100 IEEE841	1LE24213AB113AA3	4767	SD3	37.0	94.1	666	✓
40	1800	324TS	575	SD100 IEEE841	1LE24213BB113AA3	4767	SD3	37.0	94.1	666	
40	1200	364T	575	SD100 IEEE841	1LE24213CC113AA3	8160	SD3	39.0	94.1	863	✓
40	900	365T	575	SD100 IEEE841	1LE24213CD213AA3	11428	SD3	50.0	91.7	840	
50	3600	326TS	575	SD100 IEEE841	1LE24213BA213AA3	6328	SD3	44.0	93.6	610	✓
50	1800	326T	575	SD100 IEEE841	1LE24213AB213AA3	5803	SD3	46.0	94.5	700	✓
50	1800	326TS	575	SD100 IEEE841	1LE24213BB213AA3	5803	SD3	46.0	94.5	700	
50	1200	365T	575	SD100 IEEE841	1LE24213CC213AA3	9287	SD3	50.0	94.1	900	✓
50	900	404T	575	SD100 IEEE841	1LE24214AD113AA3	3302	SD3	54.0	92.4	1116	
60	3600	364TS	575	SD100 IEEE841	1LE24213DA113AA3	8398	SD3	54.5	93.6	717	✓
60	1800	364T	575	SD100 IEEE841	1LE24213CB113AA3	8253	SD3	54.5	95.0	930	✓
60	1800	364TS	575	SD100 IEEE841	1LE24213DB113AA3	8253	SD3	54.5	95.0	930	
60	1200	404T	575	SD100 IEEE841	1LE24214AC113AA3	10599	SD3	59.0	94.5	1100	✓
60	900	405T	575	SD100 IEEE841	1LE24214AD213AA3	14927	SD3	62.0	92.4	1182	
75	3600	365TS	575	SD100 IEEE841	1LE24213DA213AA3	10545	SD3	69.0	94.1	815	✓
75	1800	365T	575	SD100 IEEE841	1LE24213CB213AA3	10279	SD3	68.0	95.4	1000	✓
75	1800	365TS	575	SD100 IEEE841	1LE24213DB213AA3	10279	SD3	68.0	95.4	1000	
75	1200	405T	575	SD100 IEEE841	1LE24214AC213AA3	12368	SD3	75.0	94.5	1150	✓
75	900	444T	575	SD100 IEEE841	1LE24214CD113AA3	19848	SD3	75.0	93.6	1525	
75	900	444TS	575	SD100 IEEE841	1LE24214DD113AA3	19848	SD3	75.0	93.6	1525	
75	900	444T	575	SD100 IEEE841	1LE24214ED113AA3	24322	SD3	75.0	93.6	1525	

NEMA Premium® is a certification mark of the National Electrical Manufacturers Association.
QuikMOD Delivery for stocked motors only.
Shaded ratings indicated roller bearings.

Stock availability subject to change.
900 RPM Motors meet or exceed EPA efficiency.
Prices and Specifications are subject to change without notice.
DOE#CC032A

Severe duty motors

SD100 IEEEE841 (Cast iron frame)

NEMA Premium®
Die cast aluminum rotor

575V 60Hz – Foot mounted

HP	RPM	Frame	Voltage	Type	Part Number	List Price \$	Mult. Symb.	FL Amps	FL Nom Eff. (%)	Lbs	Stock
100	3600	405TS	575	SD100 IEEEE841	1LE24214BA213AA3	14007	SD3	87.0	94.1	1100	✓
100	1800	405T	575	SD100 IEEEE841	1LE24214AB213AA3	12699	SD3	90.5	95.4	1160	✓
100	1800	405TS	575	SD100 IEEEE841	1LE24214BB213AA3	12699	SD3	90.5	95.4	1160	
100	1200	444T	575	SD100 IEEEE841	1LE24214CC113AA3	17054	SD3	94.0	95.0	1545	✓
100	1200	444TS	575	SD100 IEEEE841	1LE24214DC113AA3	17054	SD3	94.0	95.0	1545	
100	1200	444T	575	SD100 IEEEE841	1LE24214EC113AA3	17054	SD3	94.0	95.0	1545	
100	900	445T	575	SD100 IEEEE841	1LE24214CD213AA3	24322	SD3	98.0	94.1	1697	
100	900	445TS	575	SD100 IEEEE841	1LE24214DD213AA3	24322	SD3	98.0	94.1	1697	
100	900	445T	575	SD100 IEEEE841	1LE24214ED213AA3	24322	SD3	98.0	94.1	1697	
125	3600	444TS	575	SD100 IEEEE841	1LE24214DA113AA3	17992	SD3	112.0	95.0	1454	✓
125	1800	444T	575	SD100 IEEEE841	1LE24214CB113AA3	16570	SD3	115.0	95.4	1600	✓
125	1800	444TS	575	SD100 IEEEE841	1LE24214DB113AA3	16570	SD3	115.0	95.4	1600	
125	1800	444T	575	SD100 IEEEE841	1LE24214EB113AA3	16570	SD3	115.0	95.4	1600	✓
125	1200	445T	575	SD100 IEEEE841	1LE24214CC213AA3	20577	SD3	115.0	95.0	1720	✓
125	1200	445TS	575	SD100 IEEEE841	1LE24214DC213AA3	20577	SD3	115.0	95.0	1720	
125	1200	445T	575	SD100 IEEEE841	1LE24214EC213AA3	20577	SD3	115.0	95.0	1720	
125	900	447T	575	SD100 IEEEE841	1LE24214CD313AA3	24984	SD3	122.0	94.1	2018	
125	900	447TS	575	SD100 IEEEE841	1LE24214DD313AA3	24984	SD3	122.0	94.1	2018	
125	900	447T	575	SD100 IEEEE841	1LE24214ED313AA3	24984	SD3	122.0	94.1	2018	
150	3600	445TS	575	SD100 IEEEE841	1LE24214DA213AA3	21035	SD3	130.0	95.0	1615	✓
150	1800	445T	575	SD100 IEEEE841	1LE24214CB213AA3	18742	SD3	136.0	95.8	1710	✓
150	1800	445TS	575	SD100 IEEEE841	1LE24214DB213AA3	18742	SD3	136.0	95.8	1710	
150	1800	445T	575	SD100 IEEEE841	1LE24214EB213AA3	18742	SD3	136.0	95.8	1710	✓
150	1200	447T	575	SD100 IEEEE841	1LE24214CC313AA3	22602	SD3	138.0	95.8	1995	✓
150	1200	447TS	575	SD100 IEEEE841	1LE24214DC313AA3	22602	SD3	138.0	95.8	1995	
150	1200	447T	575	SD100 IEEEE841	1LE24214EC313AA3	22602	SD3	138.0	95.8	1995	
150	900	449T	575	SD100 IEEEE841	1LE24214CD513AA3	31945	SD3	144.0	94.1	2480	
150	900	449TS	575	SD100 IEEEE841	1LE24214DD513AA3	31945	SD3	144.0	94.1	2480	
150	900	449T	575	SD100 IEEEE841	1LE24214ED513AA3	31945	SD3	144.0	94.1	2480	
200	3600	447TS	575	SD100 IEEEE841	1LE24214DA313AA3	26380	SD3	176.0	95.4	1890	✓
200	1800	447T	575	SD100 IEEEE841	1LE24214CB313AA3	22796	SD3	181.0	96.2	2035	✓
200	1800	447TS	575	SD100 IEEEE841	1LE24214DB313AA3	22796	SD3	181.0	96.2	2035	
200	1800	447T	575	SD100 IEEEE841	1LE24214EB313AA3	22796	SD3	181.0	96.2	2035	✓
200	1200	449T	575	SD100 IEEEE841	1LE24214CC513AA3	27413	SD3	182.0	95.8	2425	✓
200	1200	449TS	575	SD100 IEEEE841	1LE24214DC513AA3	27413	SD3	182.0	95.8	2425	
200	1200	449T	575	SD100 IEEEE841	1LE24214EC513AA3	27413	SD3	182.0	95.8	2425	
200	900	S449LS	575	SD100 IEEEE841	1LE24214FD113AA3	45526	SD3	192.0	94.5	3200	

NEMA Premium® is a certification mark of the National Electrical Manufacturers Association.
QuikMOD Delivery for stocked motors only.
Shaded ratings indicated roller bearings.

Stock availability subject to change.
900 RPM Motors meet or exceed EPA efficiency.
Prices and Specifications are subject to change without notice.
DOE#CC032A

Severe duty motors

SD100 IEEE841 (Cast iron frame)

NEMA Premium®
Die cast aluminum rotor

575V 60Hz – Foot mounted

HP	RPM	Frame	Voltage	Type	Part Number	List Price \$	Mult. Symb.	FL Amps	FL Nom Eff. (%)	Lbs	Stock
250	3600	449TS	575	SD100 IEEE841	1LE24214DA513AA3	33581	SD3	209.0	95.8	2272	✓
250	1800	449T 2)	575	SD100 IEEE841	1LE24214CB513AA3	28890	SD3	223.0	96.2	2425	✓
250	1800	449TS 1)	575	SD100 IEEE841	1LE24214DB513AA3	28890	SD3	223.0	96.2	2425	
250	1800	449T 1)	575	SD100 IEEE841	1LE24214EB513AA3	28890	SD3	223.0	96.2	2425	✓
250	1200	449T 2)	575	SD100 IEEE841	1LE24214CC613AA3	30125	SD3	225.0	95.8	2390	✓
250	1200	449TS 1)	575	SD100 IEEE841	1LE24214DC613AA3	30125	SD3	225.0	95.8	2390	
250	1200	449T 1)	575	SD100 IEEE841	1LE24214EC613AA3	30125	SD3	225.0	95.8	2390	
250	900	S449LS	575	SD100 IEEE841	1LE24214FD213AA3	49878	SD3	242.0	94.5	3220	
300	3600	449TS 1)	575	SD100 IEEE841	1LE24214DA613AA3	42635	SD3	250.0	95.8	2200	✓
300	1800	S449LS 1) 2)	575	SD100 IEEE841	1LE24214FB113AA3	39177	SD3	268.0	96.2	3130	✓
300	1800	S449SS 1) 2)	575	SD100 IEEE841	1LE24214GB113AA3	39177	SD3	268.0	96.2	3130	
300	1200	S449LS 1) 2)	575	SD100 IEEE841	1LE24214FC113AA3	52342	SD3	272.0	95.8	3240	
300	1200	S449SS 1) 2)	575	SD100 IEEE841	1LE24214GC113AA3	52342	SD3	272.0	95.8	3240	
350	3600	S449SS 1)	575	SD100 IEEE841	1LE24214GA113AA3	51006	SD3	296.0	95.8	2890	
350	1800	S449LS 1)	575	SD100 IEEE841	1LE24214FB213AA3	47236	SD3	312.0	96.2	3190	
350	1800	S449SS 1)	575	SD100 IEEE841	1LE24214GB213AA3	47236	SD3	312.0	96.2	3190	
400	3600	S449SS 1)	575	SD100 IEEE841	1LE24214GA313AA3	57207	SD3	338.0	95.8	3065	✓
400	1800	S449LS 1)	575	SD100 IEEE841	1LE24214FB313AA3	52986	SD3	363.0	96.2	3240	✓
400	1800	S449SS 1)	575	SD100 IEEE841	1LE24214GB313AA3	52986	SD3	363.0	96.2	3240	

NEMA Premium® is a certification mark of the National Electrical Manufacturers Association.
QuikMOD Delivery for stocked motors only.
Shaded ratings indicated roller bearings.
Stock availability subject to change.

1) CW Rotation facing opposite DE
2) NEMA design A
900 RPM Motors meet or exceed EPC efficiency.
Prices and Specifications are subject to change without notice.
DOE#CC032A

Severe duty motors

SD100 IEEEE841 (Cast iron frame)

NEMA Premium®
Die cast aluminum rotor

575V 60Hz – C-face footless

HP	RPM	Frame	Voltage	Type	Part Number	List Price \$	Mult. Symb.	FL Amps	FL Nom Eff. (%)	Lbs	Stock
1	3600	143TC	575	SD100 IEEEE841	1LE24211AA113GA3	877	SD3	1.1	82.5	75	✓
1	1800	143TC	575	SD100 IEEEE841	1LE24211AB213GA3	852	SD3	1.1	85.5	76	✓
1.5	3600	143TC	575	SD100 IEEEE841	1LE24211AA213GA3	878	SD3	1.6	84.0	70	✓
1.5	1800	145TC	575	SD100 IEEEE841	1LE24211AB313GA3	912	SD3	1.7	86.5	80	✓
2	3600	145TC	575	SD100 IEEEE841	1LE24211AA313GA3	994	SD3	2.0	85.5	72	✓
2	1800	145TC	575	SD100 IEEEE841	1LE24211AB413GA3	968	SD3	2.2	86.5	80	✓
3	3600	182TC	575	SD100 IEEEE841	1LE24211CA113GA3	1079	SD3	3.0	86.5	107	✓
3	1800	182TC	575	SD100 IEEEE841	1LE24211CB113GA3	1039	SD3	3.2	89.5	118	✓
5	3600	184TC	575	SD100 IEEEE841	1LE24211CA313GA3	1291	SD3	4.8	88.5	118	✓
5	1800	184TC	575	SD100 IEEEE841	1LE24211CB313GA3	1171	SD3	5.2	89.5	124	✓
7.5	3600	213TC	575	SD100 IEEEE841	1LE24212AA113GA3	1553	SD3	7.0	89.5	160	✓
7.5	1800	213TC	575	SD100 IEEEE841	1LE24212AB113GA3	1512	SD3	7.8	91.7	191	✓
10	3600	215TC	575	SD100 IEEEE841	1LE24212AA213GA3	1766	SD3	9.2	90.2	174	✓
10	1800	215TC	575	SD100 IEEEE841	1LE24212AB213GA3	1784	SD3	10.0	91.7	197	✓
15	3600	254TC	575	SD100 IEEEE841	1LE24212BA113GA3	2396	SD3	14.0	91.0	287	✓
15	1800	254TC	575	SD100 IEEEE841	1LE24212BB113GA3	2357	SD3	15.0	92.4	289	✓
20	3600	256TC	575	SD100 IEEEE841	1LE24212BA213GA3	2900	SD3	18.0	91.0	323	✓
20	1800	256TC	575	SD100 IEEEE841	1LE24212BB213GA3	2986	SD3	20.0	93.0	322	✓

General Purpose Motors

Severe Duty Motors

Hazardous Duty Motors

Definite Purpose Motors

QuikMOD Detail

Custom Options Detail

Typical Performance Data

General Dimensions

Part Number Index

NEMA Premium® is a certification mark of the National Electrical Manufacturers Association.
QuikMOD Delivery for stocked motors only.

Stock availability subject to change.
Prices and Specifications are subject to change without notice.
DOE#CC032A

Severe duty motors

SD100 IEEE841 (Cast iron frame)

NEMA Premium®
Die cast copper rotor

460V 60Hz – Foot mounted

HP	RPM	Frame	Voltage	Type	Part Number	List Price \$	Mult. Symb.	FL Amps	FL Nom Eff. (%)	Lbs	Stock
1	1800	143T	460	SD100 IEEE841	1LE24111AB212AA3	886	SD3	1.5	86.5	81	✓
1	1200	145T	460	SD100 IEEE841	1LE24111AC312AA3	1044	SD3	1.6	84.0	81	✓
1.5	3600	143T	460	SD100 IEEE841	1LE24111AA212AA3	917	SD3	1.9	87.5	80	✓
1.5	1800	145T	460	SD100 IEEE841	1LE24111AB312AA3	955	SD3	2.1	87.5	81	✓
2	3600	145T	460	SD100 IEEE841	1LE24111AA312AA3	1051	SD3	2.6	88.5	80	✓
2	1800	145T	460	SD100 IEEE841	1LE24111AB412AA3	1023	SD3	2.8	87.5	81	✓
3	3600	182T	460	SD100 IEEE841	1LE24111CA112AA3	1102	SD3	3.8	89.5	121	✓
3	1800	182T	460	SD100 IEEE841	1LE24111CB112AA3	1056	SD3	4.0	90.2	125	✓
3	1200	213T	460	SD100 IEEE841	1LE24112AC112AA3	1571	SD3	4.3	90.2	170	✓
5	3600	184T	460	SD100 IEEE841	1LE24111CA312AA3	1348	SD3	6.2	90.2	123	✓
5	1800	184T	460	SD100 IEEE841	1LE24111CB312AA3	1209	SD3	6.7	90.2	129	✓
5	1200	215T	460	SD100 IEEE841	1LE24112AC212AA3	2077	SD3	7.0	90.2	184	✓
7.5	3600	213T	460	SD100 IEEE841	1LE24112AA112AA3	1653	SD3	8.5	91.7	191	✓
7.5	1800	213T	460	SD100 IEEE841	1LE24112AB112AA3	1605	SD3	9.5	92.4	198	✓
7.5	1200	254T	460	SD100 IEEE841	1LE24112BC112AA3	2656	SD3	10.5	92.4	336	✓
10	3600	215T	460	SD100 IEEE841	1LE24112AA212AA3	1900	SD3	11.5	91.7	196	✓
10	1800	215T	460	SD100 IEEE841	1LE24112AB212AA3	1922	SD3	12.5	92.4	206	✓
10	1200	256T	460	SD100 IEEE841	1LE24112BC212AA3	3305	SD3	13.5	92.4	337	✓
15	3600	254T	460	SD100 IEEE841	1LE24112BA112AA3	2577	SD3	17.0	92.4	309	✓
15	1800	254T	460	SD100 IEEE841	1LE24112BB112AA3	2531	SD3	19.0	93.0	297	✓
20	3600	256T	460	SD100 IEEE841	1LE24112BA212AA3	3164	SD3	22.5	92.4	333	✓
20	1800	256T	460	SD100 IEEE841	1LE24112BB212AA3	3263	SD3	25.0	93.6	341	✓

NEMA Premium® is a certification mark of the National Electrical Manufacturers Association.
QuikMOD Delivery for stocked motors only.

Stock availability subject to change.
Prices and Specifications are subject to change without notice.
DOE#CC032A

Severe duty motors

SD100 IEEE841 (Cast iron frame)

NEMA Premium®
Die cast copper rotor

575V 60Hz – Foot mounted

HP	RPM	Frame	Voltage	Type	Part Number	List Price \$	Mult. Symb.	FL Amps	FL Nom Eff. (%)	Lbs	Stock
1	1800	143T	575	SD100 IEEE841	1LE24111AB213AA3	886	SD3	1.2	86.5	81	
1	1200	145T	575	SD100 IEEE841	1LE24111AC313AA3	1044	SD3	1.3	84.0	81	
1.5	3600	143T	575	SD100 IEEE841	1LE24111AA213AA3	917	SD3	1.5	87.5	80	
1.5	1800	145T	575	SD100 IEEE841	1LE24111AB313AA3	955	SD3	1.7	87.5	81	
2	3600	145T	575	SD100 IEEE841	1LE24111AA313AA3	1051	SD3	2.1	88.5	80	
2	1800	145T	575	SD100 IEEE841	1LE24111AB413AA3	1023	SD3	2.2	87.5	81	
3	3600	182T	575	SD100 IEEE841	1LE24111CA113AA3	1102	SD3	3.0	89.5	121	
3	1800	182T	575	SD100 IEEE841	1LE24111CB113AA3	1056	SD3	3.2	90.2	125	
3	1200	213T	575	SD100 IEEE841	1LE24112AC113AA3	1571	SD3	3.4	90.2	170	
5	3600	184T	575	SD100 IEEE841	1LE24111CA313AA3	1348	SD3	5.0	90.2	123	
5	1800	184T	575	SD100 IEEE841	1LE24111CB313AA3	1209	SD3	5.4	90.2	129	
5	1200	215T	575	SD100 IEEE841	1LE24112AC213AA3	2077	SD3	5.6	90.2	184	
7.5	3600	213T	575	SD100 IEEE841	1LE24112AA113AA3	1653	SD3	6.8	91.7	191	
7.5	1800	213T	575	SD100 IEEE841	1LE24112AB113AA3	1605	SD3	7.6	92.4	198	
7.5	1200	254T	575	SD100 IEEE841	1LE24112BC113AA3	2656	SD3	8.4	92.4	336	
10	3600	215T	575	SD100 IEEE841	1LE24112AA213AA3	1900	SD3	9.2	91.7	196	
10	1800	215T	575	SD100 IEEE841	1LE24112AB213AA3	1922	SD3	10.0	92.4	206	
10	1200	256T	575	SD100 IEEE841	1LE24112BC213AA3	3305	SD3	11.0	92.4	337	
15	3600	254T	575	SD100 IEEE841	1LE24112BA113AA3	2577	SD3	13.5	92.4	309	
15	1800	254T	575	SD100 IEEE841	1LE24112BB113AA3	2531	SD3	15.0	93.0	297	
20	3600	256T	575	SD100 IEEE841	1LE24112BA213AA3	3164	SD3	18.0	92.4	333	
20	1800	256T	575	SD100 IEEE841	1LE24112BB213AA3	3263	SD3	20.0	93.6	341	

NEMA Premium® is a certification mark of the National Electrical Manufacturers Association.
QuikMOD Delivery for stocked motors only.

Stock availability subject to change.
Prices and Specifications are subject to change without notice.
DOE#CC032A

Severe duty motors

SD100 / SD100 IEEE841

QuikMOD options Selection and pricing

				List Price \$										
Voltage		* 12 & 13	SD100	SD100 IEEE841	140	180	210	250	280	320	360	400	440	S440
Single Voltage	230V	11	HP 1-20	–	123	123	138	159	161	–	–	–	–	–
	460V	12	HP 1-20 Std. HP>20	Std.	123	123	138	159	161	Std.	Std.	Std.	Std.	Std.
	575V	13	140-S440	140-S440	nc	nc	nc	nc	nc	nc	nc	nc	nc	nc
	208-230V/460V	14	Std. 140-250	–	Std	Std	Std	Std	–	–	–	–	–	–
	230/460V	16	140-250	–	119	119	133	154	Std	–	–	–	–	–
Special Voltage	200-600V	90	140-S440	140-S440	120	120	120	166	200	482	546	714	1187	1486
Flanges and Bearing Housing		* 14	SD100	SD100 IEEE 841	140	180	210	250	280	320	360	400	440	S440
Foot Mounted	C - Face ¹⁾	E	280-440	–	–	–	–	–	870	941	1016	1261	1493	–
	D - Flange	F	140-250	–	284	361	396	774	–	–	–	–	–	–
	C - Face w/drip cover	N	280-440	–	–	–	–	–	1037	1236	1615	2099	2643	–
	D - Flange w/drip cover	P	140-250	–	442	519	555	948	–	–	–	–	–	–
Round Body	D - Flange	H	–	140-250	302	396	428	809	–	–	–	–	–	–
	D - Flange w/drip cover	M	–	140-250	527	637	661	1049	–	–	–	–	–	–
Protection		* 15	SD100	SD100 IEEE 841	140	180	210	250	280	320	360	400	440	S440
Without thermal protection		A	Std	Std	nc	nc	nc	nc	nc	nc	nc	nc	nc	nc
Thermostats Klixon Type	Normally closed 1 x phase	G	140-S440	140-S440	229	229	229	229	229	306	306	459	566	561
Mounting		* 16	SD100	SD100 IEEE 841	140	180	210	250	280	320	360	400	440	S440
Ceiling Mount - T. Box LHS	C-2	1	140-S440	140-S440	133	133	133	133	134	134	134	134	134	137
Horizontal - T. box RHS	F-2	2	140-440	140-440	283	283	283	283	284	284	284	284	284	–
Horizontal - T. Box LHS	F-1	3	Std	Std	Std	Std	Std	Std	Std	Std	Std	Std	Std	Std
Vertical, Shaft up, T. Box LHS	W-5	6	140-440	140-440	283	283	283	283	284	284	284	284	284	–
Vertical, Shaft up, T. Box RHS	W-8	7	140-S440	140-440	130	130	130	130	131	131	131	131	130	127
Ceiling Mount - T. Box RHS	C-1	8	140-440	140-440	283	283	283	283	284	284	284	284	284	–
Wall Mount (Additional code R1A required)	W-1	9-R1A	140-440	140-480	283	283	283	283	284	284	284	284	284	–
Wall Mount (Additional code R2A required)	W-2	9-R2A	140-S440	140-440	129	129	129	129	130	130	130	130	130	132
Wall Mount (Additional code R3A required)	W-3	9-R3A	140-S440	140-S440	288	288	288	288	289	289	289	289	289	294
Wall Mount (Additional code R4A required)	W-4	9-R4A	140-440	140-S440	127	127	127	127	128	128	128	128	128	132

* Position to be replaced in the part number by the chosen number or letter.

1) C-Face with feet for 440 frames, only available with ball bearings.

Prices and Specifications are subject to change without notice.
QuikMOD Delivery for stocked motors only.

Severe duty motors

SD100 / SD100 IEEE841

QuikMOD options Selection and pricing

					List Price \$									
Bearings and Lubrication		Code	SD100	SD100 IEEE 841	140	180	210	250	280	320	360	400	440	S440
Grease Fitting	Pressure relief	L60	140-S440	–	186	186	186	186	186	186	186	186	186	189
Ball Bearings	Sealed (except 2 pole, 360+)	L68	140-S440	Std	229	229	229	458	458	458	572	916	916	1207
Shafts & Seals		Code	SD100	SD100 IEEE 841	140	180	210	250	280	320	360	400	440	S440
Slinger & O Ring	(4, 6, 8 Pole only)	L76	140-S440	140-S440	88	88	88	121	121	164	164	207	207	213
Inpro Seal	Drive End	L79	140-S440	–	489	489	510	595	616	649	744	914	999	1044
	Opposite Drive End	L80	140-S440	–	511	511	533	622	644	678	778	955	1044	1044
	Both Ends	L81	140-S440	Std	1021	1021	1066	1244	1289	1356	1556	1911	2088	2088
Coupling	Customer Supplied	H10	140-S440	140-S440	485	485	485	485	485	485	716	716	716	728
Terminal Box		Code	SD100	SD100 IEEE 841	140	180	210	250	280	320	360	400	440	S440
Maint Terminal Box	Orientation 90 degree CCW	J84	140-S440	140-S440	134	134	134	134	134	134	134	134	134	137
	Orientation 180 degree CCW	J85	140-S440	140-S440	134	134	134	134	134	134	134	134	134	137
	Orientation 270 degree CCW	J86	140-S440	140-S440	134	134	134	134	134	134	134	134	134	137
Condulet	To main Terminal Box	JX2	140-S440	140-S4401	251	251	251	251	251	251	251	251	251	250
Terminal Block	Burndy Hydent type YA	K80	140-S440	140-S440	170	170	170	170	171	171	171	171	171	175
Leads	Special Leads ¹⁾	K89	140-S440	140-S440	cf	cf	cf	cf	cf	cf	cf	cf	cf	cf
Frame		Code	SD100	SD100 IEEE 841	140	180	210	250	280	320	360	400	440	S440
Rotational Arrow	Bidirectional (not for uni-directional)	K70	140-S440	140-S440	141	141	141	141	142	142	142	142	142	144
	Clockwise	K71	140-S440	140-S440	141	141	141	141	142	142	142	142	142	144
	Counterclockwise	K72	140-S440	140-S440	141	141	14	141	142	142	142	142	142	144
Hardware	Stainless steel (Includes T Drain SS)	L22	140-S440	Std	203	203	203	203	203	251	308	380	468	641
Lifting eyebolt		L20	140	Std	43	Std	Std	Std	Std	Std	Std	Std	Std	Std
Grounding Frame	Provision (tapped hole w/bolt)	L27	140-S440	140-S440	142	142	142	164	164	186	186	186	261	266
Drain Plugs	T Drain SS	L45	140-S440	140-S440	161	161	161	234	234	237	307	307	307	319
	Crouse-Hinds UL Approved	L46	280-S440	280-S440	–	–	–	–	353	353	353	353	353	364
Fan	Bronze	M10	140-S440	140-S440	546	546	706	752	941	1137	1190	1325	1830	1593
Nameplates	Additional nameplate (replica of original)	M21	140-S440	140-S440	163	163	163	163	164	164	164	164	164	167
	Division 2 nameplate	M22	140-S440	140-S440	322	322	322	322	322	322	322	322	322	311
	Auxiliary nameplate Max. 40 Characters	Y82	140-S440	140-S440	161	161	161	161	164	164	164	164	164	167
Vertical Jacking	Provisions	M39	280-S440	280-S440	–	–	–	–	867	867	867	867	867	910
Drip Cover		K33	140-S440	140-S440	153	153	153	164	167	295	599	838	1550	1550

1) Only for single voltage.
K71, K72: Viewed from the ODE.

Prices and Specifications are subject to change without notice.
QuikMOD Delivery for stocked motors only.

Severe duty motors

SD100 / SD100 IEEE841

QuikMOD options Selection and pricing

				List Price \$										
Winding		Code	SD100	SD100 IEEE 841	140	180	210	250	280	320	360	400	440	S440
Insulation	Fungus Protection	C07	140-S440	140-S440	212	212	212	310	310	310	537	537	537	546
Space Heaters	115V Single Phase	A40	140-S440	140S-440	352	352	352	352	528	528	528	612	612	599
	230V Single Phase	A41	140-S440	140-S440	352	352	352	352	528	528	528	612	612	599
	115V Single Phase, Division 2	A42	140-S440	140-S440	455	455	455	455	679	679	816	957	1181	1259
	240V Single Phase, Division 2	A44	140-S440	140-S440	455	455	455	455	679	679	816	997	1181	1259
Paint and Others		Code	SD100	SD100 IEEE 841	140	180	210	250	280	320	360	400	440	S440
Balance	Precision	M69	-	Std	190	190	190	218	218	248	248	313	313	610
Packaging	Sea freight - Siemens Standard	B09	140-S440	140-S440	333	333	333	333	761	1133	1133	1506	1506	1533
Software		Code	SD100	SD100 IEEE 841	140	180	210	250	280	320	360	400	440	S440
Software	Documentation in Spanish	D05	140-S440	140-S440	nc	nc	nc	nc	nc	nc	nc	nc	nc	nc
	Certification of Compliance	F00	140-S440	140-S440	296	296	296	296	299	299	299	299	299	303
	Standard Date Transmittal	F40	140-S440	140-S440	44	44	44	44	45	45	45	45	45	46
	Standard Dimension Sheet	F42	140-S440	140-S440	44	44	44	44	45	45	45	45	45	46
	Conduit Box Dimension Sheet	F44	140-S440	140-S440	44	44	44	44	45	45	45	45	45	46
	Wiring Diagram	F45	140-S440	140-S440	44	44	44	44	45	45	45	45	45	46
	IOM	F46	140-S440	140-S440	44	44	44	44	45	45	45	45	45	46
	Renewal Parts	F47	140-S440	140-S440	44	44	44	44	45	45	45	45	45	46
	Performance Data Sheets	F49	140-S440	140-S440	259	259	259	259	261	261	261	261	261	266
	Typical Data	F03	140-S440	140-S440	740	740	740	740	747	747	747	747	747	759
Tests		Code	SD100	SD100 IEEE 841	140	180	210	250	280	320	360	400	440	S440
Test	Routine Test Report	F10	140-S440	140-S440	296	296	296	296	299	299	299	299	299	303
	Noise	F30	140-S440	140-S440	4144	4144	4144	4144	4183	4183	5378	5378	5378	5463
	Noise (Witnessed)	F32	140-S440	140-S440	6512	6512	6512	6512	6573	7768	7768	7768	7768	7891

Prices and Specifications are subject to change without notice.
QuikMOD Delivery for stocked motors only.

Severe duty motors

SD100 / SD100 IEEE841

Custom options Selection and pricing

			List Price \$											
Voltage		* 12 & 13	SD100	SD100 IEEE841	140	180	210	250	280	320	360	400	440	S440
Single Voltage	230V	11	HP 1-20	–	123	123	138	159	161	–	–	–	–	–
	460V	12	HP 1-20 Std. HP>20	Std.	123	123	138	159	161	Std.	Std.	Std.	Std.	Std.
	575V	13	140-S440	140-S440	nc	nc	nc	nc	nc	nc	nc	nc	nc	nc
	208-230V/460V	14	Std. 140-250	–	Std	Std	Std	Std	–	–	–	–	–	–
	230/460V	16	140-250	–	119	119	133	154	Std	–	–	–	–	–
Part Winding Start	460V 60Hz	22	280-S440	280-S440	–	–	–	–	165	200	294	461	767	768
	575V 60Hz	23	280-S440	280-S440	–	–	–	–	165	200	294	461	767	768
Wye Start - Delta Run	200V 60Hz	30	280-360	280-360	–	–	–	–	155	188	276	–	–	–
	230V 60Hz	31	280-360	280-360	–	–	–	–	155	188	276	–	–	–
	460V 60Hz	32	280-S440	280-S440	–	–	–	–	155	188	276	433	750	768
	575V 60Hz	33	280-S440	280-S440	–	–	–	–	155	188	276	433	720	768
Special Voltage	200-600V	90	140-S440	140-S440	120	120	120	166	200	482	546	714	1187	1486
Flanges and Bearing Housing			* 14	SD100 IEEE 841	140	180	210	250	280	320	360	400	440	S440
Foot Mounted	End shield	A	Std	Std	–	–	–	–	–	–	–	–	–	–
	C - Face ¹⁾	E	140-S440	140-S440	206	249	283	625	870	941	1016	1261	1493	2)
	D - Flange	F	140-440	140-440	284	361	396	774	1086	1269	1481	1976	2387	2)
	C - Face w/drip cover	N	140-440	140-S440	360	403	438	794	1035	1236	1615	2099	3043	2)
	D - Flange w/drip cover	P	140-250	140-250	442	519	555	948	1253	1567	2087	2824	3955	2)
Round Body	C - Face	G	140-250	140-440	226	282	316	676	946	1038	1327	1709	2351	–
	D - Flange	H	140-250	140-440	302	396	428	809	1224	1452	2005	2779	3896	–
	C - Face w/drip cover	L	140-250	140-40	378	434	469	840	1106	1324	1907	2522	3853	–
	D - Flange w/drip cover	M	140-4	140-440	527	637	661	1049	1475	1910	2973	4229	6589	–
Protection			* 15	SD100 IEEE 841	140	180	210	250	280	320	360	400	440	S440
Without thermal protection		A	Std	Std	nc	nc	nc	nc	nc	nc	nc	nc	nc	nc
PTC Thermistors	3 embedded, 1 per phase	B	140-S440	140-S440	634	634	634	634	634	634	634	634	634	645
PTC Thermistors	6 embedded, 2 per phase	C	140-S440	140-S440	1268	1268	1268	1268	1268	1268	1268	1268	1268	129
KTY84-130	2 embedded	F	140-S440	140-S440	981	981	981	981	981	981	981	981	981	998
Thermostats Klixon Type	Normally closed 1 x phase	G	140-S440	140-S440	229	229	229	229	229	306	306	459	566	561
Thermocouples	Coil head	J	360-S440	360-S440	–	–	–	–	–	–	1814	1814	1814	188
Stator RTDs 100 Ω, 1 x phase	Including Aux. Box opp. to main box & Terminal strip	K	360-S440	360-S440	–	–	–	–	–	–	3053	3053	3053	317
Mounting			* 16	SD100 IEEE 841	140	180	210	250	280	320	360	400	440	S440
Ceiling Mount - T. Box LHS	C-2	1	140-S440	140-S440	133	133	133	133	134	134	134	134	134	137
Horizontal - T. box RHS	F-2	2	140-440	140-440	283	283	283	283	284	284	284	284	284	–
Horizontal - T. Box LHS	F-1	3	Std	Std	Std	Std	Std	Std	Std	Std	Std	Std	Std	Std
Vertical Shaft Down, T. Box RHS	W-6	4	440-S440	440-S440	191	191	191	191	191	191	191	191	202	212
Vertical Shaft Down, T. Box LHS	W-7	5	440-S440	440-S440	272	272	272	272	272	272	272	272	288	303
Vertical, Shaft up, T. Box LHS	W-5	6	140-440	140-440	283	283	283	283	284	284	284	284	284	–
Vertical, Shaft up, T. Box RHS	W-8	7	140-S440	140-440	130	130	130	130	131	131	131	131	130	127
Ceiling Mount - T. Box RHS	C-1	8	140-440	140-440	283	283	283	283	284	284	284	284	284	–
Wall Mount (Additional code R1A required)	W-1	9-R1A	140-440	140-440	283	283	283	283	284	284	284	284	284	–
Wall Mount (Additional code R2A required)	W-2	9-R2A	140-S440	140-440	129	129	129	129	130	130	130	130	130	132
Wall Mount (Additional code R3A required)	W-3	9-R3A	140-S440	140-S440	288	288	288	288	289	289	289	289	289	294

* Position to be replaced in the part number by the chosen number or letter
 1) C-Face with feet for 440 frames, only available with ball bearings.
 2) On request.

Stock availability subject to change.
 Prices and Specifications are subject to change without notice.

Introduction
General Purpose Motors
Severe Duty Motors
Hazardous Duty Motors
Definite Purpose Motors
QuikMOD Detail
Custom Options Detail
Typical Performance Data
General Dimensions
Part Number Index

Severe duty motors

SD100 / SD100 IEEE841

Custom options Selection and pricing

				List Price \$										
Bearings and Lubrication		Code	SD100	SD100 IEEE 841	140	180	210	250	280	320	360	400	440	S440
Special Grease	Mobil 28	L57	140-S440	140-S440	485	895	895	895	895	1230	1230	1640	1640	1669
	Mobilith SHC 100	58	140-S440	140-S440	336	336	336	336	336	634	634	634	634	645
Grease Fitting	Pressure relief	L60	140-S440	-	186	186	186	186	186	186	186	186	186	189
Roller Bearings	In lieu of ball bearings	L65	280-400	280-440	-	-	-	-	1215	1215	1215	1215	Std	Std
Ball Bearings	Sealed (except 2 pole, 360+ frames)	L68	140-S440	Std	229	229	229	458	458	458	572	916	916	1207
Bearing thermal Protection	100 Ω RTDs both ends Connection head and	A51	400-S440	400-S440	-	-	-	-	-	-	-	3347	3347	3335
Shafts and Seals		Code	SD100	SD100 IEEE 841	140	180	210	250	280	320	360	400	440	S440
CarbSteel	C4140	M57	400-S440	400-S440	-	-	-	-	-	-	-	4667	5004	5106
Special shaft to Customer spec.	Drive End	Y50	140-S440	140-S440	cf	cf	cf	cf	cf	cf	cf	cf	cf	cf
Special shaft to Customer Spec.	Opposite Drive End	Y51	140-S440	140-S440	cf	cf	cf	cf	cf	cf	cf	cf	cf	cf
NEMA Std Short Shaft	Opposite Drive End	M53	140-S440	140-S440	132	132	132	176	272	392	443	490	542	558
NEMA Std Long Shaft	Opposite Drive End	M52	140-S440	140-S440	133	133	133	179	272	392	443	490	555	558
Slinger & O Ring	(4, 6, 8 Pole only)	L76	140-S440	140-S440	88	88	88	121	121	164	164	207	207	213
Inpro Seal	Drive End	L79	140-S440	-	489	489	510	595	616	649	744	914	999	1044
	Opposite Drive End	L80	140-S440	-	511	511	533	622	644	678	778	955	1044	1044
	Both Ends	L81	140-S440	Std	1021	1021	1066	1244	1289	1356	1556	1911	2088	2088
Brass Seal		L84			133	133	133	133	133	133	133	133	133	-
Coupling	Customer Supplied	H10	140-S440	140-S440	485	485	485	485	485	485	716	716	716	728
Terminal Box		Code	SD100	SD100 IEEE 841	140	180	210	250	280	320	360	400	440	S440
Maint Terminal Box	Cast Iron in lieu of Aluminum	L01	Std	Std	148	154	161	167	180	19	218	251	-	-
	Orientation 90° CCW	J84	140-S440	140-S440	134	134	134	134	134	134	134	134	134	137
	Orientation 180° CCW	J85	140-S440	140-S440	134	134	134	134	134	134	134	134	134	137
	Orientation 270° CCW	J86	140-S440	140-S440	134	134	134	134	134	134	134	134	134	137
Condulet	Same side Main Terminal Box	JX0	280-S440	280-S440	-	-	-	-	235	235	235	235	235	243
	To main Terminal Box	JX2	140-S440	140-S4401	251	251	251	251	251	251	251	251	251	250
	Opposite to Main Terminal box	JX4	180-S440	180-S440	244	235	235	235	235	235	235	235	235	243
Auxiliary box	To Main Terminal Box	JX3	280-S440	280-S440	-	-	-	-	415	415	415	415	415	243
	Opposite to Main Terminal box	JX5	280-S440	280-S440	-	-	-	-	443	443	443	443	443	249
Terminal Block	Burndy Hydent YA Type	K80	140-S440	140-S440	170	170	170	170	171	171	171	171	171	175
	Terminal Block - 3 lead only	K83	140-360	140-360	228	228	228	342	342	518	518	-	-	-
Leads	Special Leads 1)	K89	140-S440	140-S440	cf	cf	cf	cf	cf	cf	cf	cf	cf	cf
	Special Cable Length	K85	140-S440	140-S440	228	228	228	228	228	228	304	304	304	303

1) Only for single voltage

Prices and Specifications are subject to change without notice.

Severe duty motors

SD100 / SD100 IEEE841

Custom options Selection and pricing

Frame		Code	SD100	SD100 IEEE841	List Price \$									
					140	180	210	250	280	320	360	400	440	5440
Rotational Arrow	Bidirectional (not for unidirectional)	K70	140-S440	140-S440	141	141	141	141	142	142	142	142	142	144
	Clockwise	K71	140-S440	140-S440	141	141	141	141	142	142	142	142	142	144
	Counterclockwise	K72	140-S440	140-S440	141	141	141	141	142	142	142	142	142	144
Hardware	Stainless Steel (Includes T DrainSS)	L22	140-S440	Std	203	230	230	230	230	251	309	380	468	641
Lifting Eyebolt		L20	140-140	Std	43	Std	Std	Std	Std	Std	Std	Std	Std	Std
Grounding (Frame)	Provision (tapped hole w/bolt)	L27	140-S440	140-S440	142	142	142	164	164	186	186	186	261	266
Drain Plugs	T Drain SS	L45	140-S440	140-S440	161	161	161	234	234	234	307	307	307	319
	Crouse Hinds UL Approved	L46	280-S440	280-S440	-	-	-	-	353	353	353	353	353	364
Fan	Bronze	M10	140-S440	140-S440	546	546	706	752	941	1137	1190	1325	1830	1593
Nameplates	Add'l nameplate same information	M21	140-S440	140-S440	163	163	163	163	164	164	164	164	164	167
	Div 2 nameplate	M22	140-S440	140-S440	322	322	322	322	322	322	322	322	322	311
	Derate - Service Factor, Altitude &/or Amb. Temp	Y80	140-S440	140-S440	161	161	161	161	164	164	164	164	164	167
	Auxiliary Nameplate Max 40 Characters	Y82	140-S440	140-S440	161	161	161	161	164	164	164	164	164	167
Vertical Jacking	Provisions	M39	280-S440	280-S440	-	-	-	-	867	867	867	867	867	910
Winding		Code	SD100	SD100 IEEE841	140	180	210	250	280	320	360	400	440	5440
Insulation	Class H ¹⁾	C00	140-S440	140-S440	122	122	122	157	261	343	438	634	904	2387
	Vacuum Pressure Impregnation (VPI)	C01	140-S440	140-S440	1670	1670	1670	1670	2147	2147	2714	3430	3728	5463
	Moisture/Powerhouse (extra dip & bake)	C04	140-S440	Std	160	160	160	208	345	447	567	798	1877	1873
	Fungus Protection	C07	140-S440	140-S440	212	212	212	310	310	310	537	537	537	546
	Tropicalization Moisture (extra dip & bake)	C08	140-S440	140-S440	214	214	214	277	459	593	746	1036	1406	2319
Space Heaters	115V Single Phase	A40	140-S440	140-S440	352	352	352	352	528	528	528	612	612	599
	230V Single Phase	A41	140-S440	140-S440	352	352	352	352	528	528	528	612	612	599
	115V Single Phase Division 2	A42	140-S440	140-S440	455	455	455	455	679	679	816	997	1181	1259
	230V Single Phase Division 2	A44	140-S440	140-S440	455	455	455	455	679	679	816	997	1181	1259

1) Lead cable and thermal protectors leads are insulation class F.
K71, K72: Viewed from the ODE.

Stock availability subject to change.
Prices and Specifications are subject to change without notice.

Severe duty motors

SD100 / SD100 IEEE841

Custom options Selection and pricing

Paint and Others		Code	SD100	SD100 IEEE841	140	180	210	250	280	320	360	400	440	S440
Special Paint	2 Part Epoxy	N01	140-S440	140-S440	2744	2744	2744	2744	2744	2744	2744	2744	2744	2845
Special Paint	3 Part Epoxy	N02	140-S440	140-S440	2761	2761	2761	2761	2761	2761	2761	2761	2761	2845
Standard Prime	Only	N03	140-S440	140-S440	558	558	558	558	563	563	563	563	563	584
Special Paint	2 Part Epoxy (Ameron System)	N04	140-S440	140-S440	5655	5655	5655	5655	5655	5655	5655	5655	5655	5690
Standard Paint	Special Color	Y60	140-S440	140-S440	554	554	554	554	557	557	557	557	557	584
Balance	Precision	M69	140-S440	Std	190	190	190	218	218	248	248	313	313	610
	Extra Precision	M70	140-S440	140-S440	312	312	330	30	376	376	506	506	651	683
Vibration Detectors	Robert Shaw malfunction detector Model, 366-D8 120VAC	A66	140-S440	140-S440	-	-	-	-	4216	4216	4216	5170	5170	4932
	Provision for sensors (PMC/Beta)	A67	280-S440	280-S440	-	-	-	-	3778	3778	3778	4574	4574	4363
Packaging	Sea freight - Siemens Standard	B09	140-S440	140-S440	333	333	333	761	1133	1133	1506	1506	1506	1533
	Special	B10	140-S440	140-S440	cf	cf	cf	cf	cf	cf	cf	cf	cf	cf
Software		Code	SD100	SD100 IEEE841	140	180	210	250	280	320	360	400	440	S440
Software	Documentation in Spanish	D05	140-S440	140-S440	nc	nc	nc	nc	nc	nc	nc	nc	nc	nc
	Certificate of Compliance	F00	140-S440	140-S440	296	296	296	296	299	299	299	299	299	303
	Standard Data Transmittal	F40	140-S440	140-S440	44	44	44	44	45	45	45	45	45	46
	Standard Dimension Sheet	F42	140-S440	140-S440	44	44	44	44	45	45	45	45	45	46
	Conduit Box Dimension Sheet	F44	140-S440	140-S440	44	44	44	44	45	45	45	45	45	46
	Wiring Diagram	F45	140-S440	140-S440	44	44	44	44	45	45	45	45	45	46
	IOM	F46	140-S440	140-S440	44	44	44	44	45	45	45	45	45	46
	Renewal Parts	F47	140-S440	140-S440	44	44	44	44	45	45	45	45	45	46
	Performance Data Sheets	F49	140-S440	140-S440	259	259	259	259	261	261	261	261	261	266
	Typical Data	F03	140-S440	140-S440	740	740	740	740	747	747	747	747	747	759
	Nonstandard Dimension Sheet	F43	140-S400	140-S400	518	518	518	518	523	523	523	523	523	531
	Customer Specific Data Sheets	F50	140-S400	140-S440	518	518	518	518	523	523	523	523	523	531
Special Calculated Data	F07	140-S400	140-S400	1184	1184	1184	1184	1195	1195	1195	1195	1195	1214	
Tests		Code	SD100	SD100 IEEE841	140	180	210	250	280	320	360	400	440	S440
Test	Routine Test Report	F10	140-S440	140-S440	296	296	296	296	299	299	299	299	299	303
	Routine Test Report (Witnessed)	F12	140-S440	140-S440	1628	1628	1628	1628	1643	1972	2360	2569	2778	3672
	Complete Test	F15	140-S440	140-S440	6749	6749	6749	6749	6812	7917	9680	11054	12010	13596
	Complete Test (Witnessed)	F17	140-S440	140-S440	10123	10123	10123	10123	10217	11890	14519	16581	18015	20394
	Calibration Test	F27	140-S440	140-S440	5062	5062	5062	5062	5109	5938	7260	8290	9007	10197
	Electrical Duplicate (Routine Test)	F36	140-S440	140-S440	296	296	296	296	299	299	299	299	299	303
	Electrical Duplicate (Complete Test)	F37	140-S440	140-S440	444	444	444	444	448	448	448	448	448	455
	Routine Test + Vibration	F20	140-S440	140-S440	592	592	592	592	597	597	597	597	597	607
	Routine Test + Vibration (Witnessed)	F22	140-S440	140-S440	3256	3256	3256	3256	3286	3286	3286	3286	3286	3338

Stock availability subject to change.

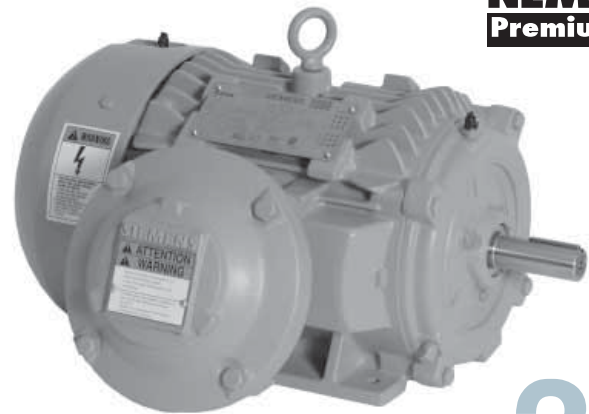
Prices and Specifications are subject to change without notice.

Explosion proof motors

XP100

XP100 explosion-proof motors are UL® listed for dust ignition proof environments, and are suitable for use in Class I, Groups C&D, Class II, Groups F & G, Division 1 hazardous areas.

NEMA
Premium



3
YEAR
WARRANTY

Performance specifications

- 1 to 300 HP
- 1.0 service factor, 40°C ambient
- T3C temperature code
- 900, 1200, 1800, or 3600 RPM
- 3 phase, 60 Hz;

208-230/460 V	1 - 20 HP
230/460V	25 - 100 HP
460V	125 - 300 HP
575V	1 - 300HP
- Meets or exceeds NEMA Premium® efficiency standards (EPAAct efficiency for 900RPM Motors)
- Class F insulation, Class B temperature rise @ 1.0 S.F.
- NEMA design B, continuous duty
- 143T through 449T frame
- Adjustable speed drive capability

VT 20:1	FS 140 – 440
CT 4:1	FS 140 – 320

Features for long life

Frame and end shields – Cast iron frame and end shields for exceptional structural integrity, with UL approved condensation / breather drains on 404T – 449T frames. Lifting eyebolts are included for motors > 75 lbs.

Rotor – A unique rotor design provides improved efficiency while larger bars and end rings reduce resistance for lower rotor losses. Each die cast aluminum rotor assembly is dynamically balanced for extended bearing life, and includes a high strength carbon steel (C1045) shaft for maximum rotor performance.

Stator/Windings – Manufactured with premium electrical grade steel laminations and copper electrical magnet wire to lower losses for improved efficiencies. A unique stator core design lowers flux density while increasing cooling capacity. Large conductor cross section reduces resistance and lowers stator losses.

Insulation – Proprietary Class F non-hygroscopic insulation system with NEMA Class B temperature rise, provides an extra margin of thermal life. Varnish system application ensures maximum wire penetration to provide protection from moisture, corrosion and electrical surges. Two series – connected normally closed Class B thermostats are supplied as standard.

Cooling – A bi-directional, non-sparking fan is locked and keyed to the shaft. Its design reduces windage losses, improves airflow, reduces noise and provides dependable cooling. Cast iron fan covers are provided on all frame sizes.

Bearings – Regreasable, oversized single shielded bearings with cast iron inner caps. Alemite® grease fittings on the inlets, and pipe plugs on the relief ports for ease of routine maintenance.

Lubrication – Specially formulated, high temperature, polyurea based grease.

Conduit box – Oversized cast iron construction that is larger than industry standards, Non-wicking, clearly and permanently marked leads.

Corrosion resistance – Cast iron construction, zinc-plated hardware, epoxy enamel paint and stainless steel nameplate resist rust and corrosion.

Modifiable and custom – All Siemens motors are available with a wide variety of **QuikMOD** modifications and custom designs to meet your specific motor needs.



NEMA Premium® is a certification mark of the National Electrical Manufacturers Association.

Explosion proof motors

XP100

NEMA Premium®

Class I, Groups C&D, Class II, Groups F&G, Division 1

460V 60Hz – Foot mounted,

HP	RPM	Frame	Voltage	Type	Part Number	List Price \$	Mult. Syubl.	FL Amps	Fl Nom Eff. (%)	Lbs	Stock
1	1800	143T	208-230/460	XP100	1MB21211AB214AG3	862	XXP	1.4	85.5	77	✓
1	1200	145T	208-230/460	XP100	1MB21211AC314AG3	1014	XXP	1.6	82.5	88	✓
1	900	182T	208-230/460	XP100	1MB21211CD114AG3	1874	XXP	2.1	81.5	100	✓
1.5	3600	143T	208-230/460	XP100	1MB21211AA214AG3	905	XXP	2.0	84.0	55	✓
1.5	1800	145T	208-230/460	XP100	1MB21211AB314AG3	927	XXP	2.1	86.5	88	✓
1.5	1200	182T	208-230/460	XP100	1MB21211CC114AG3	1106	XXP	2.4	87.5	105	✓
1.5	900	184T	208-230/460	XP100	1MB21211CD314AG3	2206	XXP	3.0	82.5	125	✓
2	3600	145T	208-230/460	XP100	1MB21211AA314AG3	1028	XXP	2.5	85.5	65	✓
2	1800	145T	208-230/460	XP100	1MB21211AB414AG3	990	XXP	2.7	86.5	88	✓
2	1200	184T	208-230/460	XP100	1MB21211CC314AG3	1249	XXP	3.2	88.5	125	✓
2	900	213T	208-230/460	XP100	1MB21212AD114AG3	2639	XXP	3.3	84.0	161	✓
3	3600	182T	208-230/460	XP100	1MB21211CA114AG3	1123	XXP	3.8	86.5	88	✓
3	1800	182T	208-230/460	XP100	1MB21211CB114AG3	1115	XXP	4.0	89.5	110	✓
3	1200	213T	208-230/460	XP100	1MB21212AC114AG3	1522	XXP	4.3	89.5	173	✓
3	900	215T	208-230/460	XP100	1MB21212AD214AG3	3170	XXP	4.8	85.5	173	✓
5	3600	184T	208-230/460	XP100	1MB21211CA314AG3	1502	XXP	6.0	88.5	105	✓
5	1800	184T	208-230/460	XP100	1MB21211CB314AG3	1366	XXP	6.4	89.5	125	✓
5	1200	215T	208-230/460	XP100	1MB21212AC214AG3	2171	XXP	6.7	89.5	180	✓
5	900	254T	208-230/460	XP100	1MB21212BD114AG3	3616	XXP	8.8	86.5	270	✓
7.5	3600	213T	208-230/460	XP100	1MB21212AA114AG3	1695	XXP	8.8	89.5	165	✓
7.5	1800	213T	208-230/460	XP100	1MB21212AB114AG3	1680	XXP	9.7	91.7	185	✓
7.5	1200	254T	208-230/460	XP100	1MB21212BC114AG3	2627	XXP	10.0	91.0	285	✓
7.5	900	256T	208-230/460	XP100	1MB21212BD214AG3	4131	XXP	13.0	87.5	300	✓
10	3600	215T	208-230/460	XP100	1MB21212AA214AG3	1965	XXP	11.5	90.2	173	✓
10	1800	215T	208-230/460	XP100	1MB21212AB214AG3	1995	XXP	12.5	91.7	187	✓
10	1200	256T	208-230/460	XP100	1MB21212BC214AG3	3188	XXP	13.5	91.0	308	✓
10	900	284T	230/460	XP100	1MB21212CD116AG3	5124	XXP	17.0	90.2	486	
15	3600	254T	208-230/460	XP100	1MB21212BA114AG3	2671	XXP	17.5	91.0	283	✓
15	1800	254T	208-230/460	XP100	1MB21212BB114AG3	2623	XXP	19.0	92.4	303	✓
15	1200	284T	230/460	XP100	1MB21212CC116AG3	4415	XXP	21.0	91.7	481	✓
15	900	286T	230/460	XP100	1MB21212CD216AG3	6574	XXP	23.0	91.0	531	
20	3600	256T	208-230/460	XP100	1MB21212BA214AG3	3296	XXP	22.5	91.0	308	✓
20	1800	256T	208-230/460	XP100	1MB21212BB214AG3	3252	XXP	25.0	93.0	340	✓
20	1200	286T	230/460	XP100	1MB21212CC216AG3	5387	XXP	27.0	91.7	506	✓
20	900	324T	230/460	XP100	1MB21213AD116AG3	8482	XXP	32.0	91.0	636	
25	3600	284TS	230/460	XP100	1MB21212DA116AG3	4075	XXP	29.0	91.7	526	✓
25	1800	284T	230/460	XP100	1MB21212CB116AG3	3912	XXP	30.0	93.6	501	✓
25	1200	324T	230/460	XP100	1MB21213AC116AG3	6500	XXP	33.0	93.0	713	✓
25	900	326T	230/460	XP100	1MB21213AD216AG3	9885	XXP	40.0	91.0	683	

NEMA Premium® is a certification mark of the National Electrical Manufacturers Association.
 QuikMOD Delivery for stocked motors only.
 Stock availability subject to change.

900 RPM Motors meet or exceed EPA efficiency.
 Prices and Specifications are subject to change without notice.
 DOE#CC032A

Explosion proof motors

XP100

NEMA Premium®
Class I, Groups C&D, Class II, Groups F&G, Division 1

460V 60Hz – Foot mounted

HP	RPM	Frame	Voltage	Type	Part Number	List Price \$	Mult. Symb.	FL Amps	FL Nom Eff. (%)	Lbs	Stock
30	3600	286TS	230/460	XP100	1MB21212DA216AG3	4757	XXP	34.0	91.7	521	✓
30	1800	286T	230/460	XP100	1MB21212CB216AG3	4546	XXP	35.0	93.6	521	✓
30	1200	326T	230/460	XP100	1MB21213AC216AG3	7518	XXP	39.0	93.0	678	✓
30	900	364T	230/460	XP100	1MB21213CD116AG3	10420	XXP	41.0	91.7	860	
40	3600	324TS	230/460	XP100	1MB21213BA116AG3	6044	XXP	45.0	93.6	606	✓
40	1800	324T	230/460	XP100	1MB21213AB116AG3	5813	XXP	46.0	94.1	653	✓
40	1200	364T	230/460	XP100	1MB21213CC116AG3	9692	XXP	49.0	94.1	835	✓
40	900	365T	230/460	XP100	1MB21213CD216AG3	10319	XXP	63.0	91.7	940	
50	3600	326TS	230/460	XP100	1MB21213BA216AG3	7708	XXP	55.0	93.6	615	✓
50	1800	326T	230/460	XP100	1MB21213AB216AG3	7081	XXP	58.0	94.5	695	✓
50	1200	365T	230/460	XP100	1MB21213CC216AG3	11191	XXP	62.0	94.1	870	✓
50	900	404T	230/460	XP100	1MB21214AD116AG3	15978	XXP	67.0	92.4	1050	
60	3600	364TS	230/460	XP100	1MB21213DA116AG3	9349	XXP	68.0	93.6	790	✓
60	1800	364T	230/460	XP100	1MB21213CB116AG3	9248	XXP	68.0	95.0	890	✓
60	1200	404T	230/460	XP100	1MB21214AC116AG3	12420	XXP	74.0	94.5	1055	✓
60	900	405T	230/460	XP100	1MB21214AD216AG3	18166	XXP	78.0	92.4	1050	
75	3600	365TS	230/460	XP100	1MB21213DA216AG3	11400	XXP	86.0	94.1	900	✓
75	1800	365T	230/460	XP100	1MB21213CB216AG3	11369	XXP	85.0	95.4	960	✓
75	1200	405T	230/460	XP100	1MB21214AC216AG3	14263	XXP	93.0	94.5	1025	✓
75	900	444T	230/460	XP100	1MB21214CD116AG3	21919	XXP	94.0	93.6	1551	
100	3600	405TS	230/460	XP100	1MB21214BA216AG3	16053	XXP	108.0	94.1	1020	✓
100	1800	405T	230/460	XP100	1MB21214AB216AG3	14902	XXP	113.0	95.4	1115	✓
100	1200	444T	230/460	XP100	1MB21214CC116AG3	20072	XXP	117.0	95.0	1551	✓
100	900	445T	230/460	XP100	1MB21214CD216AG3	23108	XXP	123.0	94.1	1770	
125	3600	444TS	460	XP100	1MB21214DA112AG3	19573	XXP	138.0	95.0	1450	✓
125	1800	444T	460	XP100	1MB21214CB112AG3	18281	XXP	143.0	95.4	1659	✓
125	1800	444TS	460	XP100	1MB21214DB112AG3	18281	XXP	143.0	95.4	1596	✓
125	1800	444T	460	XP100	1MB21214EB112AG3	18281	XXP	143.0	95.4	1621	✓
125	1200	445T	460	XP100	1MB21214CC212AG3	22644	XXP	144.0	95.0	1771	✓
125	900	447T	460	XP100	1MB21214CD312AG3	31796	XXP	152.0	94.1	2029	
150	3600	445TS	460	XP100	1MB21214DA212AG3	24048	XXP	164.0	95.0	1611	✓
150	1800	445T	460	XP100	1MB21214CB212AG3	21783	XXP	170.0	95.8	1934	✓
150	1800	445TS	460	XP100	1MB21214DB212AG3	21783	XXP	170.0	95.8	1706	✓
150	1800	445T	460	XP100	1MB21214EB212AG3	21783	XXP	170.0	95.8	1896	✓
150	1200	447T	460	XP100	1MB21214CC312AG3	26117	XXP	172.0	95.8	2029	✓
150	900	449T	460	XP100	1MB21214CD512AG3	36346	XXP	180.0	94.1	2508	

NEMA Premium® is a certification mark of the National Electrical Manufacturers Association.
QuikMOD Delivery for stocked motors only.
Shaded ratings indicated roller bearings.

Stock availability subject to change.
900 RPM Motors meet or exceed EPA efficiency.
Prices and Specifications are subject to change without notice.
DOE#CC032A

Introduction
General Purpose Motors
Severe Duty Motors
Hazardous Duty Motors
Definite Purpose Motors
QuikMOD Detail
Custom Options Detail
Typical Performance Data
General Dimensions
Part Number Index

Explosion proof motors

XP100

NEMA Premium®

Class I, Groups C&D, Class II, Groups F&G, Division 1

460V 60Hz – Foot mounted

HP	RPM	Frame	Voltage	Type	Part Number	List Price \$	Mult. Symb.	FL Amps	FL Nom Eff. (%)	Lbs	Stock
200	3600	447TS	460	XP100	1MB21214DA312AG3	30713	XXP	216.0	95.4	2250	✓
200	1800	447T	460	XP100	1MB21214CB312AG3	26840	XXP	228.0	96.2	2314	✓
200	1800	447TS	460	XP100	1MB21214DB312AG3	26840	XXP	228.0	96.2	2250	✓
200	1800	447T	460	XP100	1MB21214EB312AG3	26840	XXP	228.0	96.2	2276	✓
200	1200	449T	460	XP100	1MB21214CC512AG3	31151	XXP	227.0	95.8	2450	✓
200	1200	449T	460	XP100	1MB21214EC512AG3	31151	XXP	227.0	95.8	2440	✓
200	900	449T	460	XP100	1MB21214CD612AG3	39057	XXP	240.0	94.5	2450	
250	3600	449TS	460	XP100	1MB21214DA512AG3	37573	XXP	265.0	95.8	2300	✓
250	1800	449T	460	XP100	1MB21214CB512AG3	32273	XXP	278.0	96.2	2453	✓
250	1800	449TS	460	XP100	1MB21214DB512AG3	32273	XXP	278.0	96.2	2453	✓
250	1800	449T	460	XP100	1MB21214EB512AG3	32273	XXP	278.0	96.2	2453	✓
250	1200	449TS	460	XP100	1MB21214DC612AG3	38095	XXP	281.0	95.8	2400	✓
300	3600	449TS	460	XP100	1MB21214DA612AG3	55226	XXP	325.0	95.8	2300	✓
300	1800	449T	460	XP100	1MB21214CB612AG3	41475	XXP	338.0	96.2	2350	✓
300	1800	449TS	460	XP100	1MB21214DB612AG3	41475	XXP	338.0	96.2	2315	✓

NEMA Premium® is a certification mark of the National Electrical Manufacturers Association.
 QuikMOD Delivery for stocked motors only.
 Shaded ratings indicated roller bearings.

Stock availability subject to change.
 900 RPM Motors meet or exceed EPA efficiency.
 Prices and Specifications are subject to change without notice.
 DOE#CC032A

Explosion proof motors

XP100

NEMA Premium®

Class I, Groups C&D, Class II, Groups F&G, Division 1

460V 60Hz – C-face footless with canopy

HP	RPM	Frame	Voltage	Type	Part Number	List Price \$	Mult. Symb.	FL Amps	FL Nom Eff. (%)	Lbs	Stock
1	1800	143TCV	230/460	XP100	1MB21211AB216LG3	1076	XXP	1.4	85.5	82	✓
1	1200	145TCV	230/460	XP100	1MB21211AC316LG3	1228	XXP	1.6	82.5	93	✓
1	900	182TCV	230/460	XP100	1MB21211CD116LG3	2111	XXP	2.1	81.5	99	✓
1.5	3600	143TCV	230/460	XP100	1MB21211AA216LG3	1119	XXP	2.0	84.0	60	✓
1.5	1800	145TCV	230/460	XP100	1MB21211AB316LG3	1141	XXP	2.1	86.5	93	✓
1.5	1200	182TCV	230/460	XP100	1MB21211CC116LG3	1343	XXP	2.4	87.5	104	✓
1.5	900	184TCV	230/460	XP100	1MB21211CD316LG3	2443	XXP	3.0	82.5	124	✓
2	3600	145TCV	230/460	XP100	1MB21211AA316LG3	1242	XXP	2.5	85.5	70	✓
2	1800	145TCV	230/460	XP100	1MB21211AB416LG3	1204	XXP	2.7	86.5	93	✓
2	1200	184TCV	230/460	XP100	1MB21211CC316LG3	1486	XXP	3.2	88.5	124	✓
2	900	213TCV	230/460	XP100	1MB21212AD116LG3	2878	XXP	3.3	84.0	158	✓
3	3600	182TCV	230/460	XP100	1MB21211CA116LG3	1360	XXP	3.8	86.5	87	✓
3	1800	182TCV	230/460	XP100	1MB21211CB116LG3	1352	XXP	4.0	89.5	109	✓
3	1200	213TCV	230/460	XP100	1MB21212AC116LG3	1761	XXP	4.3	89.5	170	✓
3	900	215TCV	230/460	XP100	1MB21212AD216LG3	3409	XXP	4.8	85.5	170	✓
5	3600	184TCV	230/460	XP100	1MB21211CA316LG3	1739	XXP	6.0	88.5	104	✓
5	1800	184TCV	230/460	XP100	1MB21211CB316LG3	1603	XXP	6.4	89.5	124	✓
5	1200	215TCV	230/460	XP100	1MB21212AC216LG3	2410	XXP	6.7	89.5	177	✓
5	900	254TCV	230/460	XP100	1MB21212BD116LG3	3934	XXP	8.8	86.5	268	✓
7.5	3600	213TCV	230/460	XP100	1MB21212AA116LG3	1934	XXP	8.8	89.5	163	✓
7.5	1800	213TCV	230/460	XP100	1MB21212AB116LG3	1919	XXP	9.7	91.7	183	✓
7.5	1200	254TCV	230/460	XP100	1MB21212BC116LG3	2945	XXP	10.0	91.0	283	✓
7.5	900	256TCV	230/460	XP100	1MB21212BD216LG3	4449	XXP	13.0	87.5	298	✓
10	3600	215TCV	230/460	XP100	1MB21212AA216LG3	2204	XXP	11.5	90.2	170	✓
10	1800	215TCV	230/460	XP100	1MB21212AB216LG3	2234	XXP	12.5	91.7	185	✓
10	1200	256TCV	230/460	XP100	1MB21212BC216LG3	3506	XXP	13.5	91.0	306	✓
15	3600	254TCV	230/460	XP100	1MB21212BA116LG3	2989	XXP	17.5	91.0	281	✓
15	1800	254TCV	230/460	XP100	1MB21212BB116LG3	2941	XXP	19.0	92.4	301	✓
15	1200	284TCV	230/460	XP100	1MB21212CC116LG3	4888	XXP	21.0	91.7	484	✓
20	3600	256TCV	230/460	XP100	1MB21212BA216LG3	3614	XXP	22.5	91.0	306	✓
20	1800	256TCV	230/460	XP100	1MB21212BB216LG3	3570	XXP	25.0	93.0	338	✓
20	1200	286TCV	230/460	XP100	1MB21212CC216LG3	5860	XXP	27.0	91.7	509	✓

NEMA Premium® is a certification mark of the National Electrical Manufacturers Association.
 QuikMOD Delivery for stocked motors only.
 Stock availability subject to change.

900 RPM Motors meet or exceed EPC efficiency.
 Prices and Specifications are subject to change without notice.
 DOE#CC032A

Explosion proof motors

XP100

NEMA Premium®

Class I, Groups C&D, Class II, Groups F&G, Division 1

575V 60Hz, Foot mounted

HP	RPM	Frame	Voltage	Type	Part Number	List Price \$	Mult. Symb.	FL Amps	FL Nom Eff. (%)	Lbs	Stock
1	1800	143T	575	XP100	1MB21211AB213AG3	862	XXP	1.1	85.5	77	✓
1	1200	145T	575	XP100	1MB21211AC313AG3	1014	XXP	1.3	82.5	88	✓
1	900	182T	575	XP100	1MB21211CD113AG3	1874	XXP	1.7	81.5	100	
1.5	3600	143T	575	XP100	1MB21211AA213AG3	905	XXP	1.6	84.0	55	✓
1.5	1800	145T	575	XP100	1MB21211AB313AG3	927	XXP	1.7	86.5	88	✓
1.5	1200	182T	575	XP100	1MB21211CC113AG3	1106	XXP	1.9	87.5	105	✓
1.5	900	184T	575	XP100	1MB21211CD313AG3	2206	XXP	2.4	82.5	125	
2	3600	145T	575	XP100	1MB21211AA313AG3	1028	XXP	2.0	85.5	65	✓
2	1800	145T	575	XP100	1MB21211AB413AG3	990	XXP	2.2	86.5	88	✓
2	1200	184T	575	XP100	1MB21211CC313AG3	1249	XXP	2.6	88.5	125	✓
2	900	213T	575	XP100	1MB21212AD113AG3	2639	XXP	2.6	84.0	161	
3	3600	182T	575	XP100	1MB21211CA113AG3	1123	XXP	3.0	86.5	88	✓
3	1800	182T	575	XP100	1MB21211CB113AG3	1115	XXP	3.2	89.5	110	✓
3	1200	213T	575	XP100	1MB21212AC113AG3	1522	XXP	3.4	89.5	173	✓
3	900	215T	575	XP100	1MB21212AD213AG3	3170	XXP	3.9	85.5	173	
5	3600	184T	575	XP100	1MB21211CA313AG3	1502	XXP	4.8	88.5	105	✓
5	1800	184T	575	XP100	1MB21211CB313AG3	1366	XXP	5.1	89.5	125	✓
5	1200	215T	575	XP100	1MB21212AC213AG3	2171	XXP	5.4	89.5	180	✓
5	900	254T	575	XP100	1MB21212BD113AG3	3616	XXP	7.0	86.5	270	
7.5	3600	213T	575	XP100	1MB21212AA113AG3	1695	XXP	7.0	89.5	165	✓
7.5	1800	213T	575	XP100	1MB21212AB113AG3	1680	XXP	7.8	91.7	185	✓
7.5	1200	254T	575	XP100	1MB21212BC113AG3	2627	XXP	8.0	91.0	285	✓
7.5	900	256T	575	XP100	1MB21212BD213AG3	4131	XXP	10.5	87.5	300	
10	3600	215T	575	XP100	1MB21212AA213AG3	1965	XXP	9.2	90.2	173	✓
10	1800	215T	575	XP100	1MB21212AB213AG3	1995	XXP	10.0	91.7	187	✓
10	1200	256T	575	XP100	1MB21212BC213AG3	3188	XXP	11.0	91.0	308	✓
10	900	284T	575	XP100	1MB21212CD113AG3	5124	XXP	14.0	90.2	486	
15	3600	254T	575	XP100	1MB21212BA113AG3	2671	XXP	14.0	91.0	283	✓
15	1800	254T	575	XP100	1MB21212BB113AG3	2623	XXP	15.0	92.4	303	✓
15	1200	284T	575	XP100	1MB21212CC113AG3	4415	XXP	17.0	91.7	481	✓
15	900	286T	575	XP100	1MB21212CD213AG3	6574	XXP	18.5	91.0	531	
20	3600	256T	575	XP100	1MB21212BA213AG3	3296	XXP	18.0	91.0	308	✓
20	1800	256T	575	XP100	1MB21212BB213AG3	3252	XXP	20.0	93.0	340	✓
20	1200	286T	575	XP100	1MB21212CC213AG3	5387	XXP	21.5	91.7	506	✓
20	900	324T	575	XP100	1MB21213AD113AG3	8482	XXP	25.0	91.0	636	
25	3600	284TS	575	XP100	1MB21212DA113AG3	4075	XXP	23.0	91.7	526	✓
25	1800	284T	575	XP100	1MB21212CB113AG3	3912	XXP	24.0	93.6	501	✓
25	1200	324T	575	XP100	1MB21213AC113AG3	6500	XXP	26.0	93.0	713	✓
25	900	326T	575	XP100	1MB21213AD213AG3	9885	XXP	32.0	91.0	683	
30	3600	286TS	575	XP100	1MB21212DA213AG3	4757	XXP	27.0	91.7	521	✓
30	1800	286T	575	XP100	1MB21212CB213AG3	4546	XXP	28.0	93.6	521	✓
30	1200	326T	575	XP100	1MB21213AC213AG3	7518	XXP	31.0	93.0	678	✓
30	900	364T	575	XP100	1MB21213CD113AG3	10420	XXP	33.0	91.7	860	

NEMA Premium® is a certification mark of the National Electrical Manufacturers Association.
QuikMOD Delivery for stocked motors only.

Stock availability subject to change.
900 RPM Motors meet or exceed EAct efficiency.
Prices and Specifications are subject to change without notice.

Explosion proof motors

XP100

NEMA Premium®
Class I, Groups C&D, Class II, Groups F&G, Division 1

575V 60Hz, Foot mounted

HP	RPM	Frame	Voltage	Type	Part Number	List Price \$	Mult. Symb.	FL Amps	FL Nom Eff. (%)	Lbs	Stock
40	3600	324TS	575	XP100	1MB21213BA113AG3	6044	XXP	36.0	93.6	606	✓
40	1800	324T	575	XP100	1MB21213AB113AG3	5813	XXP	37.0	94.1	653	✓
40	1200	364T	575	XP100	1MB21213CC113AG3	9692	XXP	39.0	94.1	835	✓
40	900	365T	575	XP100	1MB21213CD213AG3	10319	XXP	51.0	91.7	940	
50	3600	326TS	575	XP100	1MB21213BA213AG3	7708	XXP	44.0	93.6	615	✓
50	1800	326T	575	XP100	1MB21213AB213AG3	7081	XXP	46.0	94.5	695	✓
50	1200	365T	575	XP100	1MB21213CC213AG3	11191	XXP	50.0	94.1	870	✓
50	900	404T	575	XP100	1MB21214AD113AG3	15978	XXP	54.0	92.4	1050	
60	3600	364TS	575	XP100	1MB21213DA113AG3	9349	XXP	54.5	93.6	790	✓
60	1800	364T	575	XP100	1MB21213CB113AG3	9248	XXP	54.5	95.0	890	✓
60	1200	404T	575	XP100	1MB21214AC113AG3	12420	XXP	59.0	94.5	1055	✓
60	900	405T	575	XP100	1MB21214AD213AG3	18166	XXP	63.0	92.4	1050	
75	3600	365TS	575	XP100	1MB21213DA213AG3	11400	XXP	86.0	94.1	900	✓
75	1800	365T	575	XP100	1MB21213CB213AG3	11369	XXP	85.0	95.4	960	✓
75	1200	405T	575	XP100	1MB21214AC213AG3	14263	XXP	93.0	94.5	1025	✓
75	900	444T	575	XP100	1MB21214CD113AG3	21919	XXP	94.0	93.6	1551	
100	3600	405TS	575	XP100	1MB21214BA213AG3	16053	XXP	87.0	94.1	1020	
100	1800	405T	575	XP100	1MB21214AB213AG3	14902	XXP	90.5	95.4	1115	✓
100	1200	444T	575	XP100	1MB21214CC113AG3	20072	XXP	94.0	95.0	1551	
100	900	445T	575	XP100	1MB21214CD213AG3	23108	XXP	98.0	94.1	1770	
125	3600	444TS	575	XP100	1MB21214DA113AG3	19573	XXP	110.0	95.0	1450	
125	1800	444TS	575	XP100	1MB21214DB113AG3	18281	XXP	115.0	95.4	1596	
125	1800	444T	575	XP100	1MB21214CB113AG3	18281	XXP	115.0	95.4	1659	
125	1200	445T	575	XP100	1MB21214CC213AG3	22644	XXP	115.0	95.0	1771	
125	900	447T	575	XP100	1MB21214CD313AG3	31796	XXP	152.0	94.1	2029	
150	3600	445TS	575	XP100	1MB21214DA213AG3	24048	XXP	131.0	95.0	1611	
150	1800	445TS	575	XP100	1MB21214DB213AG3	21783	XXP	136.0	95.8	1706	
150	1800	445T	575	XP100	1MB21214CB213AG3	21783	XXP	136.0	95.8	1934	
150	1200	447T	575	XP100	1MB21214CC313AG3	26117	XXP	138.0	95.8	2029	
150	900	449T	575	XP100	1MB21214CD513AG3	36346	XXP	144.0	94.1	2508	
200	3600	447TS	575	XP100	1MB21214DA313AG3	30713	XXP	173.0	95.4	2250	
200	1800	447TS	575	XP100	1MB21214DB313AG3	26840	XXP	182.0	96.2	2250	
200	1800	447T	575	XP100	1MB21214CB313AG3	26840	XXP	182.0	96.2	2314	
200	1200	449T	575	XP100	1MB21214CC513AG3	31151	XXP	182.0	95.8	2450	
200	900	449T	575	XP100	1MB21214CD613AG3	39057	XXP	192.0	94.5	2450	
250	3600	449TS	575	XP100	1MB21214DA513AG3	37573	XXP	212.0	95.8	2300	
250	1800	449TS	575	XP100	1MB21214DB513AG3	32273	XXP	223.0	96.2	2453	
250	1200	449TS	575	XP100	1MB21214DC613AG3	38095	XXP	225.0	95.8	2400	
300	3600	449TS	575	XP100	1MB21214DA613AG3	55226	XXP	250.0	95.8	2300	

NEMA Premium® is a certification mark of the National Electrical Manufacturers Association.
QuikMOD Delivery for stocked motors only.
Shaded ratings indicated roller bearings.

Stock availability subject to change.
900 RPM Motors meet or exceed EPAct efficiency.
Prices and Specifications are subject to change without notice.

Explosion proof motors

XP100 ID1

XP100 ID1 explosion-proof motors are designed to meet demanding standards of performance and provide long life under oil field operating conditions. They are UL® listed and CSA certified for Class I, Division 1, Group D and Class I, Zone 1, Group IIA hazardous locations and meet the requirements of IP54 for enclosure protection

Performance specifications

- 1 to 300 HP
- 1.0 SF @ 60°C ambient,
- 1.15 SF @ 40°C, 55°C ambient (143T-447T)
- 3600, 1800, 1200 or 900 RPM
- 3-phase, 60 Hz;

208-230/460 V	1 - 20 HP
230/460V	25 - 100 HP
460V	125 - 300 HP
575V	1 - 300HP
- Meets or exceeds NEMA Premium® efficiency standards (EPAAct efficiency for 900RPM Motors)
- Class F insulation, Class B temperature rise @ 1.0 S.F.
- NEMA design B, continuous duty
- T2A temperature code (280°C) maximum surface temperature)
- 143T through 449T frame
- Adjustable speed drive capability

VT 20:1	FS 140 – 440
CT 4:1	FS 140 – 440

Features for long life

Frame and bearing housings – Cast iron frame and end shields for exceptional structural integrity, with sintered condensation drains on all frames. Lifting eyebolts are included for frames 213T to 449T.

Rotor – A unique rotor design provides improved efficiency while larger bars and end rings reduce resistance for lower rotor losses. Each die cast aluminum rotor assembly is dynamically balanced for extended bearing life, and includes a high strength carbon steel (C1045) shaft for maximum rotor performance.

Stator/Windings – Manufactured with premium electrical grade steel laminations and copper electrical magnet wire to lower losses for improved efficiencies. A unique stator core design lowers flux density while increasing cooling capacity. Large conductor cross section reduces resistance and lowers stator losses.

**NEMA
Premium**



**3
YEAR
WARRANTY**

Insulation – Proprietary Class F non-hygroscopic insulation system with NEMA Class B temperature rise, provides an extra margin of thermal life. Varnish system application insures maximum wire penetration to provide protection from moisture and corrosion.

Cooling – A bi-directional, non-sparking fan is locked and keyed to the shaft. Its design reduces windage losses, improves airflow, reduces noise and provides dependable cooling. Cast iron fan covers are provided on all frame sizes.

Bearings – Regreasable, oversized single shielded bearings with cast iron inner caps.

Lubrication – Specially formulated, high temperature, polyurea based grease.

Conduit box – Oversized cast iron, explosion proof construction, larger than industry standards, for quick and easy connections. Non-wicking, clearly and permanently marked leads.

Corrosion resistance – Cast iron construction, zinc plated hardware, epoxy enamel paint and stainless steel nameplate resist rust and corrosion.

Modifiable and custom – All Siemens motors are available with a wide variety of QuikMOD modifications and custom designs to meet your specific motor needs.



Explosion proof motors

XP100 ID1

NEMA Premium® Class 1, Group D, Division 1

460V 60Hz - Foot mounted

HP	RPM	Frame	Voltage	Type	Part Number	List Price \$	Mult. Symb.	FL Amps	FL Nom Eff. (%)	Lbs	Stock
1	1800	143T	208-230/460	XP100 ID1	1MB22211AB214AA3	779	DXP	1.4	85.5	77	✓
1	1200	145T	208-230/460	XP100 ID1	1MB22211AC314AA3	905	DXP	1.6	82.5	88	✓
1.5	3600	143T	208-230/460	XP100 ID1	1MB22211AA214AA3	810	DXP	2.0	84.0	55	
1.5	1800	145T	208-230/460	XP100 ID1	1MB22211AB314AA3	833	DXP	2.1	86.5	88	✓
1.5	1200	182T	208-230/460	XP100 ID1	1MB22211CC114AA3	984	DXP	2.4	87.5	105	✓
2	3600	145T	208-230/460	XP100 ID1	1MB22211AA314AA3	918	DXP	2.5	85.5	65	✓
2	1800	145T	208-230/460	XP100 ID1	1MB22211AB414AA3	888	DXP	2.7	86.5	88	✓
2	1200	184T	208-230/460	XP100 ID1	1MB22211CC314AA3	1108	DXP	3.2	88.5	125	✓
3	3600	182T	208-230/460	XP100 ID1	1MB22211CA114AA3	999	DXP	3.8	86.5	88	✓
3	1800	182T	208-230/460	XP100 ID1	1MB22211CB114AA3	995	DXP	4.0	89.5	110	✓
3	1200	213T	208-230/460	XP100 ID1	1MB22212AC114AA3	1345	DXP	4.3	89.5	173	✓
5	3600	184T	208-230/460	XP100 ID1	1MB22211CA314AA3	1326	DXP	6.0	88.5	105	✓
5	1800	184T	208-230/460	XP100 ID1	1MB22211CB314AA3	1211	DXP	6.4	89.5	125	✓
5	1200	215T	208-230/460	XP100 ID1	1MB22212AC214AA3	1903	DXP	6.7	89.5	180	✓
7.5	3600	213T	208-230/460	XP100 ID1	1MB22212AA114AA3	1489	DXP	8.8	89.5	165	✓
7.5	1800	213T	208-230/460	XP100 ID1	1MB22212AB114AA3	1481	DXP	9.7	91.7	185	✓
7.5	1200	254T	208-230/460	XP100 ID1	1MB22212BC114AA3	2292	DXP	10.0	91.0	285	✓
10	3600	215T	208-230/460	XP100 ID1	1MB22212AA214AA3	1717	DXP	11.5	90.2	173	✓
10	1800	215T	208-230/460	XP100 ID1	1MB22212AB214AA3	1750	DXP	12.5	91.7	187	✓
10	1200	256T	208-230/460	XP100 ID1	1MB22212BC214AA3	2767	DXP	13.5	91.0	308	✓
15	3600	254T	208-230/460	XP100 ID1	1MB22212BA114AA3	2322	DXP	17.5	91.0	283	✓
15	1800	254T	208-230/460	XP100 ID1	1MB22212BB114AA3	2290	DXP	19.0	92.4	303	✓
15	1200	284T	230/460	XP100 ID1	1MB22212CC116AA3	3814	DXP	21.0	91.7	481	✓
20	3600	256T	208-230/460	XP100 ID1	1MB22212BA214AA3	2857	DXP	22.5	91.0	308	✓
20	1800	256T	208-230/460	XP100 ID1	1MB22212BB214AA3	2829	DXP	25.0	93.0	340	✓
20	1200	286T	230/460	XP100 ID1	1MB22212CC216AA3	4638	DXP	27.0	91.7	506	✓
25	3600	284TS	230/460	XP100 ID1	1MB22212DA116AA3	3526	DXP	29.0	91.7	530	✓
25	1800	284T	230/460	XP100 ID1	1MB22212CB116AA3	3396	DXP	30.0	93.6	501	✓
25	1200	324T	230/460	XP100 ID1	1MB22213AC116AA3	5584	DXP	33.0	93.0	713	✓

NEMA Premium® is a certification mark of the National Electrical Manufacturers Association.
QuikMOD Delivery for stocked motors only.

Stock availability subject to change.
Prices and Specifications are subject to change without notice.
DOE#CC032A

Explosion proof motors

XP100 ID1

NEMA Premium®
Class 1, Group D, Division 1

460V 60Hz - Foot mounted

HP	RPM	Frame	Voltage	Type	Part Number	List Price \$	Mult. Symb.	FL Amps	FL Nom Eff. (%)	Lbs	Stock
30	3600	286TS	230/460	XP100 ID1	1MB22212DA216AA3	4110	DXP	34.0	91.7	525	✓
30	1800	286T	230/460	XP100 ID1	1MB22212CB216AA3	3940	DXP	35.0	93.6	521	✓
30	1200	326T	230/460	XP100 ID1	1MB22213AC216AA3	6449	DXP	39.0	93.0	678	✓
40	3600	324TS	230/460	XP100 ID1	1MB22213BA116AA3	5211	DXP	45.0	93.6	615	✓
40	1800	324T	230/460	XP100 ID1	1MB22213AB116AA3	5028	DXP	46.0	94.1	653	✓
40	1200	364T	230/460	XP100 ID1	1MB22213CC116AA3	8296	DXP	49.0	94.1	835	✓
50	3600	326TS	230/460	XP100 ID1	1MB22213BA216AA3	6636	DXP	55.0	93.6	615	✓
50	1800	326T	230/460	XP100 ID1	1MB22213AB216AA3	6116	DXP	58.0	94.5	687	✓
50	1200	365T	230/460	XP100 ID1	1MB22213CC216AA3	9567	DXP	62.0	94.1	870	✓
60	3600	364TS	230/460	XP100 ID1	1MB22213DA116AA3	8675	DXP	68.0	93.6	790	✓
60	1800	364T	230/460	XP100 ID1	1MB22213CB116AA3	8611	DXP	68.0	95.0	890	✓
60	1200	404T	230/460	XP100 ID1	1MB22214AC116AA3	11445	DXP	74.0	94.5	1055	✓
75	3600	365TS	230/460	XP100 ID1	1MB22213DA216AA3	10490	DXP	86.0	94.1	900	✓
75	1800	365T	230/460	XP100 ID1	1MB22213CB216AA3	10498	DXP	85.0	95.4	960	✓
75	1200	405T	230/460	XP100 ID1	1MB22214AC216AA3	13033	DXP	93.0	94.5	1025	✓
100	3600	405TS	230/460	XP100 ID1	1MB22214BA216AA3	14644	DXP	108.0	94.1	1020	✓
100	1800	405T	230/460	XP100 ID1	1MB22214AB216AA3	13641	DXP	113.0	95.4	1115	✓
100	1200	444T	230/460	XP100 ID1	1MB22214CC116AA3	18181	DXP	117.0	95.0	1551	✓
100	1200	444T	230/460	XP100 ID1	1MB22214EC116AA3	18181	DXP	117.0	95.0	1513	✓
125	3600	444TS	460	XP100 ID1	1MB22214DA112AA3	17760	DXP	138.0	95.0	1450	✓
125	1800	444T	460	XP100 ID1	1MB22214CB112AA3	16646	DXP	143.0	95.4	1659	✓
125	1800	444T	460	XP100 ID1	1MB22214EB112AA3	16646	DXP	143.0	95.4	1621	✓
125	1200	445T	460	XP100 ID1	1MB22214CC212AA3	20405	DXP	144.0	95.0	1771	✓
125	1200	445T	460	XP100 ID1	1MB22214EC212AA3	20405	DXP	144.0	95.0	1733	✓
150	3600	445TS	460	XP100 ID1	1MB22214DA212AA3	21743	DXP	164.0	95.0	1611	✓
150	1800	445T	460	XP100 ID1	1MB22214CB212AA3	19761	DXP	170.0	95.8	1934	✓
150	1800	445T	460	XP100 ID1	1MB22214EB212AA3	19761	DXP	170.0	95.8	1896	✓
150	1200	447T	460	XP100 ID1	1MB22214CC312AA3	23447	DXP	172.0	95.8	2029	✓
150	1200	447T	460	XP100 ID1	1MB22214EC312AA3	23447	DXP	172.0	95.8	1991	✓

NEMA Premium® is a certification mark of the National Electrical Manufacturers Association.
QuikMOD Delivery for stocked motors only.
Shaded ratings indicated roller bearings.

Stock availability subject to change.
Prices and Specifications are subject to change without notice.
DOE#CC032A

Explosion proof motors

XP100 ID1

NEMA Premium®
Class 1, Group D, Division 1

460V 60Hz - Foot mounted

HP	RPM	Frame	Voltage	Type	Part Number	List Price \$	Mult. Symb.	FL Amps	FL Nom Eff. (%)	Lbs	Stock
200	3600	447TS	460	XP100 ID1	1MB22214DA312AA3	27361	DXP	216.0	95.4	2250	✓
200	1800	447T	460	XP100 ID1	1MB22214CB312AA3	23993	DXP	228.0	96.2	2314	✓
200	1800	447T	460	XP100 ID1	1MB22214EB312AA3	23993	DXP	228.0	96.2	2276	✓
200	1200	449T	460	XP100 ID1	1MB22214CC512AA3	27555	DXP	227.0	95.8	2450	✓
200	1200	449T	460	XP100 ID1	1MB22214EC512AA3	27555	DXP	227.0	95.8	2440	✓
250	3600	449TS	460	XP100 ID1	1MB22214DA512AA3	32434	DXP	265.0	95.8	2300	
250	1800	449T	460	XP100 ID1	1MB22214CB512AA3	27954	DXP	278.0	96.2	2453	
250	1800	449T	460	XP100 ID1	1MB22214EB512AA3	27954	DXP	278.0	96.2	2453	
300	3600	449TS	460	XP100 ID1	1MB22214DA612AA3	41503	DXP	325.0	95.8	2300	
300	1800	449T	460	XP100 ID1	1MB22214CB612AA3	31274	DXP	338.0	96.2	2350	
300	1800	449T	460	XP100 ID1	1MB22214EB612AA3	31274	DXP	338.0	96.2	2340	

460V 60Hz - C-face footless without drip cover

HP	RPM	Frame	Voltage	Type	Part Number	List Price \$	Mult. Symb.	FL Amps	FL Nom Eff. (%)	Lbs	Stock
1	1800	143TC	230/460	XP100 ID1	1MB22211AB216GA3	869	DXP	1.4	85.5	82	✓
1.5	1800	145TC	230/460	XP100 ID1	1MB22211AB316GA3	923	DXP	2.1	86.5	93	✓
2	1800	145TC	230/460	XP100 ID1	1MB22211AB416GA3	978	DXP	2.7	86.5	93	✓
3	1800	182TC	230/460	XP100 ID1	1MB22211CB116GA3	1127	DXP	4.0	89.5	109	✓
5	1800	184TC	230/460	XP100 ID1	1MB22211CB316GA3	1343	DXP	6.4	89.5	124	✓
7.5	1800	213TC	230/460	XP100 ID1	1MB22212AB116GA3	1613	DXP	9.7	91.7	183	✓
10	1800	215TC	230/460	XP100 ID1	1MB22212AB216GA3	1882	DXP	12.5	91.7	185	✓
15	1800	254TC	230/460	XP100 ID1	1MB22212BB116GA3	2470	DXP	19.0	92.4	301	✓
20	1800	256TC	230/460	XP100 ID1	1MB22212BB216GA3	3009	DXP	25.0	93.0	338	✓
25	1800	284TC	230/460	XP100 ID1	1MB22212CB116GA3	3662	DXP	30.0	93.6	504	✓
30	1800	286TC	230/460	XP100 ID1	1MB22212CB216GA3	4206	DXP	35.0	93.6	524	✓

NEMA Premium® is a certification mark of the National Electrical Manufacturers Association.
QuikMOD Delivery for stocked motors only.
Shaded ratings indicated roller bearings.

Stock availability subject to change.
Prices and Specifications are subject to change without notice.
DOE#CC032A

Explosion proof motors

XP100 ID1

NEMA Premium®
Class 1, Group D, Division 1

575V 60Hz - Foot mounted

HP	RPM	Frame	Voltage	Type	Part Number	List Price \$	Mult. Symb.	FL Amps	FL Nom Eff. (%)	Lbs	Stock
2	1800	145T	575	XP100 ID1	1MB22211AB413AA3	888	DXP	2.2	86.5	88	✓
3	1800	182T	575	XP100 ID1	1MB22211CB113AA3	995	DXP	3.2	89.5	110	✓
5	1800	184T	575	XP100 ID1	1MB22211CB313AA3	1211	DXP	5.1	89.5	125	✓
7.5	1800	213T	575	XP100 ID1	1MB22212AB113AA3	1481	DXP	7.8	91.7	185	✓
10	1800	215T	575	XP100 ID1	1MB22212AB213AA3	1750	DXP	10.0	91.7	187	✓
15	1800	254T	575	XP100 ID1	1MB22212BB113AA3	2290	DXP	15.0	92.4	303	✓
20	1800	256T	575	XP100 ID1	1MB22212BB213AA3	2829	DXP	20.0	93.0	340	✓
25	1800	284T	575	XP100 ID1	1MB22212CB113AA3	3396	DXP	24.0	93.6	501	✓
30	1800	286T	575	XP100 ID1	1MB22212CB213AA3	3940	DXP	28.0	93.6	521	✓
40	1800	324T	575	XP100 ID1	1MB22213AB113AA3	5028	DXP	37.0	94.1	653	✓
50	1800	326T	575	XP100 ID1	1MB22213AB213AA3	6116	DXP	46.0	94.5	687	✓
60	1800	364T	575	XP100 ID1	1MB22213CB113AA3	8611	DXP	54.5	95.0	890	✓
75	1800	365T	575	XP100 ID1	1MB22213CB213AA3	10498	DXP	85.0	95.4	960	✓
100	1800	405T	575	XP100 ID1	1MB22214AB213AA3	13641	DXP	90.5	95.4	1115	✓
125	1800	444T	575	XP100 ID1	1MB22214CB113AA3	16646	DXP	115.0	95.4	1659	✓
125	1800	444T	575	XP100 ID1	1MB22214EB113AA3	16646	DXP	115.0	95.4	1621	✓
150	1800	445T	575	XP100 ID1	1MB22214CB213AA3	19761	DXP	136.0	95.8	1934	✓
150	1800	445T	575	XP100 ID1	1MB22214EB213AA3	19761	DXP	136.0	95.8	1896	✓

NEMA Premium® is a certification mark of the National Electrical Manufacturers Association.
QuikMOD Delivery for stocked motors only.
Shaded ratings indicated roller bearings.

Stock availability subject to change.
Prices and Specifications are subject to change without notice.
DOE#CC032A

Explosion proof motors

XP100 / XP100 ID1

QuikMOD options Selection and pricing

			List Price \$										
Voltage		* 12 & 13	XP100	XP100 ID1	140	180	210	250	280	320	360	400	440
Single Voltage	230V	11	HP 1-20	HP 1-20	123	123	138	159	161	-	-	-	-
	460V	12	HP 1-20 Std. HP>100	HP 1-20 Std. HP>100	123	123	138	159	Std.	Std.	Std.	Std.	Std.
	575V	13	140-S440	140-S440	nc	nc	nc	nc	nc	nc	nc	nc	nc
	208-230V/460V	14	Std. 140-250	Std. 140-250	Std	Std	Std	Std	-	-	-	-	-
	230/460V	16	Std. HP 25-100	Std. HP 25-100	119	119	133	154	Std	-	-	-	-
Special Voltage	200-600V	90	140-440	140-440	120	120	120	166	200	482	546	714	1187
Flanges and Bearing Housing		* 14	XP100	XP100 ID	140	180	210	250	280	320	360	400	440
Foot Mounted	C - Face ¹⁾	E	140-440	140-440	206	249	283	625	870	941	1016	1261	1493
	C - Face w/drip cover	N	140-440	140-440	360	403	438	794	1035	1236	1615	2099	3043
Protection		* 15	XP100	XP100 ID	140	180	210	250	280	320	360	400	440
Without thermal protection		A	-	Std	Std	Std	Std	Std	Std	Std	Std	Std	Std
Thermostats Klixon Type	Normally closed 1 x phase	G	Std	Std	Std	Std	Std	Std	Std	Std	Std	Std	Std
Mounting		* 16	XP100	XP100 ID	140	180	210	250	280	320	360	400	440
Ceiling Mount - T. Box LHS	C-2	1	140-S440	140-S440	133	133	133	133	134	134	134	134	134
Horizontal - T. box RHS	F-2	2	-	210-440	283	283	-	-	-	-	-	-	-
Horizontal - T. Box LHS	F-1	3	Std	Std	-	-	-	-	-	-	-	-	-
Vertical Shaft Down, T. Box RHS	W-6	4	140-440	140-440	191	191	191	191	191	191	191	191	202
Vertical Shaft Down, T. Box LHS	W-7	5	140-180	140-180	272	272	-	-	-	-	-	-	-
Vertical, Shaft up, T. Box LHS	W-5	6	140-180	140-180	283	283	-	-	-	-	-	-	-
Vertical, Shaft up, T. Box RHS	W-8	7	140-180	140-180	130	130	-	-	-	-	-	-	-
Ceiling Mount - T. Box RHS	C-1	8	140-180	140-180	283	283	-	-	-	-	-	-	-
Wall Mount (Additional code R1A required)	W-1	9-R1A	140-440	140-440	283	283	-	-	-	-	-	-	-
Wall Mount (Additional code R2A required)	W-2	9-R2A	140-440	140-440	129	129	129	129	130	130	130	130	130
Wall Mount (Additional code R3A required)	W-3	9-R3A	140-440	140-440	288	288	288	288	289	289	289	289	289
Wall Mount (Additional code R4A required)	W-4	9-R4A	140-440	140-S440	127	127	-	-	-	-	-	-	-
Drip Cover		K33	140-440	140-440	153	153	153	164	167	295	599	838	1550

* Position to be replaced in the part number by the chosen number or letter.
 1) C-Face with feet for 440 frames, only available with ball bearings.
 Prices and Specifications are subject to change without notice.

QuikMOD Delivery for stocked motors only.
 Stock availability subject to change.

Explosion proof motors

XP100 / XP100 ID1

QuikMOD options Selection and pricing

			List Price \$											
Bearings and Lubrication			Code	XP100	XP100 ID1	140	180	210	250	280	320	360	400	440
Roller Bearings	In lieu of ball bearings	L65	280-440	280-440	-	-	-	-	1215	1215	1215	1215	Std	
Ball Bearings	Sealed (except 2 pole, 360+ frames)	L68	140-440	Std	229	229	229	458	458	458	572	916	916	
Shafts and Seals			Code	XP100	XP100 ID1	140	180	210	250	280	320	360	400	440
Coupling	Customer Supplied	H10	140-440	140-440	485	485	485	485	485	485	716	716	716	
Terminal Box			Code	XP100	XP100 ID1	140	180	210	250	280	320	360	400	440
Maint Terminal Box	Orientation 90° CCW	J84	140-440	140-440	134	134	134	134	134	134	134	134	134	134
	Orientation 180° CCW	J85	140-440	140-440	134	134	134	134	134	134	134	134	134	134
	Orientation 270° CCW	J86	140-440	140-440	134	134	134	134	134	134	134	134	134	134
Terminal Block	Burndy Hydent YA Type	K80	140-440	140-440	170	170	170	170	171	171	171	171	171	
Frame			Code	XP100	XP100 ID1	140	180	210	250	280	320	360	400	440
Rotational Arrow	Bidirectional (not for uni-directional)	K70	140-440	140-440	141	141	141	141	142	142	142	142	142	
	Clockwise	K71	140-440	140-440	141	141	141	141	142	142	142	142	142	
	Counterclockwise	K72	140-440	140-440	141	141	141	141	142	142	142	142	142	
Lifting eyebolt		L20	140	140	43	Std	Std	Std	Std	Std	Std	Std	Std	
Grounding	Provision (tapped hole on frame w/bolt)	L27	140-440	140-440	142	142	142	164	164	186	186	186	261	
Nameplates	Additional nameplate (same info as original)	M21	140-440	140-440	163	163	163	163	164	164	164	164	164	
	Auxiliary Nameplate Max. 40 Characters	Y82	140-440	140-440	161	161	161	161	164	164	164	164	164	
Vertical Jacking	Provisions	M39	280-440	280-440	-	-	-	-	867	867	867	867	867	
Drip Cover		K33	140-440	140-440	153	153	153	164	167	295	599	838	1550	
Winding			Code	XP100	XP100 ID1	140	180	210	250	280	320	360	400	440
Insulation	Fungus Protection	C07	140-440	140-440	212	212	212	310	310	310	537	537	537	
Paint and Others			Code	XP100	XP100 ID1	140	180	210	250	280	320	360	400	440
Packaging	Sea freight - Siemens standard	B09	140-440	140-440	333	333	333	333	761	1133	1133	1506	1506	
Software			Code	XP100	XP100 ID1	140	180	210	250	280	320	360	400	440
Software	Documentation in Spanish	D05	140-440	140-440	nc	nc	nc	nc	nc	nc	nc	nc	nc	
	Certificate of Compliance	D00	140-440	140-440	296	296	296	296	299	299	299	299	299	
	Standard Data Transmittal	F40	140-440	140-440	44	44	44	44	45	45	45	45	45	
	Standard Dimension Sheet	F42	140-440	140-440	44	44	44	44	45	45	45	45	45	
	Conduit Box Dimension Sheet	F44	140-440	140-440	44	44	44	44	45	45	45	45	45	
	Wiring Diagram	F45	140-440	140-440	44	44	44	44	45	45	45	45	45	
	IOM	F46	140-440	140-440	44	44	44	44	45	45	45	45	45	
	Renewal Parts	F47	140-440	140-440	44	44	44	44	45	45	45	45	45	
	Performance Data Sheets	F49	140-440	140-440	259	259	259	259	261	261	261	261	261	
	Typical Data	F03	140-440	140-440	740	740	740	740	747	747	747	747	747	
Tests			Code	XP100	XP100 ID1	140	180	210	250	280	320	360	400	440
Test	Routine Test Report	F10	140-440	140-440	296	296	296	296	299	299	299	299	299	
	Noise	F30	140-440	140-440	4144	4144	4144	4144	4186	4183	5378	5378	5378	
	Noise (witnessed)	F32	140-440	140-440	6512	6512	6512	6512	6573	7768	7768	7768	7768	

K71, K72: Viewed from the ODE.
Prices and Specifications are subject to change without notice.

QuikMOD Delivery for stocked motors only.
Stock availability subject to change.

Introduction
General Purpose Motors
Severe Duty Motors
Hazardous Duty Motors
Definite Purpose Motors
QuikMOD Detail
Custom Options Detail
Typical Performance Data
General Dimensions
Part Number Index

Explosion proof motors

XP100 / XP100 ID1

Custom options Selection and pricing

			List Price \$										
Voltage		* 12 & 13	XP100	XP100 ID1	140	180	210	250	280	320	360	400	440
Single Voltage	230V	11	HP 1-20	HP 1-20	123	123	138	159	161	161	191	191	–
	460V	12	HP 1-20 Std. HP>100	HP 1-20 Std. HP>100	123	123	138	159	161	161	191	191	Std.
	575V	13	140-280	140-440	nc	nc	nc	nc	nc	nc	nc	nc	nc
	208-230V/460V	14	Std. 140-250	Std. 140-250	Std	Std	Std	Std	–	–	–	–	–
	230/460V	16	Std. HP 25-100	Std. HP 25-100	119	119	133	154	Std	Std	Std	Std	Std
Wye Start - Delta Run	200V 60Hz	30	280-360	280-360	–	–	–	–	155	188	276	–	–
	230V 60Hz	31	280-360	280-360	–	–	–	–	155	188	276	–	–
	460V 60Hz	32	280-440	280-440	–	–	–	–	155	188	276	433	750
	575V 60Hz	33	280-440	280-440	–	–	–	–	155	188	276	433	720
Special Voltage	200-600V	90	140-440	140-440	120	120	120	166	200	482	546	714	1187
Flanges and Bearing Housing		* 14	XP100	XP100 ID1	140	180	210	250	280	320	360	400	440
Foot Mounted	End shield	A	Std	Std	–	–	–	–	–	–	–	–	–
	C - Face ¹⁾	E	140-440	140-440	206	249	283	625	870	941	1016	1261	1493
	C - Face w/drip cover	N	140-440	140-440	360	403	438	794	1035	1236	1615	2099	3043
Round Body	C - Face	G	140-250	140-250	226	282	316	676	946	1038	1327	1709	2351
	C - Face w/drip cover	L	140-440	140-440	378	434	469	840	1106	1324	1907	2522	3853
Protection		* 15	XP100	XP100 ID1	140	180	210	250	280	320	360	400	440
Without thermal protection		A	–	Std	–	–	–	–	–	–	–	–	–
PTC Thermistors	3 embedded, 1 x phase	B	140-440	140-440	634	634	634	634	634	634	634	634	634
PTC Thermistors	6 embedded, 2 per phase	C	140-440	140-440	1268	1268	1268	1268	1268	1268	1268	1268	1268
KTY84-130	2 embedded	F	140-440	140-440	981	981	981	981	981	981	981	981	981
Thermostats Klixon Type	Normally closed, 1 x phase	G	Std	–	–	–	–	–	–	–	–	–	–
Mounting		* 16	XP100	XP100 ID1	140	180	210	250	280	320	360	400	440
Ceiling Mount - T. Box LHS	C-2	1	140-S440	140-S440	133	133	133	133	134	134	134	134	134
Horizontal - T. box RHS	F-2	2	140-440	140-440	283	283	283	283	284	284	284	284	284
Horizontal - T. Box LHS	F-1	3	Std	Std	–	–	–	–	–	–	–	–	–
Vertical Shaft Down, T. Box RHS	W-6	4	140-440	140-440	191	191	191	191	191	191	191	191	202
Vertical Shaft Down, T. Box LHS	W-7	5	140-440	140-440	272	272	272	272	272	272	272	272	288
Vertical, Shaft up, T. Box LHS	W-5	6	140-440	140-440	283	283	283	283	284	284	284	284	284
Vertical, Shaft up, T. Box RHS	W-8	7	140-S440	140-440	130	130	130	130	131	131	131	131	130
Ceiling Mount - T. Box RHS	C-1	8	140-440	140-440	283	283	283	283	284	284	284	284	284
Wall Mount (Additional code R1A required)	W-1	9-R1A	140-440	140-480	283	283	283	283	284	284	284	284	284
Wall Mount (Additional code R2A required)	W-2	9-R2A	140-440	140-440	129	129	129	129	130	130	130	130	130
Wall Mount (Additional code R3A required)	W-3	9-R3A	140-440	140-440	288	288	288	288	289	289	289	289	289
Wall Mount (Additional code R4A required)	W-4	9-R4A	140-440	140-440	127	127	127	127	128	128	128	128	128

* Position to be replaced in the part number by the chosen number or letter.
1) C-Face with feet for 440 frames, only available with ball bearings.

Prices and Specifications are subject to change without notice.
Stock availability subject to change.

Explosion proof motors

XP100 / XP100 ID1

Custom options Selection and pricing

			List Price \$										
Bearings and Lubrication		Code	XP100	XP100 ID1	140	180	210	250	280	320	360	400	440
Special Grease	Mobil 28	L57	140-440	140-440	485	895	895	895	895	1230	1230	1640	1640
	Mobilith SHC 100	L58	140-440	140-440	336	336	336	336	336	634	634	634	634
Roller Bearings	In lieu of ball bearings	L65	280-440	280-440	–	–	–	–	1215	1215	1215	1215	Std
Ball Bearings	Sealed (except 2 pole, 360+ frames)	L68	140-S440	140-440	229	229	229	458	458	458	572	916	916
Shafts & Seals		Code	XP100	XP100 ID1	140	180	210	250	280	320	360	400	440
Special Shaft	Drive End	Y50	140-440	140-440	cf	cf	cf	cf	cf	cf	cf	cf	cf
Special Shaft	Opposite Drive End	Y51	140-440	140-440	cf	cf	cf	cf	cf	cf	cf	cf	cf
NEMA Std Short Shaft	Opposite Drive End Shaft	M53	140-440	140-440	132	132	132	176	272	392	443	490	542
NEMA Std Long Shaft	Opposite Drive End Shaft	M52	140-440	140-440	133	133	133	179	272	392	443	490	555
Brass Seal		L84	140-440	–	133	133	133	133	133	133	133	133	133
Coupling	Customer Supplied	H10	140-440	140-440	485	485	485	485	485	485	716	716	716
Terminal Box		Code	XP100	XP100 ID1	140	180	210	250	280	320	360	400	440
Maint Terminal Box	Orientation 90° CCW	J84	140-440	140-440	134	134	134	134	134	134	134	134	134
	Orientation 180° CCW	J85	140-440	140-440	134	134	134	134	134	134	134	134	134
	Orientation 270° CCW	J86	140-440	140-440	134	134	134	134	134	134	134	134	134
Explosion Proof Condulet	Opposite to Main Terminal Box	JX6	280-440	280-440	–	–	–	–	560	560	560	560	560
Terminal Block	Burndy Hydent YA Type	K80	140-440	140-440	170	170	170	170	171	171	171	171	171
Frame		Code	XP100	XP100 ID1	140	180	210	250	280	320	360	400	440
Rotational Arrow	Bidirectional (not for uni-directional)	K70	140-440	140-440	141	141	141	141	142	142	142	142	142
	Clockwise	K71	140-440	140-440	141	141	141	141	142	142	142	142	142
	Counterclockwise	K72	140-440	140-440	141	141	141	141	142	142	142	142	142
Lifting Eyebolt		L20	140	140	43	Std	Std	Std	Std	Std	Std	Std	Std
Grounding Frame	Provision (tapped hole w/bolt)	L27	140-440	140-440	142	142	142	164	164	186	186	186	261
Drain Plugs	Crouse Hinds UL approved	L46	280-360	280-440	–	–	–	–	353	353	353	353	353
Nameplates	Additional nameplate (Replica of original)	M21	140-440	140-400	163	163	163	163	164	164	164	164	164
	Derate Service Factor Altitude &/or Amb. Temperature	Y80	140-440	140-440	161	161	161	161	164	164	164	164	164
	Auxiliary Nameplate Max 40 Characters	Y82	140-440	140-440	161	161	161	161	164	164	164	164	164
Vertical Jacking	Provisions	M39	280-440	280-440	–	–	–	–	867	867	867	867	867
Winding		Code	XP100	XP100 ID1	140	180	210	250	280	320	360	400	440
Insulation	Class H ¹⁾	C00	140-440	140-440	122	122	122	157	261	343	438	634	904
	Vacuum Pressure Impregnation (VPI)	C01	140-440	140-440	1670	1670	1670	1670	2147	2147	2714	3430	3728
	Moisture/Powerhouse (extra dip & bake)	C04	Std	Std	–	–	–	–	–	–	–	–	–
	Fungus Protection	C07	140-440	140-440	212	212	212	310	310	310	537	537	537
Space Heaters EX	115V Single Phase Explosion Proof	A43	140-440	140-440	409	409	409	409	611	611	734	897	1062
	230V Single Phase Explosion Proof	A45	140-440	140-440	409	409	409	409	611	611	734	897	1062

1) Lead cable and thermal protectors leads are insulation class F. K71, K72: Viewed from the ODE.

Prices and Specifications are subject to change without notice. Stock availability subject to change.

Explosion proof motors

XP100 / XP100 ID1

Custom options Selection and pricing

				List Price \$									
Paint and Others		Code	XP100	XP100 ID1	140	180	210	250	280	320	360	400	440
Special Paint	3 Part Epoxy	N02	140-440	140-440	2761	2761	2761	2761	2761	2761	2761	2761	2761
Standard Paint	Special Color	Y60	140-440	140-440	554	554	554	554	557	557	557	557	557
Balance	Precision	M69	140-440	140-440	190	190	190	218	218	248	248	313	313
	Extra Precision	M70	140-440	140-440	312	312	330	330	376	376	506	506	651
Packaging	Sea freight - Siemens Standard	B09	140-440	140-440	333	333	333	333	761	1133	1133	1506	1506
	Special	B10	140-440	140-440	cf	cf	cf	cf	cf	cf	cf	cf	cf
Software		Code	XP100	XP100 ID1	140	180	210	250	280	320	360	400	440
Software	Documentation in Spanish	D05	140-440	140-440	nc	nc	nc	nc	nc	nc	nc	nc	nc
	Certification of Compliance	F00	140-440	140-440	296	296	296	296	299	299	299	299	299
	Standard Date Transmittal	F40	140-440	140-440	44	44	44	44	45	45	45	45	45
	Standard Dimension Sheet	F42	140-440	140-440	44	44	44	44	45	45	45	45	45
	Conduit Box Dimension Sheet	F44	140-440	140-440	44	44	44	44	45	45	45	45	45
	Wiring Diagram	F45	140-440	140-440	44	44	44	44	45	45	45	45	45
	IOM	F46	140-440	140-440	44	44	44	44	45	45	45	45	45
	Renewal Parts	F47	140-440	140-440	44	44	44	44	45	45	45	45	45
	Performance Data Sheets	F49	140-440	140-440	259	259	259	259	261	261	261	261	261
	Typical Data	F03	140-440	140-440	740	740	740	740	747	747	747	747	747
	Nonstandard Dimension Sheet	F43	140-440	140-440	518	518	518	518	523	523	523	523	523
	Customer Specific Data Sheets	F50	140-440	140-440	518	518	518	518	523	523	523	523	523
Special Calculated Data	F07	140-440	140-440	1184	1184	1184	1184	1195	1195	1195	1195	1195	
Tests		Code	XP100	XP100 ID1	140	180	210	250	280	320	360	400	440
Test	Routine Test Report	F10	140-440	140-440	296	296	296	296	299	299	299	299	299
	Routine Test Report (Witnessed)	F12	140-440	140-440	1628	1628	1628	1628	1643	1972	2360	2569	2778
	Complete Test	F15	140-440	140-440	6749	6749	6749	6749	6812	7917	9680	11054	12010
	Complete Test (Witnessed)	F17	140-440	140-440	10123	10123	10123	10123	10217	11890	14519	16581	18015
	Calibration Test	F27	140-440	140-440	5062	5062	5062	5062	5109	5938	7260	8290	9007
	Electrical Duplicate (Routine Test)	F36	140-440	140-440	296	296	296	296	299	299	299	299	299
	Electrical Duplicate (Complete Test)	F20	140-440	140-440	592	592	592	592	597	597	597	597	597
	Routine Test + Vibration	F20	140-440	140-440	592	592	592	592	597	597	597	597	597
	Routine Test + Vibration (Witnessed)	F22	140-440	140-440	3256	3256	3256	3256	3286	3286	3286	3286	3286

Prices and Specifications are subject to change without notice.
Stock availability subject to change.

Definite purpose motors

SD10 MS (Multi-speed 1800/900 RPM)

1 Winding variable torque

SD10 MS high efficiency, severe duty, multi-speed motors are ideal for both indoor and outdoor applications and in severe duty operating atmospheres, such as cooling towers, that require more than one base speed. They meet or exceed NEMA and CSA standards and the operational standards for severe operating environments.

Performance specifications

- 1 to 250 HP
- 1.15 service factor, 40°C ambient
- 1 winding, 1800/900 RPM, variable torque
- 3 phase, 60 Hz;
460V 1 - 250 HP
- Class F insulation,
Class B Temperature Rise
- NEMA Design B, Continuous Duty
- 143T through 449T frame

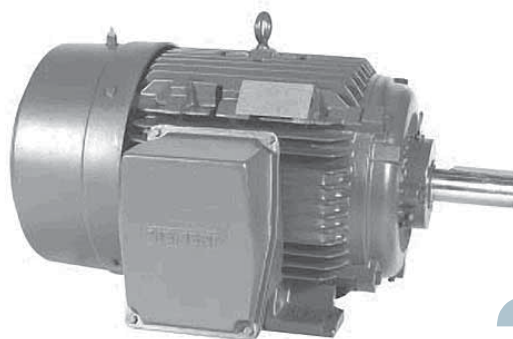
Features for long life

Frame and bearing housings – Cast iron construction for exceptional structural integrity and corrosion resistance. Condensation T-drains provided. Lifting eyebolts are included for frames > 75 lbs.

Rotor – A unique rotor bar design provides improved efficiency while larger bars and end rings reduce resistance for lower rotor losses. Each die cast aluminum rotor assembly is dynamically balanced for extended bearing life, and includes a high strength carbon steel (C1045) shaft for maximum rotor performance.

Stator/Windings – Manufactured with premium electrical grade steel laminations and copper electrical magnet wire to lower losses for improved efficiencies. A unique stator core design lowers flux density while increasing cooling capacity. Large conductor cross section reduces resistance and lowers stator losses.

Insulation – Proprietary NEMA Class F non-hygroscopic insulation system with Class B temperature rise, provides an extra margin of thermal life. Varnish system application ensures maximum wire penetration to provide protection from moisture and vibration.



Cooling – A bi-directional, non-sparking fan is locked and keyed to the shaft. Its design reduces windage losses, improves airflow, reduces noise and provides dependable cooling. Cast iron fan covers are provided on all frame sizes.

Bearings – Regreasable, oversized single shielded with cast iron inner caps. Alemite® grease fittings on the inlets and pipe plugs on the relief ports for ease of routine maintenance. For added bearing protection, 143T-256T frames have a drive end shaft seal and 284T-449T frames have a drive end shaft V-ring slinger.

Lubrication – A specially formulated, high temperature, polyurea based grease.

Conduit box – Oversized, cast iron construction that is larger than industry standards, diagonally-split, neoprene gasketed and rotatable in 90° increments for quick and easy connections. A ground lug is provided. Non-wicking, clearly and permanently marked leads.

Corrosion resistance – Cast iron construction, corrosion resistant hardware, alkylated modified paint and stainless steel nameplate resist rust and corrosion.

Modifiable and custom – All Siemens motors are available with a wide variety of QuikMOD modifications and custom designs to meet your specific motor needs.



Definite purpose motors

SD10 MS (Multi-speed)

1 Winding variable torque

460V 60Hz - Foot mounted

HP		RPM		Frame	Voltage	Type	Part Number	List Price \$	Mult. Symb.
High	Low	High	Low						
1	0.25	1800	900	143T	460	SD10 MS	1LE23011AM240AA3	772	SD4
1.5	0.37	1800	900	145T	460	SD10 MS	1LE23011AM340AA3	856	SD4
2	0.5	1800	900	182T	460	SD10 MS	1LE23011CM140AA3	948	SD4
3	0.75	1800	900	184T	460	SD10 MS	1LE23011CM340AA3	1052	SD4
5	1.2	1800	900	184T	460	SD10 MS	1LE23011CM440AA3	1183	SD4
5	1.2	1800	900	213T	460	SD10 MS	1LE23012AM140AA3	1229	SD4
7.5	1.9	1800	900	215T	460	SD10 MS	1LE23012AM240AA3	1617	SD4
10	2.5	1800	900	254T	460	SD10 MS	1LE23012BM140AA3	2006	SD4
15	3.7	1800	900	256T	460	SD10 MS	1LE23012BM240AA3	2642	SD4
20	5	1800	900	284T	460	SD10 MS	1LE23012CM140AA3	3293	SD4
25	6.2	1800	900	286T	460	SD10 MS	1LE23012CM240AA3	3905	SD4
30	7.5	1800	900	324T	460	SD10 MS	1LE23013AM140AA3	4552	SD4
40	10	1800	900	326T	460	SD10 MS	1LE23013AM240AA3	6047	SD4
50	12	1800	900	364T	460	SD10 MS	1LE23013CM140AA3	7427	SD4
60	15	1800	900	365T	460	SD10 MS	1LE23013CM240AA3	10655	SD4
75	19	1800	900	405T	460	SD10 MS	1LE23014AM240AA3	13506	SD4
100	25	1800	900	444TS	460	SD10 MS	1LE23014DM140AA3	15263	SD4
100	25	1800	900	B444T	460	SD10 MS	1LE23014EM140AA3	15263	SD4
125	31	1800	900	445TS	460	SD10 MS	1LE23014DM240AA3	19439	SD4
125	31	1800	900	B445T	460	SD10 MS	1LE23014EM240AA3	19439	SD4
150	37	1800	900	447TS	460	SD10 MS	1LE23014DM340AA3	23463	SD4
150	37	1800	900	B447T	460	SD10 MS	1LE23014EM340AA3	23463	SD4
200	50	1800	900	449TS	460	SD10 MS	1LE23014DM340AA3	28213	SD4
200	50	1800	900	B449T	460	SD10 MS	1LE23014EM340AA3	28213	SD4
250	62.5	1800	900	449TS	460	SD10MS	1LE23014DM640AA3	38965	SD4
250	62.5	1800	900	B449T	460	SD10MS	1LE23014EM640AA3	38965	SD4

575V 60Hz - Foot mounted

HP		RPM		Frame	Voltage	Type	Part Number	List Price \$	Mult. Symb.
High	Low	High	Low						
25	6.2	1800	900	286T	575	SD10 MS	1LE23012CM244AA3	3905	SD4
30	7.5	1800	900	324T	575	SD10 MS	1LE23013AM144AA3	4552	SD4
40	10	1800	900	326T	575	SD10 MS	1LE23013AM244AA3	6047	SD4
50	12	1800	900	364T	575	SD10 MS	1LE23013CM144AA3	7427	SD4
60	15	1800	900	365T	575	SD10 MS	1LE23013CM244AA3	10655	SD4
75	19	1800	900	405T	575	SD10 MS	1LE23014AM244AA3	13506	SD4
100	25	1800	900	444TS	575	SD10 MS	1LE23014DM144AA3	15263	SD4
100	25	1800	900	B444T	575	SD10 MS	1LE23014EM144AA3	15263	SD4
125	31	1800	900	445TS	575	SD10 MS	1LE23014DM244AA3	19439	SD4
125	31	1800	900	B445T	575	SD10 MS	1LE23014EM244AA3	19439	SD4
150	37	1800	900	447TS	575	SD10 MS	1LE23014DM344AA3	23463	SD4
150	37	1800	900	B447T	575	SD10 MS	1LE23014EM344AA3	23463	SD4
200	50	1800	900	449TS	575	SD10 MS	1LE23014DM344AA3	28213	SD4
200	50	1800	900	B449T	575	SD10 MS	1LE23014EM344AA3	28213	SD4
250	62.5	1800	900	449TS	575	SD10 MS	1LE23014DM644AA3	38956	SD4
250	62.5	1800	900	B449T	575	SD10 MS	1LE23014EM644AA3	38956	SD4

QuikMOD Delivery for stocked motors only.
 Stock availability subject to change.
 Prices and Specifications are subject to change without notice.

Definite purpose motors

RGZESDI

RGZESDI severe duty TEFC motors are designed for inverter or vector applications where up to a 10:1 constant torque speed range is required. These motors are well suited to be used with adjustable speed applications such as mixers, chemical processing, pulp and paper, waste management and petro/chemical.

Performance specifications

- 1 to 350 HP
- 3600, 1800, 1200 RPM base speeds
- 3 phase, 60 Hz,
460V 1 - 350 HP
- Class F insulation
- 143T through S449 frame

Features for long life

Frame and bearing housings – Cast iron construction for exceptional structural integrity and corrosion resistance. Condensation T-drains provided. Lifting eyebolts are included for motors > 75 lbs.

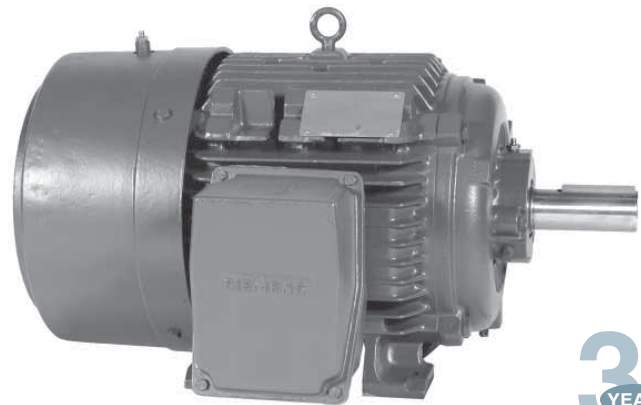
Rotor – A unique rotor design provides improved efficiency while larger bars and end rings reduce resistance for lower rotor losses. Each die cast aluminum rotor assembly is dynamically balanced for extended bearing life, and includes a high strength carbon steel (C1045) shaft for maximum rotor performance.

Stator/Windings – Manufactured with premium electrical grade steel laminations and copper electrical magnet wire to lower losses for improved efficiencies. A unique stator core design lowers flux density while increasing cooling capacity. Large conductor cross section reduces resistance, also lowering stator losses.

Insulation – Proprietary inverter-duty Class F non-hygroscopic (corona resistant) insulation class F system provides an extra margin of thermal life. All motors are equipped with two series connected, normally closed, Class F thermostats for detection of overload conditions and/or excessive heating. For operation from adjustable speed drives with an insulation system that meets or exceeds NEMA MG1-2006, Part 31.

Cooling – A bi-directional, non-sparking fan is locked and keyed to the shaft. Its design reduces windage losses, improves airflow, reduces noise and provides dependable cooling. Cast iron fan covers are provided on all frame sizes.

10:1 Constant torque Adjustable speed drive only



3
YEAR
WARRANTY

Bearings – Regreasable, oversized single shielded with cast iron inner caps. Alemite® grease fittings on the inlets and pipe plugs on the relief ports for ease of routine maintenance. For added bearing protection, 143T-256T frames have a drive end shaft seal and 284T-S449 frames have a drive end shaft V-ring slinger.

Lubrication – Specially formulated, high temperature tested, polyurea based grease.

Conduit box – Oversized cast iron construction that is larger than industry standards, diagonally-split, neoprene gasketed and rotatable in 90° increments for quick and easy connections. A ground lug is provided. Non-wicking, clearly and permanently marked leads.

Corrosion resistance – Cast iron construction, zinc-plated hardware, epoxy enamel paint and stainless steel nameplate resist rust and corrosion.

Modifiable and custom – All Siemens motors are available with a wide variety of **QuikMOD** modifications and custom designs to meet your specific motor needs.



Definite purpose motors

RGZESDI

10:1 Constant torque Adjustable speed drive only

460V 60Hz - Foot mounted

HP	RPM	Frame	Voltage	Type	Part Number	List Price \$	Mult. Symb.	FL Amps	Lbs	Stock
1	1800	143T	460	RGZESDI 10:1	1PC28911AB212AG3	1247	SA-7INV	1.5	45	✓
1	1200	145T	460	RGZESDI 10:1	1PC28911AC312AG3	1375	SA-7INV	1.8	55	✓
1.5	3600	143T	460	RGZESDI 10:1	1PC28911AA212AG3	1412	SA-7INV	2.0	45	✓
1.5	1800	145T	460	RGZESDI 10:1	1PC28911AB312AG3	1295	SA-7INV	2.2	55	✓
1.5	1200	182T	460	RGZESDI 10:1	1PC28911CC112AG3	1616	SA-7INV	2.3	85	✓
2	3600	145T	460	RGZESDI 10:1	1PC28911AA312AG3	1466	SA-7INV	2.5	55	✓
2	1800	145T	460	RGZESDI 10:1	1PC28911AB412AG3	1351	SA-7INV	2.9	62	✓
2	1200	184T	460	RGZESDI 10:1	1PC28911CC312AG3	1729	SA-7INV	3.0	100	✓
3	3600	182T	460	RGZESDI 10:1	1PC28911CA112AG3	1724	SA-7INV	3.6	85	✓
3	1800	182T	460	RGZESDI 10:1	1PC28911CB112AG3	1584	SA-7INV	3.9	85	✓
3	1200	213T	460	RGZESDI 10:1	1PC28912AC112AG3	1906	SA-7INV	4.0	135	✓
5	3600	184T	460	RGZESDI 10:1	1PC28911CA312AG3	1898	SA-7INV	5.8	100	✓
5	1800	184T	460	RGZESDI 10:1	1PC28911CB312AG3	1745	SA-7INV	6.5	100	✓
5	1200	215T	460	RGZESDI 10:1	1PC28912AC212AG3	2437	SA-7INV	6.8	160	✓
7.5	3600	213T	460	RGZESDI 10:1	1PC28912AA112AG3	2184	SA-7INV	8.8	151	✓
7.5	1800	213T	460	RGZESDI 10:1	1PC28912AB112AG3	2051	SA-7INV	9.5	157	✓
7.5	1200	256T	460	RGZESDI 10:1	1PC28912BC012AG3	3482	SA-7INV	9.8	300	
10	3600	215T	460	RGZESDI 10:1	1PC28912AA212AG3	2570	SA-7INV	12.0	160	✓
10	1800	215T	460	RGZESDI 10:1	1PC28912AB212AG3	2340	SA-7INV	13.0	160	✓
10	1200	284T	460	RGZESDI 10:1	1PC28912CC712AG3	4479	SA-7INV	13.0	380	
15	3600	256T	460	RGZESDI 10:1	1PC28912BA012AG3	3707	SA-7INV	17.0	295	
15	1800	256T	460	RGZESDI 10:1	1PC28912BB012AG3	3563	SA-7INV	19.0	295	
15	1200	286T	460	RGZESDI 10:1	1PC28912CC812AG3	5237	SA-7INV	20.0	450	
20	3600	284TS	460	RGZESDI 10:1	1PC28912DA512AG3	4977	SA-7INV	23.0	380	
20	1800	284T	460	RGZESDI 10:1	1PC28912CB712AG3	4143	SA-7INV	26.0	380	
20	1200	324T	460	RGZESDI 10:1	1PC28913BC712AG3	6379	SA-7INV	26.0	565	
25	3600	286TS	460	RGZESDI 10:1	1PC28912DA612AG3	5658	SA-7INV	29.0	450	
25	1800	286T	460	RGZESDI 10:1	1PC28912CB812AG3	5107	SA-7INV	29.0	450	
25	1200	326T	460	RGZESDI 10:1	1PC28913AC012AG3	7181	SA-7INV	33.0	600	
30	3600	324TS	460	RGZESDI 10:1	1PC28913BA512AG3	6629	SA-7INV	34.0	565	
30	1800	324T	460	RGZESDI 10:1	1PC28913BB712AG3	5775	SA-7INV	35.0	565	
30	1200	364T	460	RGZESDI 10:1	1PC28913DC712AG3	9304	SA-7INV	39.0	830	
40	3600	326TS	460	RGZESDI 10:1	1PC28913BA612AG3	7663	SA-7INV	45.0	600	
40	1800	326T	460	RGZESDI 10:1	1PC28913AB012AG3	7013	SA-7INV	47.0	600	
40	1200	365T	460	RGZESDI 10:1	1PC28913CC012AG3	10489	SA-7INV	52.0	850	
50	3600	364TS	460	RGZESDI 10:1	1PC28913DA512AG3	10426	SA-7INV	55.0	830	
50	1800	364T	460	RGZESDI 10:1	1PC28913DB712AG3	9537	SA-7INV	58.0	830	
50	1200	404T	460	RGZESDI 10:1	1PC28914AC712AG3	13455	SA-7INV	66.0	1100	

QuikMOD Delivery for stocked motors only.
Stock availability subject to change.
Prices and Specifications are subject to change without notice.

Definite purpose motors

RGZESDI

10:1 Constant torque
Adjustable speed drive only

460V 60Hz - Foot mounted

HP	RPM	Frame	Voltage	Type	Part Number	List Price \$	Mult. Symb.	FL Amps	Lbs	Stock
60	3600	365TS	460	RGZESDI 10:1	1PC28913DA612AG3	12847	SA-7INV	68.0	850	
60	1800	365T	460	RGZESDI 10:1	1PC28913CB012AG3	11734	SA-7INV	71.0	850	
60	1200	405T	460	RGZESDI 10:1	1PC28914BC612AG3	15675	SA-7INV	74.0	1250	
75	3600	405TS	460	RGZESDI 10:1	1PC28914BA512AG3	17519	SA-7INV	85.0	1250	
75	1800	405T	460	RGZESDI 10:1	1PC28914BB612AG3	14632	SA-7INV	87.0	1250	
75	1200	444TS	460	RGZESDI 10:1	1PC28914PC112AG3	19367	SA-7INV	93.0	1620	
100	3600	444TS	460	RGZESDI 10:1	1PC28914PA112AG3	20794	SA-7INV	108.0	1620	
100	1800	444TS	460	RGZESDI 10:1	1PC28914PB112AG3	19024	SA-7INV	113.0	1620	
100	1200	445TS	460	RGZESDI 10:1	1PC28914PC212AG3	23320	SA-7INV	117.0	1740	
125	3600	445TS	460	RGZESDI 10:1	1PC28914PA212AG3	21784	SA-7INV	138.0	2740	
125	1800	445TS	460	RGZESDI 10:1	1PC28914PB212AG3	21785	SA-7INV	143.0	1740	
125	1200	447TS	460	RGZESDI 10:1	1PC28914PC312AG3	25850	SA-7INV	144.0	2000	
150	3600	447TS	460	RGZESDI 10:1	1PC28914PA312AG3	29883	SA-7INV	164.0	1740	
150	1800	447TS	460	RGZESDI 10:1	1PC28914PB312AG3	26054	SA-7INV	170.0	2000	
150	1200	449TS	460	RGZESDI 10:1	1PC28914PC412AG3	31185	SA-7INV	170.0	2300	
200	3600	449TS	460	RGZESDI 10:1	1PC28914PA412AG3	36924	SA-7INV	223.0	2300	
200	1800	449TS	460	RGZESDI 10:1	1PC28914PB412AG3	32170	SA-7INV	239.0	2300	
200	1200	449TS	460	RGZESDI 10:1	1PC28914PC512AG3	35542	SA-7INV	238.0	2300	
250	3600	449TS	460	RGZESDI 10:1	1PC28914PA512AG3	45337	SA-7INV	282.0	2300	
250	1800	449TS	460	RGZESDI 10:1	1PC28914PB512AG3	36469	SA-7INV	302.0	2300	
250	1200	S449SS	460	RGZESDI 10:1	1PC28914GC212AG3	60331	SA-7INV	296.0	3050	
300	3600	S449SS	460	RGZESDI 10:1	1PC28914GA212AG3	61695	SA-7INV	333.0	3063	
300	1800	S449SS	460	RGZESDI 10:1	1PC28914GB112AG3	52151	SA-7INV	356.0	3050	
350	3600	S449SS	460	RGZESDI 10:1	1PC28914GA112AG3	56329	SA-7INV	392.0	3050	
350	1800	S449SS	460	RGZESDI 10:1	1PC28914GB212AG3	58187	SA-7INV	406.0	3050	

QuikMOD Delivery for stocked motors only.
Stock availability subject to change.
Prices and Specifications are subject to change without notice.

Definite purpose motors

RGKESDI / RGZESDI

RGKESDI / RGZESDI is a line of severe duty TEFC and TEBC (blower cooled) motors are designed specifically for inverter or vector applications where up to a 1000:1 constant torque speed range is required. These motors are well suited to be used in adjustable speed applications such as mixers, chemical processing, pulp and paper and petro/chemical.

Performance specifications

- 1 to 400 HP
- 1800 and 1200 RPM base speed
- 3 phase, 60 Hz, 460V 1 - 400 HP
- Class F insulation
- 143T through S449 frame

Features for long life

Frame and bearing housings – Cast iron construction for exceptional structural integrity and corrosion protection. Condensation T-drains provided. Lifting eyebolts are included for motors > 75 lbs.

Rotor – A unique rotor design provides improved efficiency while larger bars and end rings reduce resistance for lower rotor losses. Each die cast aluminum rotor assembly is dynamically balanced for extended bearing life, and includes a high strength carbon steel (C1045) shaft for maximum rotor performance.

Stator/Windings – Manufactured with premium electrical grade steel laminations and copper electrical magnet wire to lower losses for improved efficiencies. A unique stator core design lowers flux density while increasing cooling capacity. Large conductor cross section reduces resistance, also lowering stator losses.

Insulation – Proprietary inverter-duty Class F non-hygroscopic, corona resistant, class F insulation system provides an extra margin of thermal life. All motors are equipped with two series connected, normally closed, Class F thermostats for detection of overload conditions and/or excessive heating. Insulation system meets or exceeds NEMA MG1-2006, Part 31.

Cooling – A bi-directional, non-sparking fan is locked and keyed to the shaft. Its design reduces windage losses, improves airflow, reduces noise and provides dependable cooling. Cast iron fan covers are provided on all frame sizes.

1000:1 Constant torque Adjustable speed drive only



3
YEAR
WARRANTY

Bearings – Regreasable, oversized single shielded with cast iron inner caps. Alemite® grease fittings on the inlets and pipe plugs on the relief ports for ease of routine maintenance. For added bearing protection, 143T-256T frames have a drive end shaft seal and 284T-S449 frames have a drive end shaft V-ring slinger.

Lubrication – A specially formulated, high temperature, polyurea based grease.

Conduit box – Oversized, cast iron construction that is larger than industry standards, diagonally-split, neoprene gasketed and rotatable in 90° increments for quick and easy connections. A ground lug is provided. Non-wicking, clearly and permanently marked leads.

Corrosion resistance – Cast iron construction, zinc-plated hardware, epoxy enamel paint and stainless steel nameplate resist rust and corrosion.

Modifiable and custom – All Siemens motors are available with a wide variety of QuikMOD modifications and custom designs to meet your specific motor needs.



Definite purpose motors

RGKESDI / RGZESDI

1000:1 Constant torque
Adjustable speed drive only

460V 60Hz – Foot mounted

HP	RPM	Frame	Voltage	Type	Part Number	List Price \$	Mult. Symb.	FL Amps	Lbs	Stock
1	1800	145T	460	RGKESDI 1000:1	1PC29111AB512AG3	1295	SA-7INV	1.4	55	✓
1	1200	182T	460	RGKESDI 1000:1	1PC29111CC612AG3	1616	SA-7INV	1.8	85	
1.5	3600	182T	460	RGKESDI 1000:1	1PC29111CA612AG3	1722	SA-7INV	2.0	85	
1.5	1800	182T	460	RGKESDI 1000:1	1PC29111CB612AG3	1440	SA-7INV	2.2	85	✓
1.5	1200	184T	460	RGKESDI 1000:1	1PC29111CC712AG3	1729	SA-7INV	2.4	100	
2	3600	184T	460	RGKESDI 1000:1	1PC29111CA812AG3	1893	SA-7INV	2.5	100	
2	1800	182T	460	RGKESDI 1000:1	1PC29111CB512AG3	1584	SA-7INV	2.7	85	✓
2	1200	213T	460	RGKESDI 1000:1	1PC29112KC512AG3	1938	SA-7INV	3.2	130	
3	3600	213T	460	RGKESDI 1000:1	1PC29112KA112AG3	2241	SA-7INV	3.7	130	
3	1800	184T	460	RGKESDI 1000:1	1PC29111CB712AG3	1745	SA-7INV	4.2	100	✓
3	1200	215T	460	RGKESDI 1000:1	1PC29112AC012AG3	2437	SA-7INV	4.3	162	
5	3600	215T	460	RGKESDI 1000:1	1PC29112KA212AG3	2563	SA-7INV	5.8	162	
5	1800	213T	460	RGKESDI 1000:1	1PC29112KB512AG3	2051	SA-7INV	6.5	157	✓
5	1200	254T	460	RGKESDI 1000:1	1PC29112KC612AG3	2855	SA-7INV	7.1	250	
7.5	3600	254T	460	RGKESDI 1000:1	1PC29112KA312AG3	2873	SA-7INV	8.7	250	
7.5	1800	254T	460	RGKESDI 1000:1	1PC29112BB712AG3	2799	SA-7INV	9.5	245	✓
7.5	1200	256T	460	RGKESDI 1000:1	1PC29112BC012AG3	3397	SA-7INV	10.0	300	
10	3600	256T	460	RGKESDI 1000:1	1PC29112KA412AG3	3521	SA-7INV	12.5	300	
10	1800	256T	460	RGKESDI 1000:1	1PC29112BB812AG3	3386	SA-7INV	12.5	285	✓
10	1200	256T	460	RGZESDI 1000:1	1PC29212BC212AG3	5476	SA-7INV	13.0	330	
15	3600	254T	460	RGZESDI 1000:1	1PC29212BA112AG3	4775	SA-7INV	18.0	330	
15	1800	254T	460	RGZESDI 1000:1	1PC29212BB112AG3	3465	SA-7INV	20.0	330	
15	1200	284T	460	RGZESDI 1000:1	1PC29212CC112AG3	6892	SA-7INV	20.0	460	
20	3600	256T	460	RGZESDI 1000:1	1PC29212BA212AG3	5246	SA-7INV	23.0	375	
20	1800	256T	460	RGZESDI 1000:1	1PC29212BB212AG3	4113	SA-7INV	27.0	375	
20	1200	286T	460	RGZESDI 1000:1	1PC29212CC212AG3	6946	SA-7INV	26.0	530	
25	3600	284TS	460	RGZESDI 1000:1	1PC29212DA112AG3	6124	SA-7INV	29.0	4600	
25	1800	284T	460	RGZESDI 1000:1	1PC29212CB112AG3	5728	SA-7INV	29.0	460	
25	1200	324T	460	RGZESDI 1000:1	1PC29213AC112AG3	8781	SA-7INV	33.0	645	
30	3600	286TS	460	RGZESDI 1000:1	1PC29212DA212AG3	6767	SA-7INV	34.0	680	
30	1800	286T	460	RGZESDI 1000:1	1PC29212CB212AG3	6315	SA-7INV	35.0	680	
30	1200	326T	460	RGZESDI 1000:1	1PC29213AC212AG3	10364	SA-7INV	39.0	680	
40	3600	324TS	460	RGZESDI 1000:1	1PC29213BA112AG3	8571	SA-7INV	46.0	645	
40	1800	324T	460	RGZESDI 1000:1	1PC29213AB112AG3	7985	SA-7INV	47.0	645	
40	1200	364T	460	RGZESDI 1000:1	1PC29213CC112AG3	13339	SA-7INV	52.0	910	
50	3600	326TS	460	RGZESDI 1000:1	1PC29213BA212AG3	10149	SA-7INV	55.0	680	
50	1800	326T	460	RGZESDI 1000:1	1PC29213AB212AG3	9423	SA-7INV	58.0	680	
50	1200	365T	460	RGZESDI 1000:1	1PC29213CC212AG3	1599	SA-7INV	66.0	930	

QuikMOD Delivery for stocked motors only.
Stock availability subject to change.
Prices and Specifications are subject to change without notice.

Definite purpose motors

RGKESDI / RGZESDI

1000:1 Constant torque
Adjustable speed drive only

HP	RPM	Frame	Voltage	Type	Part Number	List Price \$	Mult. Symb.	FL Amps	Lbs	Stock
60	3600	364TS	460	RGZESDI 1000:1	1PC29213DA112AG3	13063	SA-7INV	68.0	910	
60	1800	364T	460	RGZESDI 1000:1	1PC29213CB112AG3	12128	SA-7INV	71.0	910	
60	1200	404T	460	RGZESDI 1000:1	1PC29214AC112AG3	17738	SA-7INV	72.0	1180	
75	3600	365TS	460	RGZESDI 1000:1	1PC29213DA212AG3	15706	SA-7INV	85.0	930	
75	1800	365T	460	RGZESDI 1000:1	1PC29213CB212AG3	14538	SA-7INV	87.0	930	
75	1200	405T	460	RGZESDI 1000:1	1PC29214AC212AG3	19549	SA-7INV	87.0	1330	
100	3600	405TS	460	RGZESDI 1000:1	1PC29214BA212AG3	19152	SA-7INV	110.0	1330	
100	1800	405T	460	RGZESDI 1000:1	1PC29214AB212AG3	17716	SA-7INV	113.0	1330	
100	1200	444TS	460	RGZESDI 1000:1	1PC29214DC112AG3	24573	SA-7INV	115.0	1700	
125	3600	444TS	460	RGZESDI 1000:1	1PC29214DA112AG3	24203	SA-7INV	136.0	1700	
125	1800	444TS	460	RGZESDI 1000:1	1PC29214DB112AG3	22342	SA-7INV	143.0	1700	
125	1200	445TS	460	RGZESDI 1000:1	1PC29214DC212AG3	27891	SA-7INV	144.0	1820	
150	3600	445TS	460	RGZESDI 1000:1	1PC29214DA212AG3	27511	SA-7INV	160.0	1820	
150	1800	445TS	460	RGZESDI 1000:1	1PC29214DB212AG3	25358	SA-7INV	169.0	1820	
150	1200	447TS	460	RGZESDI 1000:1	1PC29214DC312AG3	33023	SA-7INV	169.0	2080	
200	3600	447TS	460	RGZESDI 1000:1	1PC29214DA312AG3	33586	SA-7INV	208.0	2080	
200	1800	447TS	460	RGZESDI 1000:1	1PC29214DB312AG3	30024	SA-7INV	223.0	2080	
200	1200	449TS	460	RGZESDI 1000:1	1PC29214DC512AG3	46594	SA-7INV	222.0	2380	
250	3600	449TS	460	RGZESDI 1000:1	1PC29214DA512AG3	40915	SA-7INV	264.0	2380	
250	1800	449TS	460	RGZESDI 1000:1	1PC29214DB512AG3	37666	SA-7INV	282.0	2380	
250	1200	449TS	460	RGZESDI 1000:1	1PC29214DC612AG3	51017	SA-7INV	285.0	2380	
300	3600	449TS	460	RGZESDI 1000:1	1PC29214DA612AG3	58875	SA-7INV	330.0	2380	
300	1800	449TS	460	RGZESDI 1000:1	1PC29214DB612AG3	42363	SA-7INV	345.0	2380	
300	1200	S449SS	460	RGZESDI 1000:1	1PC29214GC112AG3	65204	SA-7INV	335.0	4130	
350	3600	S449SS	460	RGZESDI 1000:1	1PC29214GA112AG3	54724	SA-7INV	370.0	4130	
350	1800	S449SS	460	RGZESDI 1000:1	1PC29214GB212AG3	54258	SA-7INV	390.0	4130	
350	1200	S449SS	460	RGZESDI 1000:1	1PC29214GC312AG3	73149	SA-7INV	396.0	4130	
400	3600	S449SS	460	RGZESDI 1000:1	1PC29214GA312AG3	67277	SA-7INV	420.0	4130	
400	1800	S449SS	460	RGZESDI 1000:1	1PC29214GB312AG3	63061	SA-7INV	420.0	4130	

QuikMOD Delivery for stocked motors only.
Stock availability subject to change.
Prices and Specifications are subject to change without notice.

Definite purpose motors

RGZVESD – Vertical solid shaft

Normal thrust

RGZVESD P-base vertical solid shaft motors are ideal for applications such as centrifugal and turbine pumps.

Performance specifications

- 1 to 250 HP
- 1.15 service factor, 40°C ambient
- Continuous thrust:
 - Up: 355 to 1,860 lbs.
 - Down: 380 to 2,800 lbs.
- 3600, 1800, 1200, or 900 RPM
- 3 phase, 60 Hz;
 - 230/460V 25 – 250 HP
 - 460V 1 – 25HP
- Meets or exceeds efficiencies in NEMA MG1, table 12-11 (EPAAct)
- Class F insulation, Class B temperature rise @ 1.0 S.F.
- NEMA design B, continuous duty
- 143 HP through 449 HP frame

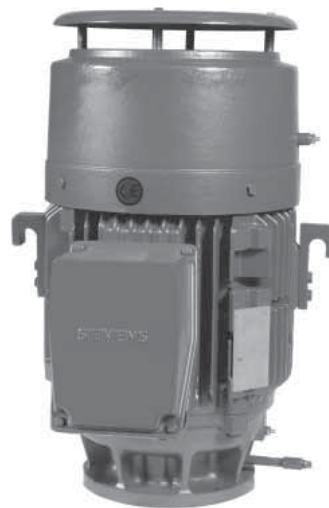
Features for long life

Frame and bearing housings – These motors feature a cast iron frame and end shields for exceptional structural integrity. A drive end T-drain, drip cover and lifting lugs are included.

Rotor – A offset rotor design provides improved efficiency while larger bars and end rings reduce resistance for lower rotor losses. Each die cast aluminum rotor assembly is dynamically balanced for extended bearing life, and includes a high strength carbon steel shaft for maximum rotor performance.

Stator/Windings – Manufactured with premium electrical grade steel laminations and copper electrical magnet wire to lower losses for improved efficiencies. A unique stator core design lowers flux density while increasing cooling capacity. Large conductor cross section reduces resistance and lowers stator losses.

Insulation – Proprietary inverter rated NEMA Class F non-hygroscopic insulation system with Class B temperature rise, provides an extra margin of thermal life. Varnish system application ensures maximum wire penetration to provide protection from moisture, corrosion and electrical surges. This insulation system meets or exceeds NEMA MG1-2006, Part 31, making all motors suitable for operation with adjustable frequency drives.



3
YEAR
WARRANTY

Cooling – A bi-directional, non-sparking fan is locked and keyed to the shaft. Its design reduces windage losses, improves airflow, reduces noise and provides dependable cooling. Cast iron fan covers are provided on all frame sizes.

Bearings – Regreasable ball bearings with cast iron caps. Alemite grease fittings on the inlets, and pipe plugs on the relief ports for ease of routine maintenance.

Lubrication – A specially formulated, high temperature, polyurea based grease.

Conduit box – Oversized, cast iron construction that is larger than industry standards, diagonally-split, neoprene-gasketed and rotatable in 90° increments for quick and easy connections. A ground lug is included. Non-wicking, clearly and permanently marked leads.

Corrosion resistance – Cast iron construction, zinc-plated hardware, epoxy enamel paint and stainless steel nameplate resist rust and corrosion.

Modifiable and custom – All Siemens vertical motors are available with a wide variety of QuikMOD modifications and custom designs to meet your specific motor needs.



General Purpose Motors

Severe Duty Motors

Hazardous Duty Motors

Definite Purpose Motors

QuikMOD Detail

Custom Options Detail

Typical Performance Data

General Dimensions

Part Number Index

Definite purpose motors

RGZVESD – Vertical solid shaft

Normal thrust

460V 60Hz – Foot mounted

HP	RPM	Frame	Voltage	Type	Part Number	List Price \$	Mult. Symb.	Cont. Thrust (LBS)		FL Amps	FL Nom Eff. (%)	Lbs	Stock
								Up	Dwn				
1	1800	143HP	230/460	RGZVESD	1PC28111BB216TA3	905	SA-7	380	355	1.5	82.5	70	
1	1200	145HP	230/460	RGZVESD	1PC28111BC316TA3	1227	SA-7	445	415	1.6	80.0	75	
1	900	182HP	230/460	RGZVESD	1PC28111DD116TA3	1878	SA-7	495	465	1.9	74.0	85	
1.5	3600	143HP	230/460	RGZVESD	1PC28111BA216TA3	1165	SA-7	295	275	1.9	85.5	70	
1.5	1800	145HP	230/460	RGZVESD	1PC28111BB316TA3	1047	SA-7	385	330	2.2	84.0	75	
1.5	1200	182HP	230/460	RGZVESD	1PC28111DC116TA3	1452	SA-7	550	510	2.3	85.5	85	
1.5	900	184HP	230/460	RGZVESD	1PC28111DD216TA3	2119	SA-7	615	570	2.6	77.0	100	
2	3600	145HP	230/460	RGZVESD	1PC28111BA316TA3	1226	SA-7	295	275	2.5	84.0	75	
2	1800	145HP	230/460	RGZVESD	1PC28111BB416TA3	1186	SA-7	385	350	2.7	84.0	75	
2	1200	184HP	230/460	RGZVESD	1PC28111DC216TA3	1671	SA-7	550	510	3.0	86.5	100	
2	900	213HP	230/460	RGZVESD	1PC28112AD316TA3	2426	SA-7	615	570	3.3	82.5	135	
3	3600	182HP	230/460	RGZVESD	1PC28111DA116TA3	1610	SA-7	365	340	3.6	85.5	85	✓
3	1800	182HP	230/460	RGZVESD	1PC28111DB116TA3	1421	SA-7	480	430	3.9	87.5	85	✓
3	1200	213HP	230/460	RGZVESD	1PC28112AC316TA3	2205	SA-7	785	725	4.0	87.5	135	
3	900	215HP	230/460	RGZVESD	1PC28112AD416TA3	3050	SA-7	875	810	4.7	84.0	160	
5	3600	184HP	230/460	RGZVESD	1PC28111DA216TA3	2257	SA-7	375	330	5.8	87.5	100	✓
5	1800	184HP	230/460	RGZVESD	1PC28111DB216TA3	1979	SA-7	485	425	6.5	87.5	100	✓
5	1200	215HP	230/460	RGZVESD	1PC28112AC416TA3	3105	SA-7	790	720	6.8	87.5	160	
5	900	254HP	230/460	RGZVESD	1PC28112BD316TA3	3736	SA-7	885	805	7.5	85.5	245	
7.5	3600	213HP	230/460	RGZVESD	1PC28112AA316TA3	2721	SA-7	525	475	8.8	88.5	135	✓
7.5	1800	213HP	230/460	RGZVESD	1PC28112AB316TA3	2712	SA-7	685	610	9.5	89.5	135	✓
7.5	1200	254HP	230/460	RGZVESD	1PC28112BC316TA3	3702	SA-7	1130	1025	9.8	89.5	245	
7.5	900	256HP	230/460	RGZVESD	1PC28112BD416TA3	4536	SA-7	1260	1150	11.5	85.5	285	
10	3600	215HP	230/460	RGZVESD	1PC28112AA416TA3	3048	SA-7	530	470	12.0	89.5	160	✓
10	1800	215HP	230/460	RGZVESD	1PC28112AB416TA3	3051	SA-7	690	605	12.5	89.5	160	✓
10	1200	256HP	230/460	RGZVESD	1PC28112BC416TA3	4182	SA-7	1140	1015	13.0	89.5	285	
10	900	284HP	230/460	RGZVESD	1PC28112CD316TA3	5513	SA-7	1275	1140	15.0	88.5	485	
15	3600	254HP	230/460	RGZVESD	1PC28112BA316TA3	3514	SA-7	760	670	17.0	90.2	245	✓
15	1800	254HP	230/460	RGZVESD	1PC28112BB316TA3	3645	SA-7	980	870	18.7	91.0	245	✓
15	1200	284HP	230/460	RGZVESD	1PC28112CC316TA3	4876	SA-7	1170	985	20.0	90.2	485	
15	900	286HP	230/460	RGZVESD	1PC28112CD416TA3	6705	SA-7	1310	1100	23.0	88.5	520	
20	3600	256HP	230/460	RGZVESD	1PC28112BA416TA3	3843	SA-7	765	665	23.0	90.2	285	✓
20	1800	256HP	230/460	RGZVESD	1PC28112BB416TA3	4155	SA-7	995	855	26.0	91.0	285	✓
20	1200	286HP	230/460	RGZVESD	1PC28112CC416TA3	5926	SA-7	1190	965	26.0	90.2	520	
20	900	324HP	230/460	RGZVESD	1PC28113AD316TA3	8187	SA-7	1330	1080	31.0	89.5	565	
25	3600	284HP	460	RGZVESD	1PC28112CA312TA3	4135	SA-7	785	645	29.0	91.0	485	✓
25	1800	284HP	460	RGZVESD	1PC28112CB312TA3	4632	SA-7	1020	830	29.0	92.4	485	✓
25	1200	324HP	460	RGZVESD	1PC28113AC312TA3	6934	SA-7	1795	1535	33.0	91.7	565	
25	900	326HP	460	RGZVESD	1PC28113AD412TA3	9386	SA-7	2000	1720	38.0	89.5	710	

QuikMOD Delivery for stocked motors only.
Stock availability subject to change.

Prices and Specifications are subject to change without notice.
DOE#CC032A

Definite purpose motors

RGZVESD – Vertical solid shaft

Normal thrust

460V 60Hz – Foot mounted

HP	RPM	Frame	Voltage	Type	Part Number	List Price \$	Mult. Symb.	Cont. Thrust (LBS)		FL Amps	FL Nom Eff. (%)	Lbs	Stock
								Up	Dwn				
30	3600	286HP	460	RGZVESD	1PC28112CA412TA3	4476	SA-7	795	635	34.0	91.0	520	✓
30	1800	286HP	460	RGZVESD	1PC28112CB412TA3	5211	SA-7	1035	815	35.0	92.4	520	✓
30	1200	326HP	460	RGZVESD	1PC28113AC412TA3	7917	SA-7	1820	1510	39.0	91.7	710	
30	900	364HP	460	RGZVESD	1PC28113CD312TA3	10888	SA-7	2320	1860	46.8	91.0	800	
40	3600	324HP	460	RGZVESD	1PC28113AA312TA3	6145	SA-7	1205	1005	45.0	91.7	565	✓
40	1800	324HP	460	RGZVESD	1PC28113AB312TA3	6207	SA-7	1570	1290	47.0	93.0	565	✓
40	1200	364HP	460	RGZVESD	1PC28113CC312TA3	10365	SA-7	2075	1675	52.0	93.0	800	
40	900	365HP	460	RGZVESD	1PC28113CD412TA3	13008	SA-7	2340	1840	63.0	91.0	875	
50	3600	326HP	460	RGZVESD	1PC28113AA412TA3	7709	SA-7	1215	995	55.0	92.4	710	✓
50	1800	326HP	460	RGZVESD	1PC28113AB412TA3	7360	SA-7	1585	1275	58.0	93.0	710	✓
50	1200	365HP	460	RGZVESD	1PC28113CC412TA3	12220	SA-7	2095	1660	66.0	93.0	875	
50	900	404HP	460	RGZVESD	1PC28114AD312TA3	15555	SA-7	2370	1810	67.0	91.7	1290	
60	3600	364HP	460	RGZVESD	1PC28113CA312TA3	9811	SA-7	1410	1080	68.0	93.0	800	✓
60	1800	364HP	460	RGZVESD	1PC28113CB312TA3	9758	SA-7	1795	1435	71.0	93.6	800	✓
60	1200	404HP	460	RGZVESD	1PC28114AC312TA3	13935	SA-7	2155	1595	74.0	93.6	1290	
60	900	405HP	460	RGZVESD	1PC28114AD412TA3	17639	SA-7	2410	1770	78.0	91.7	1420	
75	3600	365HP	460	RGZVESD	1PC28113CA412TA3	12128	SA-7	1420	1070	85.0	93.0	875	✓
75	1800	365HP	460	RGZVESD	1PC28113CB412TA3	12168	SA-7	1815	1415	87.0	94.1	875	✓
75	1200	405HP	460	RGZVESD	1PC28114AC412TA3	16339	SA-7	2195	1555	93.0	93.6	1420	
75	900	444HP	460	RGZVESD	1PC28114HD112TA3	23134	SA-7	2495	1685	94.0	93.0	1740	
100	3600	405HP	460	RGZVESD	1PC28114AA412TA3	16157	SA-7	1475	1015	108.0	93.6	1420	✓
100	1800	405HP	460	RGZVESD	1PC28114AB412TA3	15016	SA-7	1915	1315	113.0	94.5	1420	✓
100	1200	444HP	460	RGZVESD	1PC28114HC112TA3	21843	SA-7	2315	1435	117.0	94.1	1740	
100	900	445HP	460	RGZVESD	1PC28114HD212TA3	28345	SA-7	2565	1615	123.0	93.0	1930	
125	1800	444HP	460	RGZVESD	1PC28114HB112TA3	19658	SA-7	1975	1255	143.0	94.5	1740	
125	1200	445HP	460	RGZVESD	1PC28114HC212TA3	26405	SA-7	2385	1365	144.0	94.1	1930	
125	900	447HP	460	RGZVESD	1PC28114HD312TA3	32565	SA-7	2670	1510	152.0	93.6	2280	
150	1800	445HP	460	RGZVESD	1PC28114HB212TA3	22678	SA-7	2060	1170	170.0	95.0	1930	
150	1200	447HP	460	RGZVESD	1PC28114HC312TA3	32814	SA-7	2400	1350	170.0	95.0	2280	
150	900	447HP	460	RGZVESD	1PC28114HD412TA3	37030	SA-7	2730	1450	186.0	93.6	2280	
200	1800	447HP	460	RGZVESD	1PC28114HB312TA3	30998	SA-7	2115	1115	225.0	95.0	2280	
200	1200	449HP	460	RGZVESD	1PC28114HC512TA3	37386	SA-7	2450	1300	226.0	95.0	2600	
200	900	449HP	460	RGZVESD	1PC28114HD612TA3	41664	SA-7	2800	1380	241.0	94.1	2600	
250	1800	449HP	460	RGZVESD	1PC28114HB512TA3	36014	SA-7	2185	1045	281.0	95.0	2600	
250	1200	449HP	460	RGZVESD	1PC28114HC612TA3	41115	SA-7	2520	1230	280.0	95.0	2600	

QuikMOD Delivery for stocked motors only.
Stock availability subject to change.

Prices and Specifications are subject to change without notice.
DOE#CC032A

Definite purpose motors

RGZVILESD – Vertical solid shaft

In-Line thrust

RGZVILESD motors are ideal for dependable and energy efficient operation in applications such as centrifugal and turbine pumps.

Performance specifications

- 3 to 250 HP
- 1.15 service factor, 40°C ambient
- Continuous thrust:
 - Up: 785 to 3,735 lbs.
 - Down: 735 to 1,550 lbs.
 - Radial: 930 to 2,140 lbs.
- 3600, 1800, or 1200 RPM
- 3 phase, 60 Hz; 230/460 volt operation under 25 HP, 460 volt 25 HP and above; 200 & 575 volt available
- Class F insulation, Class B temperature rise
- NEMA design B, continuous duty
- 182LP through 449LP frame

Features for long life

Frame and bearing housings – Vertical inline solid shaft severe duty motors feature a cast iron frame and end shields for exceptional structural integrity. A drive end T-drain, drip cover and lifting lugs are included.

Rotor – A unique rotor design provides improved efficiency while larger bars and end rings reduce resistance for lower rotor losses. Each die cast aluminum rotor assembly is dynamically balanced for extended bearing life, and includes a high strength carbon steel shaft for maximum rotor performance.

Stator/Windings – Manufactured with premium electrical grade steel laminations and copper electrical magnet wire to lower losses for improved efficiencies. A unique stator core design lowers flux density while increasing cooling capacity. Large conductor cross section reduces resistance, also lowering stator losses.

Insulation – Proprietary inverter-rated Class F non-hygroscopic insulation system with NEMA Class B temperature rise, provides an extra margin of thermal life. Varnish system application ensures maximum wire penetration to provide protection from moisture, corrosion and electrical surges. This insulation system meets or exceeds NEMA MG1-2006, Part 31, making all motors suitable for operation with adjustable frequency drives.



Cooling – A bi-directional, non-sparking fan is locked and keyed to the shaft. Its design reduces windage losses, improves airflow, reduces noise and provides dependable cooling. Cast iron fan covers are provided on all frame sizes.

Bearings – Regreasable drive end is open ball bearing (182LP – 256LP frames), double shielded ball bearing (284LP – 449LP frames); opposite drive end is a duplex angular contact thrust bearing (143LP – 449LP frames) with cast iron caps. Alemite® grease fittings on the inlets, and pipe plugs on the relief ports for ease of routine maintenance.

Lubrication – A specially formulated, high temperature, polyurea based grease.

Conduit box – Oversized cast iron construction that is larger than industry standards, diagonally-split, neoprene gasket and rotatable in 90° increments for quick and easy connections. Includes a ground lug and non-wicking, clearly and permanently marked leads.

Corrosion resistance – Cast iron construction, zinc-plated hardware, epoxy enamel paint and stainless steel nameplate resist rust and corrosion.

Modifiable – All Siemens vertical motors are available with a wide variety of QuikMOD modifications and custom designs to meet your specific motor needs.



Definite purpose motors

RGZVILESD – Vertical solid shaft

In-Line thrust

460V 60Hz – Foot mounted

HP	RPM	Frame	Voltage	Type	Part Number	List Price \$	Mult. Symb.	Cont. Thrust LBS.			FL Amps	FL Nom Eff. (%)	Lbs	Stock
								Up	Dwn	Rdl.				
3	3600	182LP	230/460	RGZVILESD	1PC28311DA416TA3	2138	SA-7EN	785	735	930	3.6	85.5	133	✓
3	1800	182LP	230/460	RGZVILESD	1PC28311DB416TA3	2082	SA-7EN	980	910	1160	3.9	87.5	133	✓
3	1200	213LP	230/460	RGZVILESD	1PC28312AC516TA3	2488	SA-7EN	1115	1055	1320	4.0	87.5	215	
5	3600	184LP	230/460	RGZVILESD	1PC28311DA516TA3	2362	SA-7EN	785	735	930	5.8	87.5	144	✓
5	1800	184LP	230/460	RGZVILESD	1PC28311DB516TA3	2233	SA-7EN	980	910	1160	6.5	87.5	144	✓
5	1200	215LP	230/460	RGZVILESD	1PC28312AC616TA3	3237	SA-7EN	1120	1050	1320	6.8	87.5	160	
7.5	3600	213LP	230/460	RGZVILESD	1PC28312AA516TA3	2835	SA-7EN	785	735	930	8.8	88.5	215	✓
7.5	1800	213LP	230/460	RGZVILESD	1PC28312AB516TA3	2825	SA-7EN	980	910	1160	9.5	89.5	215	✓
7.5	1200	254LP	230/460	RGZVILESD	1PC28312BC516TA3	3856	SA-7EN	1350	1240	1600	9.8	89.5	245	
10	3600	215LP	230/460	RGZVILESD	1PC28312AA616TA3	3175	SA-7EN	790	730	930	12.0	89.5	160	✓
10	1800	215LP	230/460	RGZVILESD	1PC28312AB616TA3	3178	SA-7EN	985	905	1160	12.5	89.5	160	✓
10	1200	256LP	230/460	RGZVILESD	1PC28312BC616TA3	4354	SA-7EN	1360	1230	1600	13.0	89.5	330	
15	3600	254LP	230/460	RGZVILESD	1PC28312BA516TA3	3659	SA-7EN	945	855	1100	17.0	90.2	245	✓
15	1800	254LP	230/460	RGZVILESD	1PC28312BB516TA3	3799	SA-7EN	1185	1075	1400	18.7	91.0	245	✓
15	1200	284LPH	230/460	RGZVILESD	1PC28312EC116TA3	5243	SA-7EN	1975	1785	2120	20.0	90.2	375	
20	3600	256LP	230/460	RGZVILESD	1PC28312BA616TA3	4106	SA-7EN	950	850	1100	23.0	90.2	285	✓
20	1800	256LP	230/460	RGZVILESD	1PC28312BB616TA3	4327	SA-7EN	1200	1060	1400	26.0	91.0	285	✓
20	1200	286LPH	230/460	RGZVILESD	1PC28312EC416TA3	6174	SA-7EN	1990	1770	2120	26.0	90.2	520	
25	3600	284LPH	460	RGZVILESD	1PC28312EA112TA3	4903	SA-7EN	1460	1320	1475	29.0	91.0	375	✓
25	1800	284LPH	460	RGZVILESD	1PC28312EB112TA3	4825	SA-7EN	1725	1535	1850	29.0	92.4	375	✓
25	1200	324LP	460	RGZVILESD	1PC28313AC512TA3	7220	SA-7EN	2010	1750	1875	33.0	91.7	565	
30	3600	286LPH	460	RGZVILESD	1PC28312EA412TA3	5202	SA-7EN	1470	1310	1475	34.0	91.0	430	✓
30	1800	286LPH	460	RGZVILESD	1PC28312EB412TA3	5428	SA-7EN	1740	1520	1850	35.0	92.4	430	✓
30	1200	326LP	460	RGZVILESD	1PC28313AC612TA3	8071	SA-7EN	2035	1725	1875	39.0	91.7	600	
40	3600	324LP	460	RGZVILESD	1PC28313AA512TA3	6937	SA-7EN	1490	1290	1600	45.0	91.7	565	✓
40	1800	324LP	460	RGZVILESD	1PC28313AB512TA3	6727	SA-7EN	1770	1490	1650	47.0	93.0	565	✓
40	1200	364LP	460	RGZVILESD	1PC28313CC512TA3	10271	SA-7EN	2540	2140	2120	52.0	93.0	800	
50	3600	326LP	460	RGZVILESD	1PC28313AA612TA3	8500	SA-7EN	1505	1275	1600	55.0	92.4	600	✓
50	1800	326LP	460	RGZVILESD	1PC28313AB612TA3	7893	SA-7EN	1785	1475	1650	58.0	93.0	600	✓
50	1200	365LP	460	RGZVILESD	1PC28313CC612TA3	12085	SA-7EN	2560	2120	2120	66.0	93.0	875	
60	3600	364LP	460	RGZVILESD	1PC28313CA512TA3	10579	SA-7EN	1840	1510	1475	68.0	93.0	800	✓
60	1800	364LP	460	RGZVILESD	1PC28313CB512TA3	10527	SA-7EN	2330	2060	1850	71.0	93.6	800	✓
60	1200	404LP	460	RGZVILESD	1PC28314AC512TA3	13777	SA-7EN	2620	2060	2120	74.0	93.6	1290	
75	3600	365LP	460	RGZVILESD	1PC28313CA612TA3	12896	SA-7EN	1850	1500	1475	85.0	93.0	875	✓
75	1800	365LP	460	RGZVILESD	1PC28313CB612TA3	12937	SA-7EN	2345	1945	1850	87.0	94.1	875	✓
75	1200	405LP	460	RGZVILESD	1PC28314AC612TA3	16205	SA-7EN	2660	2020	2120	93.0	93.6	1300	
100	3600	405LP	460	RGZVILESD	1PC28314AA612TA3	17399	SA-7EN	1905	1445	1475	108.0	93.6	1300	✓
100	1800	405LP	460	RGZVILESD	1PC28314AB612TA3	15720	SA-7EN	2445	1845	1850	113.0	94.5	1300	✓
100	1200	444LP	460	RGZVILESD	1PC28314JC112TA3	21501	SA-7EN	2780	1900	2120	117.0	94.1	1740	
125	1800	444LP	460	RGZVILESD	1PC28314JB112TA3	19973	SA-7EN	2530	1760	1850	143.0	94.5	1740	
125	1200	445LP	460	RGZVILESD	1PC28314JC212TA3	27763	SA-7EN	2850	1830	2120	144.0	94.1	1930	
150	1800	445LP	460	RGZVILESD	1PC28314JB212TA3	23321	SA-7EN	2590	1700	1850	170.0	95.0	1930	
150	1200	447LP	460	RGZVILESD	1PC28314JC312TA3	32289	SA-7EN	2945	1735	2120	170.0	95.0	2280	
200	1800	447LP	460	RGZVILESD	1PC28314JB312TA3	30506	SA-7EN	2650	1645	1850	225.0	95.0	2280	
200	1200	449LP	460	RGZVILESD	1PC28314JC512TA3	32345	SA-7EN	3040	1640	2120	226.0	95.0	2600	
250	1800	449LP	460	RGZVILESD	1PC28314JB512TA3	33421	SA-7EN	2710	1590	1850	281.0	95.0	2600	
250	1200	449LP	460	RGZVILESD	1PC28314JC612TA3	34992	SA-7EN	3735	1550	2120	280.0	95.0	2600	

QuikMOD Delivery for stocked motors only.
 Stock availability subject to change.
 Prices and Specifications are subject to change without notice.

Definite purpose motors

SD10MS/RGZESDI/RGZV(IL)ESD

QuikMOD options Selection and pricing

			List Price \$												
Voltage		* 12 & 13	SD10 MS	RGZESDI	RGZVILESD	140	180	210	250	280	320	360	400	440	S440
Single Voltage	230V	11	–	–	HP 1-20	123	123	138	159	161	–	–	–	–	–
	460V	12	Std.	Std.	HP 1-20 Std. HP>20	123	123	138	159	161	–	–	–	–	–
	575V	13	140-440	–	140-440	nc	nc	nc	nc	nc	nc	nc	nc	nc	nc
	230/460V	16	–	–	Std. HP 1-20	119	119	133	154	Std	–	–	–	–	–
Special Voltage	200-600V	90	140-440	140-S440	140-440	120	120	120	166	200	482	546	714	1187	1486
Flanges and Bearing Housing		* 14	SD10 MS	RGZESDI	RGZVILESD	140	180	210	250	280	320	360	400	440	S440
Foot Mounted	C - Face 1)	E	140-250	140-250	–	206	249	283	625	–	–	–	–	–	–
	D - Flange	F	140-250	140-250	–	284	361	396	774	–	–	–	–	–	–
	C - Face w/drip cover	N	140-250	140-250	–	360	403	438	794	–	–	–	–	–	–
	D - Flange w/drip cover	P	140-250	140-250	–	442	519	555	948	–	–	–	–	–	–
Protection		* 15	SD10 MS	RGZESDI	RGZVILESD	140	180	210	250	280	320	360	400	440	S440
Without thermal protection		A	Std	Std	Std	nc	nc	nc	nc	nc	nc	nc	nc	nc	nc
Mounting		* 16	SD10 MS	RGZESDI	RGZVILESD	140	180	210	250	280	320	360	400	440	S440
Ceiling Mount - T. Box LHS	C-2	1	140-S440	140-440	–	133	133	133	133	134	134	134	134	134	137
Horizontal - T. box RHS	F-2	2	140-180	–	–	283	283	–	–	–	–	–	–	–	–
Horizontal - T. Box LHS	F-1	3	Std	Std	Std	–	–	–	–	–	–	–	–	–	–
Vertical Shaft Down, T. Box RHS	W-6	4	440	–	–	–	–	–	–	–	–	–	–	–	212
Vertical Shaft Down, T. Box LHS	W-7	5	440	–	–	–	–	–	–	–	–	–	–	–	303
Vertical, Shaft up, T. Box LHS	W-5	6	140-180	–	–	283	283	–	–	–	–	–	–	–	–
Vertical, Shaft up, T. Box RHS	W-8	7	140-440	140-440	–	130	130	130	130	131	131	131	131	130	127
Ceiling Mount - T. Box RHS	C-1	8	140-440	140-440	–	283	283	–	–	–	–	–	–	–	–
Wall Mount (Additional code R1A required)	W-1	9-R1A	140-180	–	–	283	283	–	–	–	–	–	–	–	–
Wall Mount (Additional code R2A required)	W-2	9-R2A	140-440	140-440	–	129	129	129	129	130	130	130	130	130	132
Wall Mount (Additional code R3A required)	W-3	9-R3A	140-440	140-440	–	288	288	288	288	289	289	289	289	289	294
Wall Mount (Additional code R4A required)	W-4	9-R4A	140-180	–	–	127	127	–	–	–	–	–	–	–	–

* Position to be replaced in the part number by the chosen number or letter.
1) C-Face with feet for 440 frames, only available with ball bearings

Prices and Specifications are subject to change without notice.
QuikMOD Delivery for stocked motors only.

Definite purpose motors

SD10MS/RGZESDI/RGZV(IL)ESD

QuikMOD options Selection and pricing

					List Price \$										
Bearings and Lubrication		Code	SD10 MS	RGZESDI	RGZVILESD	140	180	210	250	280	320	360	400	440	S440
Grease Fitting	Pressure relief	L60	140-440	140-S440	140-440	186	186	186	186	186	186	176	186	186	189
Ball Bearings	Sealed (except 2 pole, 360+ frames)	L68	140-440	140-S440	-	229	229	229	458	458	458	572	916	916	1207
Shafts and Seals		Code	SD10 MS	RGZESDI	RGZVILESD	140	180	210	250	280	320	360	400	440	S440
Slinger & O Ring	4, 6, 8 Pole only	L76	140-440	140-440	-	88	88	88	121	121	164	164	207	207	213
Terminal Box		Code	SD10 MS	RGZESDI	RGZVILESD	140	180	210	250	280	320	360	400	440	S440
Maint Terminal Box	Cast Iron in lieu of Aluminum	L01	Std	-	-	148	154	161	167	180	199	218	251	-	-
	Orientation 90° CCW	J84	140-440	140-S440	140-440	134	134	134	134	134	134	134	134	134	137
	Orientation 180° CCW	J85	140-440	140-S440	140-440	134	134	134	134	134	134	134	134	134	137
	Orientation 270° CCW	J86	140-440	140-S440	140-440	134	134	134	134	134	134	134	134	134	137
Condulet	To main Terminal Box	JX2	140-440	140-S440	140-4401	251	251	251	251	251	251	251	251	281	250
Terminal Block	Burndy Hydent YA Type	K80	140-440	140-S440	140-440	170	170	170	170	171	171	171	171	171	175
Leads	Sealed Leads ¹⁾	K80	140-440	140-S440	140-440	cf	cf	cf	cf	cf	cf	cf	cf	cf	cf
Frame		Code	SD10 MS	RGZESDI	RGZVILESD	140	180	210	250	280	320	360	400	440	S440
Rotational Arrow	Bidirectional (not for uni-directional)	K70	140-440	140-S440	140-440	141	141	141	141	142	142	142	142	142	144
	Clockwise	K71	140-440	140-S440	140-440	141	141	141	141	142	142	142	142	142	144
	Counter- clockwise	K72	140-440	140-S440	140-440	141	141	141	141	142	142	142	142	142	144
Hardware	Stainless Steel (includes T Drain SS)	L22	140-440	140-S440	140-440	203	203	203	203	203	250	308	380	468	641
Lifting Eyebolt		L20	140	140	Std	43	Std	Std	Std	Std	Std	Std	Std	Std	Std
Grounding (Frame)	Provision (tapped hole w/bolt)	L27	140-440	140-S440	140-440	142	142	142	164	164	186	186	186	261	266
Drain Plugs	T Drain SS	L45	140-440	140-S440	-	161	161	161	234	234	234	307	307	307	319
	Course Hinds UL Approved	L46	280-440	280-S440	-	-	-	-	-	353	353	353	353	353	364
Fan	Bronze	M10	140-440	140-S440	140-440	546	546	706	752	941	1137	1190	1325	1830	1593
Nameplates	Add'l name- plate (replica of original)	M21	140-440	140-S440	140-440	163	163	163	163	164	164	164	164	164	167
	Division 2 nameplate	M22	140-440	140-S440	140-440	322	322	322	322	322	322	322	322	322	311
	Aux. Nameplate Max. 40 Characters	Y82	140-440	140-S440	140-440	161	161	161	161	164	164	164	164	164	167
Vertical Jacking	Provisions	M39	280-440	280-S440	Std/	-	-	-	-	867	867	867	867	867	910

1) Only for single voltage.

K71, K72: Viewed from the ODE.

Prices and Specifications are subject to change without notice.

QuikMOD Delivery for stocked motors only.

Definite purpose motors

SD10MS/RGZESDI/RGZV(IL)ESD

QuikMOD options Selection and pricing

			List Price \$												
Winding		Code	SD10 MS	RGZESDI	RGZVILESD	140	180	210	250	280	320	360	400	440	S440
Insulation	Fungus Protection	C07	140-440	140-S440	140-440	212	212	212	310	310	310	537	537	537	546
Space Heaters	115V Single Phase	A40	140-S440	–	140-440	352	352	352	352	528	528	528	612	612	599
	230V Single Phase	A41	140-S440	–	140-440	352	352	352	352	528	528	528	612	612	599
	115V Single Phase, Division 2	A42	140-S440	–	140-440	455	455	455	455	679	679	816	997	1187	1259
	230V Single Phase, Division 2	A44	140-S440	–	140-440	455	455	455	455	679	679	816	997	1187	1259
Paint and Others		Code	SD10 MS	RGZESDI	RGZVILESD	140	180	210	250	280	320	360	400	440	S440
Packaging	Sea freight - Siemens Standard	B09	140-440	140-S440	140-440	333	333	333	333	761	1133	1133	1506	1506	1533
Software		Code	SD10 MS	RGZESDI	RGZVILESD	140	180	210	250	280	320	360	400	440	S440
Software	Documentation in Spanish	D05	140-440	140-S440	140-440	nc	nc	nc	nc	nc	nc	nc	nc	nc	nc
	Certificate of Compliance	F00	140-440	140-S440	140-440	296	296	296	296	299	299	299	299	299	303
	Standard Data Transmittal	F40	140-440	140-S440	140-440	44	44	44	44	45	45	45	45	45	46
	Standard Dimension Sheet	F42	140-440	140-S440	140-440	44	44	44	44	45	45	45	45	45	46
	Conduit Box Dimension Sheet	F44	140-440	140-S440	140-440	44	44	44	44	45	45	45	45	45	46
	Wiring Diagram	F45	140-440	140-S440	140-440	44	44	44	44	45	45	45	45	45	46
	IOM	F46	140-440	140-S440	140-440	44	44	44	44	45	45	45	45	45	46
	Renewal Parts	F47	140-440	140-S440	140-440	44	44	44	44	45	45	45	45	45	46
	Performance Data Sheets	F49	140-440	140-S440	140-440	259	259	259	259	261	261	261	261	261	266
	Typical Data	F03	140-440	140-S440	140-440	740	740	740	740	747	747	747	747	747	759
Tests		Code	SD10 MS	RGZESDI	RGZVILESD	140	180	210	250	280	320	360	400	440	S440
Tests	Routine Test Report	F10	140-440	140-S440	140-440	296	296	296	296	299	299	299	299	299	303
	Noise	F30	140-440	140-440	140-440	4144	4144	4144	4144	4183	4183	5378	5378	5378	5463
	Noise (Witnessed)	F32	140-440	140-440	140-440	6512	6512	6512	6573	7768	7768	7768	7768	7768	7891

Prices and Specifications are subject to change without notice.
QuikMOD Delivery for stocked motors only.

Definite purpose motors

SD10MS/RGZESDI/RGZV(IL)ESD

Custom options Selection and pricing

			List Price \$												
Voltage		* 12 & 13	SD10 MS	RGZESDI	RGZVILESD	140	180	210	250	280	320	360	400	440	S440
Single Voltage	230V	11	–	–	HP 1-20	123	123	138	159	161	–	–	–	–	–
	460V	12	Std.	Std.	HP 1-20 Std. HP>20	123	123	138	159	161	–	–	–	–	–
	575V	13	140-440	–	140-440	nc	nc	nc	nc	nc	nc	nc	nc	nc	nc
	230/460V	16	–	–	Std. HP 1-20	119	119	133	154	Std	–	–	–	–	–
Special Voltage	200-600V	90	140-440	140-S440	140-440	120	120	120	166	200	482	546	714	1187	1486
Flanges and Bearing Housing		* 14	SD10 MS	RGZESDI	RGZVILESD	140	180	210	250	280	320	360	400	440	S440
Foot Mounted	C - Face 1)	E	140-440	140-440	–	206	249	283	625	870	941	1016	1261	1493	cf
	D - Flange	F	140-440	140-440	–	284	361	396	774	cf	cf	cf	cf	cf	–
	C - Face w/drip cover	N	140-440	140-440	–	360	403	438	794	1035	1236	1615	2099	3043	cf
	D - Flange w/drip cover	P	140-250	140-250	–	442	519	555	948	–	–	–	–	–	–
Round Body	C-Face	G	140-250	140-250	–	226	282	316	676	–	–	–	–	–	–
	D-Flange	H	140-250	140-250	–	302	396	428	809	–	–	–	–	–	–
	C-Face w/drip cover	L	140-250	140-250	–	378	434	469	840	–	–	–	–	–	–
	D-Flange w/drip cover	M	140-250	140-250	–	527	637	661	1049	–	–	–	–	–	–
	P-Flange with cover	T	–	–	Std. 140-440	–	–	–	–	–	–	–	–	–	–
Protection		* 15	SD10 MS	RGZESDI	RGZVILESD	140	180	210	250	280	320	360	400	440	S440
Without thermal protection		A	Std	Std	Std	nc	nc	nc	nc	nc	nc	nc	nc	nc	nc
PTC Thermistors	3 embedded, 1 per phase	B	140-440	140-S440	140-440	634	634	634	634	634	634	634	634	634	645
PTC Thermistors	6 embedded, 2 per phase	C	140-440	140-S440	140-440	1268	1268	1268	1268	1268	1268	1268	1268	1268	1290
KTY84-130	2 embedded	F	140-440	140-S440	140-440	981	981	981	981	981	981	981	981	981	998
Thermostats Klix Type	Normally Closed 1 x Phase	G	140-440	140-S440	140-440	229	229	229	229	229	306	306	459	566	561
Thermocouples	Coil head	J	140-440	140-S440	140-440	–	–	–	–	–	–	1814	1814	1814	1887
Stator RTDs 100 Ω 1 x Phase	Includes Aux. Box opposite to main box	K	140-440	140-S440	140-440	–	–	–	–	–	–	3053	3053	3053	3175
Mounting		* 16	SD10 MS	RGZESDI	RGZVILESD	140	180	210	250	280	320	360	400	440	S440
Ceiling Mount - T. Box LHS	C-2	1	140-440	140-440	–	133	133	133	133	134	134	134	134	134	137
Horizontal - T. box RHS	F-2	2	140-440	–	–	283	283	283	283	284	284	284	284	284	–
Horizontal - T. Box LHS	F-1	3	Std	Std	Std	–	–	–	–	–	–	–	–	–	–
Vertical Shaft Down, T. Box RHS	W-6	4	440	–	–	–	–	–	–	–	–	–	–	–	212
Vertical Shaft Down, T. Box LHS	W-7	5	440	–	–	–	272	272	272	272	272	272	272	284	303
Vertical, Shaft up, T. Box LHS	W-5	6	140-440	–	–	283	283	283	283	284	284	284	284	284	–
Vertical, Shaft up, T. Box RHS	W-8	7	140-440	140-440	–	130	130	130	130	131	131	131	131	130	127
Ceiling Mount - T. Box RHS	C-1	8	140-440	140-440	–	283	283	283	283	284	284	284	284	284	–
Wall Mount (Addt'l code R1A required)	W-1	9-R1A	140-440	–	–	283	283	283	283	284	284	284	284	284	–
Wall Mount (Addt'l code R1A required)	W-2	9-R2A	140-440	140-440	–	129	129	129	129	130	130	130	130	130	132
Wall Mount (Addt'l code R1A required)	W-3	9-R3A	140-440	140-440	–	288	288	288	288	289	289	289	289	289	294

* Position to be replaced in the part number by the chosen number or letter.

1) C-Face with feet for 440 frames, only available with ball bearings

Prices and Specifications are subject to change without notice.

Definite purpose motors

SD10MS/RGZESDI/RGZV(IL)ESD

Custom options Selection and pricing

		List Price \$													
Bearings and Lubrication		Code	SD10 MS	RGZESDI	RGZVILESD	140	180	210	250	280	320	360	400	440	5440
Special Grease	Mobil 28	L57	140-S440	140-S440	140-S440	485	895	895	895	895	1230	1230	1640	1640	1669
	Mobilith SHC 100	L58	140-440	140-S440	140-S440	336	336	336	336	336	634	634	634	634	645
Grease Fitting	Pressure relief	L60	140-440	140-S440	140-440	186	186	186	186	186	186	186	186	186	189
Roller Bearings	In lieu of ball bearings	L65	280-400	280-400	-	-	-	-	-	1215	1215	1215	1215	Std	Std
Insulated Bearing	Both Ends	L66	280-400	280-S440	-	-	-	-	-	2496	2961	3523	7645	11761	1184
	Only on opposite Drive End	L67	280-440	280-S440	-	-	-	-	-	1252	1484	1761	3823	5884	8343
Ball Bearings	Sealed (except 2 pole, 360+ frames)	L68	140-440	140-S440	-	229	229	229	458	458	458	572	916	916	1207
Bearing thermal Protection	100 RTDs both ends Connection head and Terminal Block	A51	400-440	400-S440	400-440	-	-	-	-	-	-	-	3347	3347	3338
Shafts and Seals		Code	SD10 MS	RGZESDI	RGZVILESD	140	180	210	250	280	320	360	400	440	5440
CarbSteel	C4140	M57	400-440	400-S440	400-440	-	-	-	-	-	-	-	4467	5004	5106
Special shaft to Customer Spec	Drive End	Y50	140-440	140-S440	140-440	cf	cf	cf	cf	cf	cf	cf	cf	cf	cf
Special Shaft	Opposite Drive End	Y51	140-440	140-S440	-	cf	cf	cf	cf	cf	cf	cf	cf	cf	cf
NEMA Std. Short Shaft	Opposite Drive End	M53	140-440	140-S440	-	132	132	132	176	272	392	443	490	542	558
NEMA Std. Long Shaft	Opposite Drive End	M52	140-440	140-S440	-	133	133	133	179	272	392	443	490	555	558
Shaft Grounding Brush		L29	-	280-440	-	-	-	-	-	3092	3092	3092	3092	3092	-
Slinger & O Ring	4, 6, 8 Pole only	L76	140-440	-	140-440	88	88	88	121	121	164	164	207	207	-
Coupling	Customer supplied	H10	140-440	140-S440	140-440	485	485	485	485	485	485	716	716	716	728
Terminal Box		Code	SD10 MS	RGZESDI	RGZVILESD	140	180	210	250	280	320	360	400	440	5440
Maint Terminal Box	Cast Iron in lieu of Aluminum	L01	Std	-	-	148	154	161	167	180	199	218	251	-	-
	Orientation 90° CCW	J84	140-440	140-S440	140-440	134	134	134	134	134	134	134	134	134	137
	Orientation 180° CCW	J85	140-440	140-S440	140-440	134	134	134	134	134	134	134	134	134	137
	Orientation 270° CCW	J86	140-440	140-S440	140-440	134	134	134	134	134	134	134	134	134	137
Condulet	Same side Main Terminal Box	JX0	280-440	-	-	-	-	-	-	235	235	235	235	235	241
	To main Terminal Box	JX2	140-440	140-S440	140-4401	251	251	251	251	251	251	251	251	281	250
	Opposite to Main Terminal box	JX4	180-440	-	-	244	235	235	235	235	235	235	235	235	243
Auxiliary Box	To main Terminal Box	JX3	280-440	-	-	-	-	-	415	415	415	415	415	415	243
	Opposite to Main Terminal Box	JX5	280-440	280-S440	280-440	-	-	-	-	443	443	443	443	443	249
Terminal Block	Burndy Hydent YA Type	K80	140-440	140-S440	140-440	170	170	170	170	171	171	171	171	171	175
	Terminal Block - 3 lead only	K83	140-360	140-360	140-360	228	228	228	342	342	518	518	-	-	-
Leads	Sealed Leads ¹⁾	K89	140-440	140-S440	140-440	cf	cf	cf	cf	cf	cf	cf	cf	cf	cf
	Special Cable Length	Y85	140-440	140-S440	140-440	228	228	228	228	228	228	304	304	304	303

1) Only for single voltage.
Prices and Specifications are subject to change without notice.

- Introduction
- General Purpose Motors
- Severe Duty Motors
- Hazardous Duty Motors
- Definite Purpose Motors
- QuickMOD Detail
- Custom Options Detail
- Typical Performance Data
- General Dimensions
- Part Number Index

Definite purpose motors

SD10MS/RGZESDI/RGZV(IL)ESD

Custom options Selection and pricing

		List Price \$													
Frame		Code	SD10 MS	RGZESDI	RGZVILESD	140	180	210	250	280	320	360	400	440	5440
Rotational Arrow	Bidirectional (not for uni-directional)	K70	140-440	140-S440	140-440	141	141	141	141	142	142	142	142	142	144
	Clockwise	K71	140-440	140-S440	140-440	141	141	141	141	142	142	142	142	142	144
	Counterclockwise	K72	140-440	140-S440	140-440	141	141	141	141	142	142	142	142	142	144
Hardware	Stainless Steel (includes T Drain SS)	L22	140-440	140-S440	140-440	203	203	203	203	203	250	308	380	468	641
Lifting Eyebolt		L20	140-440	140-440	Std	43	Std	Std	Std	Std	Std	Std	Std	Std	Std
Grounding (Frame)	Provision (tapped hole w/bolt)	L27	140-440	140-S440	140-440	142	142	142	164	164	186	186	186	261	266
Drain Plugs	T Drain SS	L45	140-440	140-S440	-	161	161	161	234	234	234	307	307	307	319
	Course Hinds UL Approved	L46	280-440	280-S440	-	-	-	-	-	353	353	353	353	353	364
Fan	Bronze	M10	140-440	140-S440	140-440	546	546	706	752	941	1137	1190	1325	1830	1593
Nameplates	Add'l nameplate (replica of original)	M21	140-440	140-S440	140-440	163	163	163	163	164	164	164	164	164	167
	Division 2 nameplate	M22	140-440	140-S440	140-440	322	322	322	322	322	322	322	322	322	311
	Derate Service Factor altitude &/or Amb. Temperature	Y80	140-440	140-S440	140-440	161	161	161	161	161	164	164	164	164	167
	Aux. Nameplate Max. 40 Characters	Y82	140-440	140-S440	140-440	161	161	161	161	164	164	164	164	164	167
Vertical Jacking	Provisions	M39	280-440	280-S440	Std	-	-	-	-	867	867	867	867	867	910
Winding		Code	SD10 MS	RGZESDI	RGZVILESD	140	180	210	250	280	320	360	400	440	5440
Insulation	Class H ¹⁾	C00	140-440	140-S440	140-440	122	122	122	157	261	343	438	634	904	2387
	Vacuum Pressure Impregnation (VPI)	C01	140-440	140-S440	140-440	1670	1670	1670	1670	2147	2147	2714	3430	3728	5463
	Moisture/Powerhouse (extra dip & bake)	C04	140-440	140-S440	140-440	160	160	160	208	345	447	567	798	1877	1873
	Fungus Protection	C07	140-440	140-S440	140-440	212	212	212	310	310	310	537	537	537	546
	Tropicalization Moisture (extra dip & bake, fungus spray)	C08	140-440	140-S440	-	214	214	214	277	459	593	746	1036	1406	2319
Space Heaters	115V Single Phase	A40	140-440	-	140-440	352	352	352	352	528	528	528	612	612	599
	230V Single Phase	A41	140-440	-	140-440	352	352	352	352	528	528	528	612	612	599
	115V Single Phase, Division 2	A42	140-440	-	140-440	455	455	455	455	679	679	816	997	1181	1259
	230V Single Phase, Division 2	A44	140-440	-	140-440	455	455	455	455	679	679	816	997	1181	1259
Paint and Others		Code	SD10 MS	RGZESDI	RGZVILESD	140	180	210	250	280	320	360	400	440	5440
Special Paint	2 Part Epoxy	N01	140-440	140-S440	-	2744	2744	2744	2744	2744	2744	2744	2744	2744	2845
	3 Part Epoxy	N02	140-440	140-S440	-	2761	2761	2761	2761	2761	2761	2761	2761	2761	2845
Standard Prime	Only	N03	140-440	140-S440	-	558	558	558	558	563	563	563	563	563	584
Special Paint	2 Part Epoxy (Ameron System)	N04	140-440	140-S440	-	5655	5655	5655	5655	5655	5655	5655	5655	5655	5690
Standard Paint	Special Color	Y60	140-440	140-S440	-	554	554	554	554	557	557	557	557	557	584
Balance	Precision	M69	140-440	140-S440	140-440	190	190	190	218	218	248	248	318	313	610
	Extra Precision	M70	140-440	140-S440	-	312	312	330	330	376	376	506	506	651	683
Vibration Detectors	Robert Shaw malfunction detector Model 366-D8 120VAC	A66	-	140-S440	140-440	-	-	-	-	4216	4216	4216	5170	5170	4932
	Provision for sensors (PMC/Beta)	A67	-	140-S440	140-440	-	-	-	-	3778	3778	3778	4574	4574	4363
Packaging	Sea Freight - Siemens Standard	B09	140-440	140-S440	140-440	333	333	333	333	761	1135	1135	1506	1506	1533
	Special	B10	140-440	140-S440	140-440	cf	cf	cf	cf	cf	cf	cf	cf	cf	cf

1) Lead cable and thermal protectors leads are insulation class F.
K71, K72: Viewed from the ODE.
Prices and Specifications are subject to change without notice.

Definite purpose motors

SD10MS/RGZESDI/RGZV(IL)ESD

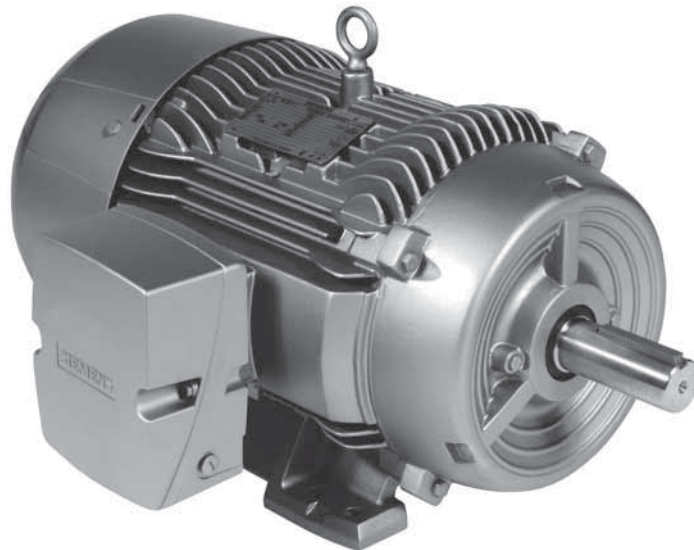
Custom options Selection and pricing

		List Price \$													
Software	Code	SD10 MS	RGZESDI	RGZVILESD	140	180	210	250	280	320	360	400	440	S440	
Software	Documentation in Spanish	D05	140-440	140-S440	140-440	nc	nc	nc	nc	nc	nc	nc	nc	nc	nc
	Certificate of Compliance	F00	140-440	140-S440	140-440	296	296	296	296	299	299	299	299	299	303
	Standard Data Transmittal	F40	140-440	140-S440	140-440	44	44	44	44	45	45	45	45	45	46
	Standard Dimension Sheet	F42	140-440	140-S440	140-440	44	44	44	44	45	45	45	45	45	46
	Conduit Box Dimension Sheet	F44	140-440	140-S440	140-440	44	44	44	44	45	45	45	45	45	46
	Wiring Diagram	F45	140-440	140-S440	140-440	44	44	44	44	45	45	45	45	45	46
	IOM	F46	140-440	140-S440	140-440	44	44	44	44	45	45	45	45	45	46
	Renewal Parts	F47	140-440	140-S440	140-440	44	44	44	44	45	45	45	45	45	46
	Performance Data Sheets	F49	140-440	140-S440	140-440	259	259	259	259	261	261	261	261	261	266
	Typical Data	F03	140-440	140-S440	140-440	740	740	740	740	747	747	747	747	747	759
	Nonstandard Dimension Sheet	F43	140-440	140-S440	140-440	518	518	518	518	523	523	523	523	523	531
	Customer Specific Data Sheets	F50	140-440	140-S440	140-440	518	518	518	518	523	523	523	523	523	531
Special Calculated Data	F07	140-440	140-S440	140-440	1184	1184	1184	1184	1195	1195	1195	1195	1195	1214	
Tests	Code	SD10 MS	RGZESDI	RGZVILESD	140	180	210	250	280	320	360	400	440	S440	
Tests	Routine Test Report	F10	140-440	140-S440	140-440	296	296	296	296	299	299	299	299	303	
	Routine Test Report (Witnessed)	F12	140-440	140-S440	140-440	1628	1628	1628	1628	1643	1972	2360	2569	2778	3672
	Complete Test	F15	140-440	140-S440	140-440	6749	6749	6749	6749	6812	7917	9680	11054	12010	1359
	Complete Test (Witnessed)	F17	140-440	140-S440	140-440	10123	10123	10123	10123	10217	11890	14519	16581	18015	20394
	Calibration Test	F27	140-440	140-S440	140-440	5062	5062	5062	5062	5109	5938	7260	8290	9007	1019
	Electrical Duplicate Routine Test	F36	140-440	140-S440	140-440	296	296	296	296	299	299	299	299	299	303
	Electrical Duplicate (Complete Test)	F37	140-440	140-S440	140-440	444	444	444	444	448	448	448	448	448	455
	Routine Test + Vibration	F20	140-440	140-S440	140-440	592	592	592	592	597	597	597	597	597	607
Routine Test + Vibration (Witnessed)	F22	140-440	140-S440	140-440	3256	3256	3256	3256	3286	3286	3286	3286	3286	3338	
Encoders	Code	SD10 MS	RGZESDI	RGZVILESD	140	180	210	250	280	320	360	400	440	S440	
Encoder, Single Output	Avtron M3 1024 PPR	G00	-	140-360	-	cf	cf	cf	cf	cf	cf	cf	-	-	-
	Avtron M54 1024 PPR	G01	-	400-S440	-	-	-	-	-	-	-	-	cf	cf	cf
	Avtron M56 1024 PPR	G02	-	140-180	-	cf	cf	-	-	-	-	-	-	-	-
	Avtron M85 1024 PPR	G03	-	210-S440	-	-	-	cf	cf	cf	cf	cf	cf	cf	cf
	BEI HS35 1024 PPR	G04	-	140-S440	-	cf	cf	cf	cf	cf	cf	cf	cf	cf	cf
	Dynapar HS35R 1024 PPR	G05	-	140-S440	-	1750	1750	1750	1750	1750	1750	1750	1750	1750	1750
	Northstar 8500 1024 PPR	G06	-	210-360	-	-	-	7054	7054	7054	7054	7054	-	-	-
	Northstar 8500 1024 PPR	G07	-	400-S440	-	-	-	-	-	-	-	-	cf	cf	cf
	Northstar SL56 1024 PPR	G08	-	140-180	-	cf	cf	-	-	-	-	-	-	-	-
	Avtron HS3 5A	G09	-	140-360	-	cf	cf	cf	cf	cf	cf	cf	-	-	-
Avtron M6 1024 PPR	G10	-	400-S440	-	-	-	-	-	-	-	-	cf	cf	cf	
Special	Y75	-	140-S440	-	-	-	-	-	-	-	-	cf	cf	cf	

Prices and Specifications are subject to change without notice.

Introduction
General Purpose Motors
Severe Duty Motors
Hazardous Duty Motors
Definite Purpose Motors
QuickMOD Detail
Custom Options Detail
Typical Performance Data
General Dimensions
Part Number Index

Special features detail



NEMA Motors Modifications



Introduction

General Purpose Motors

Severe Duty Motors

Hazardous Duty Motors

Definite Purpose Motors

QuitMOD Detail

Custom Options Detail

Typical Performance Data

General Dimensions

Part Number Index

QuikMOD options

Overview

Siemens new **QuikMOD** program provides 'quick' deliveries for a wide selection of stock motor modifications from the Little Rock Modification Center.

Delivery – 2 days*

Definitions:

Part Number - Consists of a combination of 16 figures and letters structured to describe the characteristics of the NEMA motor for order entry.

Please refer to Section 9 for the complete part numbering system.

Example: 1LE21212AB214AA3 - GP100A, 10HP, 1800RPM, 208-230/460V, 215T, horizontal foot-mounted

Part Number Positioning

1	2	3	4	5	6	7	8	9	10	11	12	13	14	15	16
1	L	E	2	1	2	1	2	A	B	2	1	4	A	A	3

Order Code – Figures or letters describing the QuikMOD or Custom Option.

Order Code Position – The position within the Part Number that the QuikMOD or Custom Option Order Code would be added.

Ordering Instructions:

1. Select stock motor from Sections 2 thru 4. (Note Part Number)
2. Verify applicability of desired **QuikMOD(s)**. (Per motor type & frame at end of product pages or Special Features)
3. Select applicable **QuikMOD(s)**. (Note Order Code, Order Code Position and List Price Adder from above mentioned sections)
4. Construct new **Part Number** and **List Price**. (See examples)
 - a. If the QuikMOD Order Code Position is 12, 13, 14, 15 or 16, replace the figure(s) or letter(s) at the same position in the stock motor Part Number with the QuikMOD Order Code.
 - b. If the **QuikMOD Order Code Position** is Z, add a '-Z' to the end of the stock motor Part Number. Then add a '+' sign followed by the **QuikMOD Order Code**.

QuikMOD Motor Pricing Example:

Example: 10HP, 1800RPM, 208-230/460V, 215T, GP100A, D-flange with feet, normally closed thermostats and bi-directional rotation arrow.

Base List Price:	\$1,219	Part Number 1LE21212AB214AA3
List Price Adders:		
D-Flange with Feet	\$ 396	Order Code F , Order Code Position 14
Thermostats	\$ 229	Order Code G , Order Code Position 15
Rotation Arrow	\$ 141	Order Code K70 , Order Code Position Z
Total List Price:	\$1,985	New Part Number - 1LE21212AB214FG3-Z +K70
Delivery:		2 Working Days, subject to availability

QuikMOD plus Custom Options – Available as custom built motors only. Please contact Siemens for delivery time.

* Working days, calculated from normal business hours excluding holidays and weekends, not including the day the purchase order is received. Subject to availability of the stock motors and parts at the time of order entry. Maximum 3 QuikMODs per motor.

QuikMOD options

Overview

Altitude

TEFC (General Purpose & Severe Duty) motors with a 1.15 service factor in a 40°C ambient at 3300 feet will operate at a 1.0 service factor in a 40°C ambient at altitudes up to 9900 feet. For altitudes greater than 9900 feet, please consult Siemens.

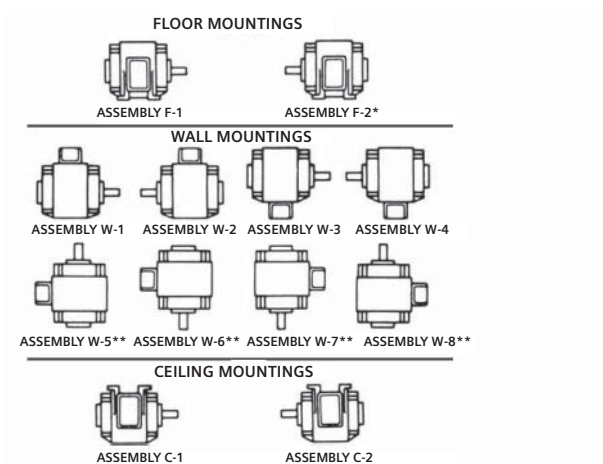
Standard motors will operate at their rated service factor at altitudes above 3300 feet at the corresponding ambient temperatures as shown in the following table.

Maximum Altitude in Feet	Ambient Temperature
3300 ft (1000m)	40°C (104°F)
6600 ft (2000m)	30°C (56°F)
9900 ft (3000m)	20°C (68°F)

Ambient

TEFC (General Purpose & Severe Duty) motors with a 1.15 service factor in a 40°C ambient at 3300 feet will operate at a 1.0 service factor at 3300 feet altitude up to a 65°C ambient. For ambients greater than 65°C or below -25°C, please consult Siemens.

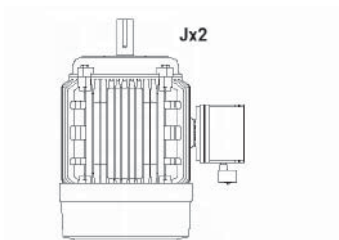
Assembly - Mounting and Terminal Box Position



Assembly F-1, W-3, W-6, W-8 and C-2 – Standard Lead Location
 Assembly F-2, W-1, W-4, W-5, W-7 and C-1 – Lead Location Opposite Standard

Conduit Box – Auxiliary

Condulet to Main Box



Motors can be furnished in assemblies shown. When motors are ordered according to a particular mounting, bearing brackets are assembled and grease fittings are properly installed for operation with the motor in the position shown. However, no attempt is made to locate fittings on any particular side of the motor.

CAUTION:

** Horizontal ball bearing motors assembly W-5, W-6, W-7 and W-8 are not suitable for external thrust in excess of the weight of the rotor and half-coupling.

QuikMOD options

Overview

Hardware

Stainless steel hardware, limited to bearing housing bolts, terminal housing bolts, and breather drains only.

Hazardous Duty - Rerate

Motor type XP100 (Class I, Group C&D, Class II, Groups F & G, Division 1) with 1.0 service factor can be re-nameplated to 1.15 service factor for 140-250 frame motors only.

Nameplates

Division 2

Non hazardous duty motors can be used in Class I, Division 2 areas provided no arcing devices are used. Advise ignition temperature or T-code and Class with requests.

Non (agency) certified, general purpose and severe duty motors are available with the following metal tag:

Frequency Change

The following tabulation shows the synchronous speeds 60 Hertz 50 Hertz. For different frequencies or adjustable frequency applications, contact Siemens.

To derate a continuous duty 60 hertz motor to a continuous 50 hertz motor, use the modifiable list price of the next larger HP 60 hertz motor and add the list price as shown in the table. Motor will be Class F, 1.15 service factor.

Service Factor

For non-standard service factor, contact Siemens.

Space Heaters

Leads marked H1 & H2

List price addition covers space heaters installed in motors with leads terminated in the main conduit box. NEC (2005) requires any Division 2 motor that is not agency certified and is a general purpose non-explosion enclosure to permanently mark on a visible nameplate on the motor surface the max surface temp based on 40°C ambient - this plate will show 200°C.

CAUTION: Use in Division 2 areas with ignition temperatures below 250°C (250 x .80 = 200) should be avoided. [Reference: 501-8(b)].

MOTOR MEETS, DURING NORMAL OPERATION, THE DEFINITION IN THE NATIONAL ELECTRICAL CODE 2005-501-125(B) FOR MOTORS PERMITTED TO BE INSTALLED IN CLASS I, DIVISION 2 AREAS. NATIONAL ELECTRICAL CODE REQUIREMENTS AND RESTRICTIONS MUST BE OBSERVED. 51518308001

No. of Poles	Speed (RPM)	
	60 Hertz	50 Hertz
2	3600	3000
4	1800	1500
6	1200	1000
8	900	750

For hazardous duty motors, contact Siemens.

QuikMOD options

Overview

Software

- D05 Documentation in Spanish
- F00 Certificate of Compliance, Copy of original customer P.O. must accompany order
- F40 Standard Data Transmittal and certification sheet, including motor description and nameplate data
- F42 Standard Tabulated Dimension Sheet
- F44 Standard Conduit Box Dimension Sheet
- F45 Standard wiring/connection diagram
- F46 Standard operation and maintenance bulletins
- F47 Standard renewal parts bulletin for standard construction
- F49 Standard Tabulation performance data sheets with typical data; only 460V 60HZ
- F03 Standard Performance curves, single page format includes curves of speed vs. torque, amps, horsepower vs power factor, efficiency, amps, speed; based on typical data

Testing

All Siemens motors are given a routine line test per NEMA MG1 and IEEE-112.

Routine Test

Routine test consists of the following items tested in accordance with IEEE standard 112.

- No Load Current
- No Load Speed
- Locked-Rotor Current
- Winding Resistance
- High Potential
- Bearings/Vibration Check

Vibration data is NOT recorded with a routine test. If required, please add.

Test report of routine test is based on IEEE Std. 112 Form A-1 and includes complete nameplate information.

Bases

Slide Base - Shipped loose

Base Description	Part Number	Frame	List Price Adder \$	Lead Time (Days)
Single Adjustment Slide	CP-839-481-120	143T	123	5
	CP-839-481-121	145T	123	5
	CP-839-481-122	182T	123	5
	CP-839-481-123	184T	123	5
	CP-839-481-124	213T	138	5
	CP-839-481-125	215T	138	5
Double Adjustment Slide	CP-839-481-156	254T	251	5
	CP-839-481-157	256T	251	5
	CP-839-481-158	284t	283	5
	CP-839-481-159	286T	283	5
	CP-839-481-160	324T	373	5
	CP-839-481-161	326T	373	5
	CP-839-481-162	364T	432	5
	CP-839-481-132	365T	432	5
	CP-839-481-133	404T	872	5
	CP-839-481-150	405T	872	5
	CP-839-481-151	444T	969	5
	CP-839-481-152	445T	969	5
CP-839-481-153	447T	1297	5	
CP-839-481-155	449T	1297	5	

Adapter Bases

(RG Motors only) – Shipped loose
Please consult factory.

QuikMOD options

Selection and pricing

Voltage		* 12 & 13	GP100A	GP100	SD100	SD100 IEE841	XP100	XP100 ID1	SD10 MS	RGZESDI	RGZVILESD
Single Voltage	230V	11	140-250	HP 1-751	HP 1-20	–	HP 1-20	HP 1-20	–	–	HP 1-20
	460V	12	140-250	HP 1-75 Std. HP >75	HP 1-20 Std. HP>20	Std	HP 1-20 Std. HP>100	HP 1-20 Std. HP>100	Std	Std	HP 1-20 Std. HP>20
	575V	13	140-250	140-440	140-S440	140-S440	140-440	140-440	140-440	–	140-440
	208-230V/460V	14	Std	–	Std 140-250	–	Std 140-250	Std 140-250	–	–	–
	230/460V	16	140-250	Std. HP 1-75	140-250	–	Std. HP 25-100	Std. HP 25-100	–	–	Std HP 1-20
Special Voltage	200-600V	90	140-250	140-440	140-S440	140-S440	140-440	140-440	140-440	140-S440	140-440
Flanges and Bearing Housing		* 14	GP100A	GP100	SD100	SD100 IEE841	XP100	XP100 ID1	SD10 MS	RGZESDI	RGZVILESD
Foot Mounted	C - Face 1)	E	–	280-440	280-440	–	140-440	140-440	140-440	140-440	–
	D - Flange	F	–	140-250	140-250	–	–	–	140-250	140-250	–
	C - Face w/drip cover	N	–	280-440	280-440	–	140-440	140-440	140-440	140-440	–
	D - Flange w/drip cover	P	–	140-250	140-250	–	–	–	140-250	–	–
Round Body	D - Flange	H	–	140-250	140-250	–	–	–	–	–	–
	D - Flange w/drip cover	M	–	140-250	140-250	–	–	–	–	–	–
Protection		* 15	GP100A	GP100	SD100	SD100 IEE841	XP100	XP100 ID1	SD10 MS	RGZESDI	RGZVILESD
Thermostats Klaxon Type	Normally closed 1 x phase	G	–	140-140	140-S440	140-S440	Std	–	–	–	–
Mounting		* 16	GP100A	GP100	SD100	SD100 IEE841	XP100	XP100 ID1	SD10 MS	RGZESDI	RGZVILESD
Horizontal - T. box top	F-3	0	140-250	–	–	–	–	–	–	–	–
Ceiling Mount - T. Box LHS	C-2	1	140-250	140-440	140-S440	140-S440	140-440	140-440	140-S440	140-S440	–
Horizontal - T. box RHS	F-2	2	–	140-440	140-440	140-440	–	210-440	140-440	–	–
Vertical, Shaft down, T. Box RHS	W-6	4	–	140-440	–	–	140-440	140-440	440	–	–
Vertical, Shaft down, T. Box LHS	W-7	5	–	140-180	–	–	140-180	140-180	440	–	–
Vertical, Shaft up, T. Box LHS	W-5	6	140-250	140-180	140-440	140-440	140-180	140-180	140-180	–	–
Vertical, Shaft up, T. Box RHS	W-8	7	140-250	140-180	140-440	140-440	140-180	140-180	140-440	140-440	–
Ceiling Mount - T. Box RHS	C-1	8	140-250	140-180	140-440	140-440	140-180	140-180	140-180	–	–
Wall Mount (Additional code R1A required)	W-1	9-R1A	140-250	140-180	140-440	140-440	140-180	140-180	140-180	–	–
Wall Mount (Additional code R2A required)	W-2	9-R2A	140-250	140-440	140-S440	140-440	140-440	140-440	140-440	140-440	–
Wall Mount (Additional code R3A required)	W-3	9-R3A	140-250	140-440	140-S440	140-S440	140-440	140-440	140-440	140-440	–
Wall Mount (Additional code R4A required)	W-4	9-R4A	140-250	140-180	140-440	140-S440	140-180	140-180	140-180	–	–

Position to be replaced in the part number by the chosen number or letter.
 1) C-Face with feet for 440 frames, only available with ball bearings.
 Prices and Specifications are subject to change without notice.

QuikMOD Delivery for stocked motors only.
 Std = Standard, cf = consult factory, nc = no additional cost.

QuikMOD options

Selection and pricing

			List Price \$									
Voltage		* 12 & 13	140	180	210	250	280	320	360	400	440	S440
Single Voltage	230V	11	123	123	138	159	161	161	191	191	–	–
	460V	12	123	123	138	159	161	161	191	191	–	–
	575V	13	nc	nc	nc	nc	nc	nc	nc	nc	nc	nc
	208-230V/460V	14	Std	Std	Std	Std	–	–	–	–	–	–
Special Voltage	200-600V	90	120	120	120	166	200	482	546	714	1187	1486
Flanges and Bearing Housing		* 14	140	180	210	250	280	320	360	400	440	S440
Foot Mounted	C - Face ¹⁾	E	206	249	283	625	870	941	1016	1261	1493	cf
	D - Flange	F	284	361	396	774	–	–	–	–	–	–
	C - Face w/drip cover	N	360	403	438	794	1035	1236	1615	2099	3043	cf
	D - Flange w/drip cover	P	442	519	555	948	cf	cf	cf	cf	cf	–
Round Body	D - Flange	H	302	396	428	809	–	–	–	–	–	–
	D - Flange w/drip cover	M	527	637	661	1049	–	–	–	–	–	–
Protection		* 15	140	180	210	250	280	320	360	400	440	S440
Without thermal protection		A	nc	nc	nc	nc	nc	nc	nc	nc	nc	nc
Thermostats Klixon Type	normally closed 1 x phase	G	229	229	229	229	229	306	306	459	566	566
Mounting		* 16	140	180	210	250	280	320	360	400	440	S440
Horizontal - T. box top	F-3	0	125	125	125	125	–	–	–	–	–	–
Ceiling Mount - T. Box LHS	C-2	1	133	133	133	133	134	134	134	134	134	137
Horizontal - T. box RHS	F-2	2	283	283	283	283	284	284	284	284	284	294
Vertical, Shaft down, T. Box RHS	W-6	4	191	191	191	191	191	191	191	191	202	212
Vertical, Shaft down, T. Box LHS	W-7	5	272	272	272	272	272	272	272	272	288	303
Vertical, Shaft up, T. Box LHS	W-5	6	283	283	283	283	283	284	284	284	284	–
Vertical, Shaft up, T. Box RHS	W-8	7	130	130	130	130	131	131	131	131	130	127
Ceiling Mount - T. Box RHS	C-1	8	283	283	283	283	284	284	284	284	284	–
Wall Mount (Additional code R1A required)	W-1	9-R1A	283	283	283	283	284	284	284	284	284	–
Wall Mount (Additional code R2A required)	W-2	9-R2A	129	129	129	129	130	130	130	130	130	132
Wall Mount (Additional code R3A required)	W-3	9-R3A	288	288	288	288	289	289	289	289	289	294
Wall Mount (Additional code R4A required)	W-4	9-R4A	127	127	127	127	128	128	128	128	128	132

Position to be replaced in the part number by the chosen number or letter.

1) C-Face with feet for 440 frames, only available with ball bearings.

Prices and Specifications are subject to change without notice.

QuikMOD Delivery for stocked motors only.

QuikMOD options

Selection and pricing

Bearings and Lubrication		Code	GP100A	GP100	SD100	SD100 IEEE841	XP100	XP100 ID1	SD10 MS	RGZESDI	RGZVILESD
Grease Fitting	Pressure relief	L60	–	140-440	140-S440	–	140-440	140-440	140-440	140-S440	140-440
Roller Bearings	In lieu of ball bearings	L65	–	–	–	–	280-400	280-400	–	–	–
Insulated Bearing	Both ends	L66	–	140-440	140-S440	Std	140-440	140-440	140-440	140-S440	–
	Only on opposite Drive End	L67	–	–	–	–	–	–	280-400	280-S440	–
Ball Bearings	Sealed (except 2 pole, 360+ frames)	L68	–	140-440	140-S440	Std	140-440	140-440	140-440	140-S440	–
Shaft and Seals		Code	GP100A	GP100	SD100	SD100 IEEE841	XP100	XP100 ID1	SD10 MS	RGZESDI	RGZVILESD
Slinger & O Ring	(4, 6, 8 Pole only)	L76	–	250-440	140-S440	140-S440	–	–	140-440	–	–
Inpro Seal	Drive End	L79	–	–	140-S440	–	–	–	–	–	–
Inpro Seal	Opposite Drive End	L80	–	–	140-S440	–	–	–	–	–	–
Inpro Seal	Both ends	L81	–	–	140-S440	Std	–	–	–	–	–
Coupling	Customer supplied	H10	–	–	140-S440	140-440	140-440	140-440	–	–	–
Terminal Box		Code	GP100A	GP100	SD100	SD100 IEEE841	XP100	XP100 ID1	SD10 MS	RGZESDI	RGZVILESD
Main Terminal Box	Orientation 90° CCW	J84	–	140-140	140-S440	140-S440	140-440	140-440	140-440	140-S440	140-440
	Orientation 180° CCW	J85	–	140-440	140-S440	140-S440	140-440	140-440	140-440	140-S440	140-440
	Orientation 270° CCW	J86	–	140-440	140-S440	140-S440	140-440	140-440	140-440	140-S440	140-440
Condulet	To main Terminal Box ¹⁾	JX2	–	240-440	140-S440	140-S440	–	–	140-440	140-S440	140-440
Terminal Block	Brundy Hydent Type YA	K80	140-250	140-440	140-S440	140-S440	140-440	140-440	140-440	140-S440	140-440
	Terminal Block - 3 lead only	K83	–	140-280	–	–	–	–	–	–	–
Leads	Sealed Leads ²⁾	K89	–	140-440	140-S440	140-S440	–	–	140-440	140-S440	140-440
Frame		Code	GP100A	GP100	SD100	SD100 IEEE841	XP100	XP100 ID1	SD10 MS	RGZESDI	RGZVILESD
Rotational Arrow	Bidirectional (not for unidirectional)	K70	140-250	140-440	140-S440	140-S440	140-440	140-440	140-440	140-S440	140-440
	Clockwise	K71	140-250	140-440	140-S440	140-S440	140-440	140-440	140-440	140-S440	140-440
	Counterclockwise	K72	140-250	140-440	140-S440	140-S440	140-440	140-440	140-440	140-S440	140-440
Hardware	Stainless Steel (Includes T Drain SS)	L22	–	140-440	140-S440	Std	–	–	140-440	140-S440	140-440
Lifting Eyebolt		L20	Std.	140	140	Std	140	140	140	140	Std
Grounding	Provision (tapped hole on frame w/bolt)	L27	–	140-440	140-S440	140-S440	140-440	140-440	140-440	140-S440	140-440
Drain Plugs	T Drain SS	L45	–	140-440	140-S440	140-S440	–	–	140-440	140-S440	–
	Crouse Hinds UL Approved	L46	–	–	280-S440	280-S440	–	–	280-440	280-S440	–
Fan	Bronze	M10	–	140-440	140-S440	140-S440	–	–	140-440	140-S440	140-440
Nameplates	Add'l nameplate same information	M21	140-250	140-440	140-S440	140-S440	140-440	140-440	140-440	140-S440	140-440
	Div 2 nameplate	M22	–	–	140-S440	140-S440	–	–	140-440	140-440	140-440
	Derate - Service Factor, Altitude	Y80	140-250	140-440	–	–	–	–	–	–	–
	Auxiliary Nameplate Max 40 Char.	Y82	140-440	140-440	140-S440	140-S440	140-440	140-440	140-440	280-S440	140-440
Vertical Jacking	Provisions	M39	–	280-440	280-S440	280-S440	280-440	280-440	280-440	280-S440	Std

1) Condulet or auxiliary box to main only available for GP motors when ordered when ordered with Cast Iron Terminal Box.

2) Only for single voltage.

K71, K72: Viewed from the ODE.

Prices and Specifications are subject to change without notice. QuikMOD Delivery for stocked motors only.

QuikMOD options

Selection and pricing

			List Price \$										
			140	180	210	250	280	320	360	400	440	S440	
Bearings and Lubrication			Code	140	180	210	250	280	320	360	400	440	S440
Grease Fitting	Pressure relief	L60	186	186	186	186	186	186	186	186	186	186	189
Roller Bearings	In lieu of ball bearings	L65	–	–	–	–	1215	1215	1215	1215	Std	Std	
Insulated Bearing	Both Ends	L66	229	229	229	458	458	458	572	916	916	1207	
	Only on opposite Drive End	L67	–	–	–	–	1252	1484	1761	3823	5884	8343	
Ball Bearings	Sealed (except 2 pole, 360+ frames)	L68	229	229	229	458	458	458	572	916	916	1207	
Shafts and Seals			Code	140	180	210	250	280	320	360	400	440	S440
Slinger & O Ring	(4, 6, 8 Pole only)	L76	88	88	88	121	121	164	164	207	207	213	
Inpro Seal	Drive End	L79	489	489	510	595	616	649	744	914	999	1044	
Inpro Seal	Opposite Drive End	L80	511	511	533	622	644	678	778	955	1044	1044	
Inpro Seal	Both ends	L81	1021	1021	1066	1244	1289	1356	1556	1911	2088	2088	
Coupling	Customer Supplied	H10	485	485	485	485	485	485	716	716	716	728	
Terminal Box			Code	140	180	210	250	280	320	360	400	440	S440
Maint Terminal Box	Orientation 90° CCW	J84	134	134	134	134	134	134	134	134	134	137	
	Orientation 180° CCW	J85	134	134	134	134	134	134	134	134	134	137	
	Orientation 270° CCW	J86	134	134	134	134	134	134	134	134	134	137	
Condulet	To main Terminal Box 1)	JX2	251	251	251	251	251	251	251	251	251	250	
Terminal Block	Burndy Hydent type YA	K80	170	170	170	170	171	171	171	171	171	175	
	Terminal Block - 3 lead only	K83	228	228	228	342	342	518	518	–	–	–	
Leads	Sealed Leads 2)	K89	cf	cf	cf	cf	cf	cf	cf	cf	cf	cf	
Frame			Code	140	180	210	250	280	320	360	400	440	S440
Rotational Arrow	Bidirectional (not for uni-directional)	K70	141	141	141	141	142	142	142	142	142	144	
	Clockwise	K71	141	141	141	141	142	142	142	142	142	144	
	Counterclockwise	K72	141	141	14	141	142	142	142	142	142	144	
Hardware	Stainless steel (Includes T Drain SS)	L22	203	203	203	203	203	251	308	380	468	641	
Lifting eyebolt		L20	43	–	–	–	–	–	–	–	–	–	
Grounding	Provision (tapped hole on frame w/bolt)	L27	142	142	142	164	164	186	186	186	261	266	
Drain Plugs	T Drain SS	L45	161	161	161	234	234	237	307	307	307	319	
	Crouse-Hinds UL Approved	L46	–	–	–	–	353	353	353	353	353	364	
Fan	Bronze	M10	546	546	706	752	941	1137	1190	1325	1830	1830	
Nameplates	Additional nameplate (replica of original)	M21	163	163	163	163	164	164	164	164	164	167	
	Division 2 nameplate	M22	322	322	322	322	322	322	322	322	322	311	
	Derate - Service Factor Altitude and/or Ambient	Y80	161	161	161	161	164	164	164	164	164	167	
	Auxiliary nameplate Max. 40 Characters	Y82	161	161	161	161	164	164	164	164	164	167	
Vertical Jacking	Provisions	M39	–	–	–	–	867	867	867	867	867	910	

1) Condulet or auxiliary box to main only available for GP motors when ordered when ordered with Cast Iron Terminal Box.
2) Only for single voltage.

K71, K72: Viewed from the ODE.
Prices and Specifications are subject to change without notice.
QuikMOD Delivery for stocked motors only.

QuikMOD options

Selection and pricing

Winding		Code	GP100A	GP100	SD100	SD100 IEEE841	XP100	XP100 ID1	SD10 MS	RGZESDI	RGZVILESD
Insulation	Fungus Protection	C07	140-440	140-440	140-S440	Std	140-440	140-440	140-440	140-S440	140-440
Space Heaters	115V Single Phase	A40	140-250	140-440	140-S440	140-S440	–	–	140-S440	–	140-440
	230V Single Phase	A41	140-250	140-440	140-S440	140-S440	–	–	140-S440	–	140-440
	115V Single Phase, Division 2	A42	–	–	140-S440	140-S440	–	–	140-S440	–	140-440
	230V Single Phase, Division 2	A44	–	–	140-S440	140-S440	–	–	140-S440	–	140-440
Paint and Others		Code	GP100A	GP100	SD100	SD100 IEEE841	XP100	XP100 ID1	SD10 MS	RGZESDI	RGZVILESD
packaging	Sea freight - Siemens Standard	B09	150-250	140-440	140-S440	140-S440	140-440	140-440	140-440	140-S440	140-440
Software		Code	GP100A	GP100	SD100	SD100 IEEE841	XP100	XP100 ID1	SD10 MS	RGZESDI	RGZ- VILESD
Software	Documentation in Spanish	D05	140-250	140-440	140-S440	140-S440	140-440	140-440	140-440	140-S440	140-440
	Certificate of Compliance	F00	140-250	140-440	140-S440	140-S440	140-440	140-440	140-440	140-S440	140-440
	Standard Data Transmittal	F40	140-250	140-440	140-S440	140-S440	140-440	140-440	140-440	140-S440	140-440
	Standard Dimen- sion Sheet	F42	140-250	140-440	140-S440	140-S440	140-440	140-440	140-440	140-S440	140-440
	Conduit Box Dimension Sheet	F44	140-250	140-440	140-S440	140-S440	140-440	140-440	140-440	140-S440	140-440
	Wiring Diagram	F45	140-250	140-440	140-S440	140-S440	140-440	140-440	140-440	140-S440	140-440
	IOM	F46	140-250	140-440	140-S440	140-S440	140-440	140-440	140-440	140-S440	140-440
	Renewal Parts	F47	140-250	140-440	140-S440	140-S440	140-440	140-440	140-440	140-S440	140-440
	Performance Data Sheets	F49	140-250	140-440	140-S440	140-S440	140-440	140-440	140-440	140-S440	140-440
Typical Data	F03	140-250	140-440	140-S440	140-S440	140-440	140-440	140-440	140-S440	140-440	
Tests		Code	GP100A	GP100	SD100	SD100 IEEE841	XP100	XP100 ID1	SD10 MS	RGZESDI	RGZVILESD
Test	Routine Test Report	F10	140-250	140-440	140-S440	140-S440	140-440	140-440	140-440	140-S440	140-440
	Noise	F30	140-250	140-440	140-S440	140-S440	140-440	140-440	140-440	140-S440	140-440
	Noise (Witnessed)	F32	140-250	140-440	140-S440	140-S440	140-440	140-440	140-440	140-S440	140-440

Prices and Specifications are subject to change without notice.
QuikMOD Delivery for stocked motors only.

QuikMOD options

Selection and pricing

			List Price \$									
Winding		Code	140	180	210	250	280	320	360	400	440	S440
Insulation	Fungus Protection	C07	212	212	212	310	310	537	537	537	537	546
Space Heaters	115V Single Phase	A40	352	352	352	352	528	528	528	612	612	599
	230V Single Phase	A41	352	352	352	352	528	528	528	612	612	599
	115V Single Phase Division 2	A42	455	455	455	455	679	679	816	997	1181	1259
	230V Single Phase Division 2	A44	455	455	455	455	679	679	816	997	1181	1259
Paint and Others		Code	140	180	210	250	280	320	360	400	440	S440
Packaging	Precision	M69	190	190	190	218	218	248	248	313	313	610
	Sea freight - Siemens Standard	B09	333	333	333	333	761	1133	1133	1506	1506	1533
Software		Code	140	180	210	250	280	320	360	400	440	S440
Software	Documentation in Spanish	D05	nc	nc	nc	nc	nc	nc	nc	nc	nc	nc
	Certification of Compliance	F00	296	296	296	296	299	299	299	299	299	303
	Standard Date Transmittal	F40	44	44	44	44	45	45	45	45	45	46
	Standard Dimension Sheet	F42	44	44	44	44	45	45	45	45	45	46
	Conduit Box Dimension Sheet	F44	44	44	44	44	45	45	45	45	45	46
	Wiring Diagram	F45	44	44	44	44	45	45	45	45	45	46
	IOM	F46	44	44	44	44	45	45	45	45	45	46
	Renewal Parts	F47	44	44	44	44	45	45	45	45	45	46
	Performance Data Sheets	F49	259	259	259	259	261	261	261	261	261	266
Typical Data	F03	740	740	740	740	747	747	747	747	747	759	
Tests		Code	140	180	210	250	280	320	360	400	440	S440
Test	Routine Test Report	F10	296	296	296	296	299	299	299	299	299	303
	Noise	F30	4144	4144	4144	4144	4183	4183	5378	5378	5378	5463
	Noise (Witnessed)	F32	6512	6512	6512	6512	6573	7768	7768	7768	7768	7891

Prices and Specifications are subject to change without notice.
QuikMOD Delivery for stocked motors only.

Custom options

Overview

All **Custom Options** selected from this section will require a custom built motor. Please contact Siemens for delivery time.

Definitions:

Part Number - Consists of a combination of 16 figures and letters structured to describe the characteristics of the NEMA motor for order entry. Please refer to Section 9 for the complete part numbering system.

Example: 1LE21212AB214AA3 - GP100A, 10HP, 1800RPM, 208-230/460V, 215T, horizontal foot-mounted

Part Number Positioning

1	2	3	4	5	6	7	8	9	10	11	12	13	14	15	16
1	L	E	2	1	1	1	2	A	A	2	1	4	A	A	3

Order Code – Figures or letters describing the **QuikMOD** or **Custom Option**.

Order Code Position – The position within the **Part Number** that the QuikMOD or Custom Option **Order Code** would be added.

Ordering Instructions:

1. Select a stock motor from the **Motor Selection and Pricing Section**. (Note Part Number)
2. **Verify applicability of desired Custom Option(s) at the end of the section.** (Per motor type and frame)
3. **Select applicable Custom Option(s).** (Note Order Code, Order Code Position and List Price Adder)
4. **Construct new Part Number and List Price.** (See example below)
 - a. If the **Custom Order Code Position** is 12, 13, 14, 15 or 16, replace the figure(s) or letter(s) at the same position in the stock motor **Part Number** with the **Custom Option Order Code**.
 - b. If the **Custom Option Order Code Position** is Z, add a '-Z' to the end of the stock motor **Part Number**. Then add a '+' sign followed by the **Custom Option Order Code**.

Custom Options can be combined with **QuikMODs**. Please contact Siemens for delivery time. See example below.

Custom Options combined with QuikMOD Motor Pricing Example:

Example: 15HP, 1800RPM, 208-230/460V, 254T, SD100, Copper Rotor, D-flange with feet, PTC thermistors (3 embedded temperature sensors for tripping) with conduit to main box and Class H insulation.

Base List Price:	\$2,131	Part Number 1LE23112BB114AA3
List Price Adders:		
D-Flange with Feet	\$ 774	Order Code F , Order Code Position 14 (QuikMOD from Section 5)
PTC Thermistors	\$ 634	Order Code B , Order Code Position 15
Conduit to Main Box	\$ 251	Order Code J02 , Order Code Position Z
Class H Insulation	<u>\$ 157</u>	Order Code C00 , Order Code Position Z
Total List Price:	\$3,947	New Part Number – 1LE23112BB114FB3-Z + J02+C00
Delivery:		Please contact Siemens for delivery

Custom options

Overview

Balance

All motors are dynamically balanced to commercial limits measure in accordance with NEMA MG1-12.06. Modified motors can be built to exceed standard commercial limits based on Table 1 below.

Balance Limits

Maximum amplitude, Inches, Peak to Peak

Balance	NEMA	Precision		Extra Precision		
RPM	143T	143T	364T	143T	284T	364T
	449T	326T	449T	256T	326T	449T
	mils P/P	mils P/P		mils P/P		
0 - 999	2.5	0.5	0.75	0.2	0.3	0.4
1000 - 1999	2.0	0.5	0.75	0.2	0.3	0.4
2000 - 2999	1.5	0.5	0.75	0.2	0.3	0.4
3000 - 4000	1.0	0.5	0.75	0.2	0.3	0.4

Velocity, inches, inches/seconds

Balance	NEMA	Precision		Extra Precision		
RPM	143T	143T	364T	143T	284T	364T
	449T	326T	449T	256T	326T	449T
	in/sec	in/sec		in/sec		
0 - 999	0.1308	0.0262	0.0392	0.1050	0.0157	0.0209
1000 - 1999	0.2093	0.0523	0.0785	0.0209	0.0314	0.0419
2000 - 2999	0.2355	0.0785	0.1178	0.0314	0.0471	0.0628
3000 - 4000	0.2094	0.1047	0.1571	0.0419	0.0628	0.0838

NOTE: IN P-P refers to amplitude displacement.
 NEMA unfiltered velocity limit 0.15 in/s peak.
 IEEE Std 841 unfiltered velocity limit 0.08 in/s peak.
 NOTE: For balance limits greater than Precision balance, contact factory.

Bearings

Insulated bearings are only available as sealed bearings. Motors having roller bearings (444T to 449T) require a minimum radial load. Use of these motors in direct connected applications is discouraged to avoid excessive drive end bearing noise and/or reduced bearing life.

Connections

Part Winding Start - Starting torques are reduced at the motor shaft.

Wye Start - Delta Run - Starting torques are reduced at the motor shaft.

Standard 50 hertz voltages are 220, 380, 400, 415, 440, 550 and 220/380.

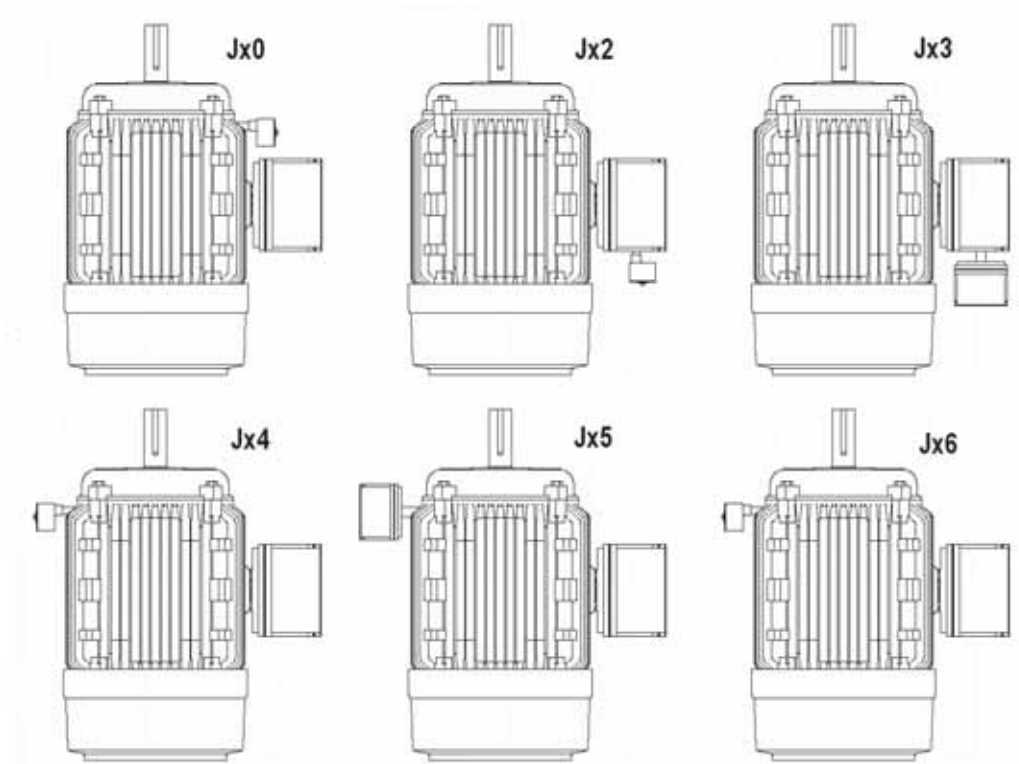
Standard 60 hertz voltages are 200, 230, 460, 575 and 230/460.

Custom options

Overview

Auxiliary Boxes

	<div style="display: flex; justify-content: space-between;"> <div style="writing-mode: vertical-rl; transform: rotate(180deg);">Conduit - Main Box side</div> <div style="writing-mode: vertical-rl; transform: rotate(180deg);">Conduit to Main Box</div> <div style="writing-mode: vertical-rl; transform: rotate(180deg);">Auxiliary Box to Main Box</div> <div style="writing-mode: vertical-rl; transform: rotate(180deg);">Conduit - opposite to Main Box</div> <div style="writing-mode: vertical-rl; transform: rotate(180deg);">Auxiliary Box - Opposite of Main Box</div> <div style="writing-mode: vertical-rl; transform: rotate(180deg);">Explosion Proof Conduit - Opposite of Main Box</div> </div>					
PTC Thermistors	J00	J02	J03	J04	J05	J06
Thermostats	J10	J12	J13	J14	J15	J16
KTY84 Temperature Sensors	J20	J22	J23	J24	J25	J26
Space Heaters	J50	J52	J53	J54	J55	J56



Couplings – Customer Supplied

Rigid couplings, flexible couplings, pinions and V-belt sheaves can be pressed on at List Price adders per the table below. Couplings, pinions or sheaves must be finish bored and key-seated to Siemens shaft dimensions and must be shipped to the plant freight prepaid.

Custom options

Overview

Encoders

Encoder Selection Guide

Encoders (also known as tachometers) mount on the motor shaft to provide precise speed and position feedback to the control system. Encoders use two basic technologies and two common mounting methods

Technology: Magnetic/Magneto resistive, and Optical.
Mounting: Hollow shaft and modular.

Encoder selection should be based on several factors: mechanical service duty, and environment.

Type of encoder

Optical encoders are usually less expensive, but are more vulnerable to shock, vibration, and contamination from dusty, dirty, wet or chemical environments; Siemens recommends magnetic encoders for these environments.

Encoder Mounting

Hollow shaft / tethered encoders are easier to mount, but are less robust than modular encoders; Siemens recommends modular encoders for rough mechanical service applications.

Other mountings technologies, such as solid shaft coupled, are available and may be required for special applications, but are not generally recommended. Call factory for pricing.

Encoder Wiring:

Encoders may be connected via military connectors (solder connections with screw housing) or industrial connectors (pin connections with terminal strip)

Vendor standard connectors shown; call factory for special connectors.

Recommended Type	Typical Applications							
	Conveying	Converting	Films	Paper	Steel	Hoist	Marine	Oil Drilling
Light								
Standard								
Heavy								

Darker = Better suited for application

Accessory	Order Codes			
	Single Output	Dual Output	Marker Pulse	Shaft Grounding
Avtron M3 1024 PPR	G00	Y75	Std	Y75
Avtron M4 1024 PPR	G01	Y75	Std	Y75
Avtron M561024 PPR	G02	Y75	Std	Y75
Avtron M85 1024 PPR	G03	Y75	Std	Y75
BEI HS35 1024 PPR	G04	NA	Std	Y75
Dynapar HS35 1024 PPR	G05	NA	Std	Y75
Northstar 8500 1024 PPR (210-360)	G06	Y75	Y75	Y75
Northstar 8500 1024 PPR (400-440)	G07	Y75	Y75	Y75
Northstar SL56 1024 PPR	G08	Y75	Y75	Y75
Avtron HS35A	G09	NA	std	Std

Custom options

Overview

Encoders can be factory installed at Siemens for RGZESDI.

Unless specified, all encoders have 1024PPR; other PPR & special voltage output ranges available upon request.

Totally Enclosed Fan Cooled Motors

NEMA Frame	Model	Mill Duty	Encoder Style	Output		Optional Adder \$		Connector Style	Output (VDC)	Figure
				Single	Dual	Marker	Shaft			
143-184	Avtron M3	Standard	Optical Hollow Shaft	✓	✓	Std	cf	Industrial	5-24	E
	Avtron M56	Heavy	Magnetic Modular	✓	✓	Std	cf	Industrial	5-24	C
	Avtron HS35A	Light	Optical Hollow Shaft	✓	NA	Std	cf	Military	5-24	E
	BEI HS35	Light	Optical Hollow Shaft	✓	NA	Std	cf	Military	5-24	E
	Dynapar HS35R	Light	Optical Hollow Shaft	✓	NA	Std	cf	Military	5-24	E
	Northstar SL56	Heavy	Magnetic Modular	✓	✓	cf	cf	Industrial	5-15	C
213-365	Avtron M3	Standard	Optical Hollow Shaft	✓	✓	Std	cf	Industrial	5-24	E
	Avtron M85	Heavy	Magnetic Modular	✓	✓	Std	cf	Industrial	5-24	C
	Avtron HS35A	Light	Optical Hollow Shaft	✓	NA	Std	cf	Military	5-24	E
	BEI HS35	Light	Optical Hollow Shaft	✓	NA	Std	cf	Military	5-24	E
	Dynapar HS35	Light	Optical Hollow Shaft	✓	NA	Std	cf	Military	5-24	E
	Northstar 8500	Heavy	Magnetic Modular	✓	✓	cf	cf	Industrial	5-24	F
400-5449	Avtron M4	Heavy	Magnetic Hollow Shaft	✓	✓	Std	cf	Industrial	5-24	E
	Avtron M85	Heavy	Magnetic Modular	✓	✓	Std	cf	Industrial	5-24	C
	BEI HS35	Light	Optical Hollow Shaft	✓	NA	Std	cf	Military	5-24	E
	Dynapar HS35R	Light	Optical Hollow Shaft	✓	NA	Std	cf	Military	5-24	E
	Northstar 8500	Heavy	Magnetic Modular	✓	✓	cf	cf	Industrial	5-15	D

Totally Enclosed Blower Cooled Motors

NEMA Frame	Model	Mill Duty	Encoder Style	Output		Optional Adder \$		Connector Style	Output (VDC)	Figure
				Single	Dual	Marker	Shaft			
254-256	Avtron M4	Heavy	Magnetic Hollow Shaft	✓	✓	Std	cf	Industrial	5-24	B
	Avtron M56	Heavy	Magnetic Modular	✓	✓	Std	cf	Industrial	5-24	B
	Avtron HS35A	Light	Optical Hollow Shaft	✓	NA	Std	cf	Military	5-24	B
	BEI HS35	Light	Optical Hollow Shaft	✓	NA	Std	cf	Military	5-24	B
	Dynapar HS35	Light	Optical Hollow Shaft	✓	NA	Std	cf	Military	5-24	B
	Northstar SL56	Heavy	Magnetic Modular	✓	✓	cf	cf	Industrial	5-15	B
213-365	Avtron M4	Heavy	Magnetic Hollow Shaft	✓	✓	Std	cf	Industrial	5-24	B
	Avtron M85	Heavy	Magnetic Modular	✓	✓	Std	cf	Industrial	5-24	B
	BEI HS35	Light	Optical Hollow Shaft	✓	NA	Std	cf	Military	5-24	B
	Northstar 8500	Heavy	Magnetic Modular	✓	✓	cf	cf	Industrial	5-15	B
284-365	Dynapar HS35R	Light	Optical Hollow Shaft	✓	NA	Std	cf	Military	5-24	B
	Avtron HS35R	Light	Optical Hollow Shaft	✓	NA	Std	cf	Military	5-24	B
	Northstar SL56	Heavy	Magnetic Modular	✓	✓	cf	cf	Industrial	5-24	B
324-365 400-5449	Avtron M4	Heavy	Magnetic Hollow Shaft	✓	✓	Std	cf	Industrial	5-24	B
	Avtron M85	Heavy	Magnetic Modular	✓	✓	Std	cf	Industrial	5-24	B
	Northstar 8500	Heavy	Magnetic Modular	✓	✓	cf	cf	Industrial	5-15	B

Custom options

Overview

Hazardous Duty Motors

Class I:

- Gr. B Hydrogen (not available)
- Gr. C Atmospheres containing ethyl and ether vapor
- Gr. D Atmospheres containing gasoline, petroleum, naphtha, alcohols, acetone lacquer solvent vapors and natural gas.

Class II:

- Gr. E Atmospheres containing metal dust
- Gr. F Atmospheres containing carbon black, coal or coke dust.
- Gr. G Atmospheres containing grain dust.

For de-rate of XP100 motors, please consult factory.

Paint

Siemens standard finish paint consists of the following:

Modified Alkyd.

Viscosity: 28-30 seconds No.2 Zahn cup @ 77°F

Fineness: 7 N.S. units Hegeman gage

Adhesion: 90% Cross-hatch test (tape)

Impact resistance: 40 inch pounds direct - No cracks

Composition: Lead and Chromate free

Color: RAL 7030 stone gray

Altitude

TEFC (General Purpose & Severe Duty) motors with a 1.15 service factor in a 40°C ambient at 3300 feet will operate at a 1.0 service factor in a 40°C ambient at altitudes up to 9900 feet. For altitudes greater than 9900 feet, please consult Siemens.

Standard motors will operate at their rated service factor at altitudes above 3300 feet at the corresponding ambient temperatures as shown in the following table.

Ambient

TEFC (General Purpose & Severe Duty) motors with a 1.15 service factor in a 40°C ambient at 3300 feet will operate at a 1.0 service factor at 3300 feet altitude up to a 65°C ambient. For ambients greater than 65°C or below -25°C, please consult Siemens.

Protective Devices

Winding Protection

Control Modules are available for thermistors. Order Code A90. Add \$725 List. Shipped loose for customer installation.

Price does not include temperature readout devices. Contact factory for other resistance values.

Thermistors – leads marked PM1 & PM2

Bearing Protection

Price does not include temperature readout devices. Contact factory for other resistance values.

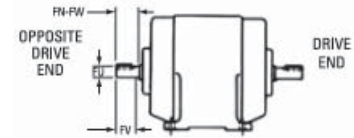
Maximum Altitude in Feet	Ambient Temperature
3300 ft (1000m)	40°C (104°F)
6600 ft (2000m)	30°C (56°F)
9900 ft (3000m)	20°C (68°F)

Custom options

Overview

Shafts

Standard dimensions are shown in the Dimensions section. The following opposite drive end standard double-end shafts are available as custom built motors. Shaft dimensions not shown should be referred to your Siemens Representative for quotation.



Double-End Shafts, Standard Steel – Drive End Standard – Opposite Drive End as Follows

Frame	FU	Key	Order Code - M53			Order Code - M52		
			NEMA Standard Short Shaft			NEMA Standard Long Shaft		
			FN-FW	FV	Key Length	FN-FW	FV	Key Length
143-145T	0.625	0.188	-	-	-	162	1.38	0.91
182-184T	0.875	0.188	-	-	-	2.25	2.00	1.41
213-215T	1.125	0.25-0.25	-	-	-	2.75	2.50	1.75
254-156T	1.375	.312-.312	-	-	-	3.37	3.12	2.37
284-286T	1.625	.375-.375	3.25	3	1.87	4	3.75	2.87
324-326T	1.875	.50-.50	3.75	3.50	2	4.62	4.37	3.25
364-365T	1.875	.50-.50	3.75	3.50	2	4.62	4.37	3.25
404-405T	2.125	.50-.50	4.25	4	2.75	5.25	5	3.87
444-449T	2.375	.625-.625	4.75	4.50	3	5.87	5.62	4.25

Testing

Complete Test

Complete test consists of the following items tested in accordance with NEMA and IEEE-112 test standards.

- Full Load Heat Run
- Temperature Rise at F.L.
- Winding Resistance
- Rated F.L. Slip
- No Load Current
- Breakdown Torque
- Locked Rotor Torque-Amps
- High Potential Tests
- Efficiencies @ 100, 75, 50 Percent Load
- Power Factor @ 100, 75, 50 Percent Load

Test report of complete test is based on IEEE Std. Form A-2 and includes complete nameplate information.

Calibration Tests

Calibration test consists of 0-125% rated load test measurement of speed, torque, current, power factor and efficiency, at rated voltage. Data is curve rated voltage. Data is curve plotted, on Siemens standard format. Foot mounted motors only.

Special Tests

For tests or reporting format other than those listed below, contact Siemens with complete specification, for price additions.

Customers will be notified approximately 2 weeks before witnessed testing.

Refer to Siemens for prices of test reports for adjustable speed drives.

Multispeed motor test reports are priced based upon the number of speeds tested.

List prices are at the following percentage of the single speed price:
One speed tested 100% Two speeds tested 150%

Pricing: Five copies of each test report are provided on 8.5" x 11" paper suitable for reproduction.

Additional copies are available for \$55 List per copy.

Vertical Jacking Provisions

This option is provided on foot mounted motors only. It is used to assist the installer in proper alignment of the motor shaft with the driven piece of equipment for shimming purposes. Siemens will provide the tapped hole (one per foot), four per motor. A 1/2-13 UNC threaded hole will be provided on 280T frame, a 3/4-10 UNC threaded hole on 320T-360T and a 7/8-14 UNF threaded hole on 400T-440T frames. The customer is responsible for providing the bolts.

Custom options

Selection and pricing

Voltage		* 12 & 13	GP100A	GP100	SD100	SD100 IEEEB41	XP100	XP100 ID1	SD10 MS	RGZESDI	RGZVILESD
Single Voltage	230V	11	140-250	HP 1-75	HP 1-20	–	HP 1-20	HP 1-20	–	–	HP 1-20
	460V	12	140-250	HP 1-75 Std. HP >75	HP 1-20 Std. HP>20	Std	HP 1-20 Std. HP>100	HP 1-20 Std. HP>100	Std	Std	HP 1-20 Std.
	575V	13	140-250	140-440	140-5440	140-5440	140-440	140-440	140-440	–	140-440
	208-230V/460V	14	Std	–	Std 140-250	–	Std 140-250	Std 140-250	–	–	–
	230/460V	16	140-250	Std. HP 1-75	140-250	–	Std. HP 25-100	Std. HP 25-100	–	–	Std HP 1-20
Part Winding Start	200V 60HZ	20	–	–	–	–	–	–	–	280-360	280-360
	230V 60HZ	21	–	–	–	–	–	–	–	280-360	280-360
	460V 60HZ	22	–	–	280-5440	280-5440	–	–	–	280-5440	280-440
	575V 60HZ	23	–	–	280-5440	280-5440	–	–	–	280-5440	280-440
Wye Start - Delta Run	200V 60HZ	30	–	280-360	280-360	280-360	280-360	280-360	–	280-360	280-360
	230V 60Hz	31	–	280-360	280-360	280-360	280-360	280-360	–	280-360	280-360
	460V 60Hz	32	–	280-440	280-5440	280-5440	280-440	280-440	–	280-5440	280-440
	575V 60HZ	33	–	280-440	280-5440	280-5440	280-440	280-440	–	280-5440	280-440
Special Voltage	200-600V	90	140-250	140-440	140-5440	140-5440	140-440	140-440	140-5440	140-5440	
Flanges and Bearing Housing		* 14	GP100A	GP100	SD100	SD100 IEEEB41	XP100	XP100 ID1	SD10 MS	RGZESDI	RGZVILESD
Foot Mounted	End shield	A	Std	Std	Std	Std	Std	Std	Std	Std	–
	C - Face ¹⁾	E	140-250	140-440	140-5440	140-5440	140-440	140-440	140-440	140-440	–
	D - Flange	F	140-250	140-440	140-440	140-250	–	–	140-440	140-440	–
	C - Face w/drip cover	N	140-250	140-440	140-440	140-440	140-440	140-440	140-440	140-440	–
	D - Flange w/drip cover	P	140-250	140-440	140-440	140-440	–	–	140-440	140-440	–
Round Body	C - Face	G	140-250	140-250	140-250	140-440	140-250	140-250	140-250	140-250	–
	D - Flange	H	140-250	140-250	140-250	140-440	–	–	140-250	140-250	–
	C - Face w/drip cover	L	140-250	140-250	140-250	140-440	140-440	140-440	140-250	140-250	–
	D - Flange w/drip cover	M	140-250	140-250	140-440	140-440	–	–	140-250	140-250	–
	P - Flange w/drip cover	T	–	–	–	–	–	–	–	–	Std. 140-440
Protection		* 15	GP100A	GP100	SD100	SD100 IEEEB41	XP100	XP100 ID1	SD10 MS	RGZESDI	RGZVILESD
PTC Thermistors	3 embedded, 1 per phase	B	–	140-440	140-5440	140-5440	140-440	140-440	140-440	140-5440	140-440
PTC Thermistors	6 embedded, 2 per phase	C	–	140-440	140-5440	140-5440	140-440	140-440	140-440	140-5440	140-440
KTY84-130	2 embedded	F	–	140-440	140-5440	140-5440	140-440	140-440	140-440	140-5440	140-440
Thermostats Klix Type	Normally closed 1 x phase	G	–	140-140	140-5440	140-5440	Std	–	140-440	140-5440	140-440
Thermocouples	Coil head	J	–	360-440	360-5440	360-5440	–	–	140-440	140-5440	140-440
Stator RTDs 100 Ω, 1 x Phase	Inc. Aux. Box opp. to main box & Terminal strip	K	–	360-440	360-5440	360-5440	–	–	140-440	140-5440	140-440
Mounting		* 16	GP100A	GP100	SD100	SD100 IEEEB41	XP100	XP100 ID1	SD10 MS	RGZESDI	RGZVILESD
Horizontal T. box top	F-3	0	140-250	–	–	–	–	–	–	–	–
Ceiling Mount - T. Box LHS	C-2	1	140-250	140-440	140-5440	140-5440	140-440	140-440	140-440	140-5440	–
Horizontal - T. box RHS	F-2	2	140-250	140-440	140-440	140-440	140-440	140-440	140-440	–	–
Horizontal - T. Box LHS	F-1	3	Std	Std	Std	Std	Std	Std	Std	Std	Std
Vertical, Shaft down, T. Box RHS	W-6	4	–	140-440	140-5440	140-5440	140-440	140-440	440	140-5440	–
Vertical, Shaft down, T. Box LHS	W-7	5	–	140-440	140-5440	140-5440	140-440	140-440	440	140-5440	–
Vertical, Shaft up, T. Box LHS	W-5	6	140-250	140-440	140-440	140-440	140-440	140-440	140-440	–	–
Vertical, Shaft up, T. Box RHS	W-8	7	140-250	140-440	140-5440	140-440	140-440	140-440	140-440	140-5440	–
Ceiling Mount - T. Box RHS	C-1	8	140-250	140-440	140-440	140-440	140-440	140-440	140-440	–	–
Wall Mount (Additional code R1A required)	W-1	9-R1A	140-250	140-440	140-440	140-440	140-440	140-440	140-440	–	–
Wall Mount (Additional code R2A required)	W-2	9-R2A	140-250	140-440	140-5440	140-440	140-440	140-440	140-440	140-440	–
Wall Mount (Additional code R3A required)	W-3	9-R3A	140-250	140-440	140-5440	140-5440	140-440	140-440	140-440	140-440	–
Wall Mount (Additional code R4A required)	W-4	9-R4A	140-250	140-440	140-440	140-5440	140-440	140-440	140-440	140-440	–

* Position to be replaced in the part number by the chosen number or letter.
 1) C-Face with feet for 440 frames, only available with ball bearings.

Prices and Specifications are subject to change without notice.
 Std = Standard, cf = consult factory, nc = no additional cost.

Introduction
 General Purpose Motors
 Severe Duty Motors
 Hazardous Duty Motors
 Definite Purpose Motors
 Custom Options Detail
 Typical Performance Data
 General Dimensions
 Part Number Index

Custom options

Selection and pricing

			List Price \$									
Voltage		* 12 & 13	140	180	210	250	280	320	360	400	440	S440
Single Voltage	230V	11	123	123	138	159	161	161	191	191	-	-
	460V	12	123	123	138	159	161	161	191	191	-	-
	575V	13	nc	nc	nc	nc	nc	nc	nc	nc	nc	nc
	208-230V/460V 230/460V	14 16	Std 119	Std 119	Std 133	Std 154	-	-	-	-	-	-
Part Winding Start	200V 60Hz	20	-	-	-	-	178	216	316	-	-	-
	230V 60HZ	21	-	-	-	-	178	216	316	-	-	-
	460V 60HZ	22	-	-	-	-	165	200	294	461	767	768
	575V 60HZ	23	-	-	-	-	165	200	294	461	767	768
Wye Start - Delta Run	200V 60Hz	30	-	-	-	-	155	188	276	-	-	-
	230V 60Hz	31	-	-	-	-	155	188	276	-	-	-
	460V 60Hz	32	-	-	-	-	155	188	276	433	750	768
	575V 60Hz	33	-	-	-	-	155	188	276	433	720	768
Special Voltage	200-600V	90	120	120	120	166	200	482	546	714	1187	1486
Flanges and Bearing Housing		* 14	140	180	210	250	280	320	360	400	440	S440
Foot Mounted	End shield	A	-	-	-	-	-	-	-	-	-	-
	C - Face 1)	E	206	249	283	625	870	941	1016	1261	1493	cf
	D - Flange	F	284	361	396	774	cf	cf	cf	cf	cf	-
	C - Face w/drip cover	N	360	403	438	794	1035	1236	1615	2099	3043	cf
	D - Flange w/drip cover	P	442	519	555	948	cf	cf	cf	cf	cf	-
Round Body	C - Face	G	226	282	316	676	cf	cf	cf	cf	cf	-
	D - Flange	H	302	396	428	809	cf	cf	cf	cf	cf	-
	C - Face w/drip cover	L	378	434	469	840	cf	cf	cf	cf	cf	cf
	D - Flange w/drip cover	M	527	637	661	1049	cf	cf	cf	cf	cf	-
Protection		* 15	140	180	210	250	280	320	360	400	440	S440
Without thermal protection		A	nc	nc	nc	nc	nc	nc	nc	nc	nc	nc
PTC Thermistors	3 embedded, 1 per phase	B	634	634	634	634	634	634	634	634	634	645
PTC Thermistors	6 embedded, 2 per phase	C	1268	1268	1268	1268	1268	1268	1268	1268	1268	1290
KTY84-130	2 embedded	F	981	981	981	981	981	981	981	981	981	998
Thermostats Klixon Type	Normally closed 1 x phase	G	229	229	229	229	229	306	306	459	566	561
Thermocouples	Coil head	J	-	-	-	-	-	-	1814	1814	1814	1887
Stator RTDs 100 Ω, 1 x phase	Includes Aux. Box opp. to Main box and Terminal strip	K	-	-	-	-	-	-	3053	3053	3053	3175
Mounting		* 16	140	180	210	250	280	320	360	400	440	S440
Horizontal - T. box top	F3	0	125	125	125	125	-	-	-	-	-	-
Ceiling Mount - T. Box LHS	C-2	1	133	133	133	133	134	134	134	134	134	137
Horizontal - T. box RHS	F-2	2	283	283	283	283	284	284	284	284	284	294
Horizontal - T. Box LHS	F-1	3	-	-	-	-	-	-	-	-	-	-
Vertical Shaft Down, T. Box RHS	W-6	4	191	191	191	191	191	191	191	191	202	212
Vertical Shaft Down, T. Box LHS	W-7	5	272	272	272	272	272	272	272	272	288	303
Vertical, Shaft up, T. Box LHS	W-5	6	283	283	283	283	284	284	284	284	284	-
Vertical, Shaft up, T. Box RHS	W-8	7	130	130	130	130	131	131	131	131	130	130
Ceiling Mount - T. Box RHS	C-1	8	283	283	283	283	284	284	284	284	284	-
Wall Mount (Additional code R1A required)	W-1	9-R1A	283	283	283	283	284	284	284	284	284	-
Wall Mount (Additional code R2A required)	W-2	9-R2A	129	129	129	129	130	130	130	130	130	132
Wall Mount (Additional code R3A required)	W-3	9-R3A	288	288	288	288	289	289	289	289	289	294
Wall Mount (Additional code R4A required)	W-4	9-R4A	127	127	127	127	128	128	128	128	128	132

Position to be replaced in the part number by the chosen number or letter.

1) C-Face with feet for 440 frames, only available with ball bearings.

Prices and Specifications are subject to change without notice.

Custom options

Selection and pricing

Bearings and Lubrication		Code	GP100A	GP100	SD100	SD100 IEEE841	XP100	XP100 ID1	SD10 MS	RGZESDI	RGZVILESD
Special Grease	Mobil 28	L57	–	140-440	140-S440	140-S440	140-440	140-440	140-S440	140-440	140-440
	Mobilith SHC 100	L58	–	140-440	140-S440	140-S440	140-440	140-440	140-440	140-S440	140-440
Grease Fitting	Pressure relief	L60	–	280-440	140-S440	Std	–	–	140-440	140-440	140-440
Roller Bearings	In lieu of ball bearings	L65	–	–	280-400	280-400	280-400	280-400	280-400	280-400	–
Insulated Bearing	Both ends	L66	–	–	–	–	–	–	280-400	280-S440	–
	Only on opposite Drive End	L67	–	–	–	–	–	–	280-400	280-S440	–
Ball Bearings	Sealed (except 2 pole, 360+ frames)	L68	–	140-440	140-S440	140-S440	140-440	140-440	140-440	140-S440	–
Bearing (thermal Protect)	100Ω RTDs both ends Connection head and Terminal block	A51	–	440-440	400-S440	400-S440	–	–	400-440	400-S440	400-440
Shaft and Seals		Code	GP100A	GP100	SD100	SD100 IEEE841	XP100	XP100 IDI	SD10 MS	RGZESDI	RGZVILESD
Carb Steel	(C4140)	M57	–	–	400-S440	400-S440	–	–	400-440	400-S440	400-440
Special shaft	Drive End	Y50	–	140-440	140-S440	140-S440	140-440	140-440	140-440	140-S440	140-440
Special shaft	Opposite Drive End	Y51	–	–	140-S440	140-S440	140-440	140-440	140-440	140-S440	–
NEMA Std. Short Shaft	Opposite Drive End	M53	–	140-250	140-S440	140-S440	140-440	140-440	140-440	140-S440	–
NEMA Std. Lg Shaft	Opposite Drive End	M52	–	140-250	140-S440	140-S440	140-440	140-440	140-440	140-S440	–
Shaft Grounding Brush		L29	–	–	–	–	–	–	–	280-440	–
Slinger & O Ring	(4, 6, 8 Pole only)	L76	–	250-440	140-S440	140-S440	–	–	140-440	–	140-440
Inpro Seal	Drive End	L79	–	140-440	140-S440	–	–	–	–	–	–
Inpro Seal	Opposite Drive End	L80	–	–	140-S440	–	–	–	–	–	–
Inpro Seal	Both ends	L81	–	–	140-S440	Std	–	–	–	–	–
Brass Seal		L84	–	–	0	0	140-400	–	–	–	–
Coupling	Customer supplied	H10	–	140-440	140-S440	140-S440	140-440	140-440	140-440	140-S440	140-440
Terminal Box ¹⁾		Code	GP100A	GP100	SD100	SD100 IEEE841	XP100	XP100 ID1	SD10 MS	RGZESDI	RGZVILESD
Maint Terminal Box	Cast Iron in lieu of Aluminum	L01	–	140-400	Std	Std	Std	Std	Std	Std	Std
	Orientation 90° CCW	J84	–	140-440	140-S440	140-S440	140-440	140-440	140-440	140-S440	140-440
	Orientation 180° CCW	J85	–	140-440	140-S440	140-S440	140-440	140-440	140-440	140-S440	140-440
	Orientation 270° CCW	J86	–	140-440	140-S440	140-S440	140-440	140-440	140-440	140-S440	140-440
Condulet	Same side Main Terminal Box	JX0	–	280-440	280-S440	280-S440	–	–	280-440	–	–
	To main Terminal Box	JX2	–	140-440	140-S440	140-S440	–	–	140-440	140-S440	140-440
	Opposite to Main Terminal Box	JX4	–	180-440	180-S440	180-S440	–	–	180-440	–	–
Auxiliary box	To main Terminal Box	JX3	–	280-440	280-S440	280-S440	–	–	280-440	–	–
	Opposite to Main Terminal box	JX5	–	280-440	280-S440	280-S440	–	–	280-440	280-S440	280-440
Explosion Proof Codulet	Opposite to Main Terminal box	JX6	–	–	–	–	280-440	280-440	–	–	–
Terminal Block	Brundy Hydent YA Type	K80	140-250	140-440	140-S440	140-S440	140-440	140-440	140-440	140-S440	140-440
	Terminal Block - 3 lead only	K83	–	140-280	140-360	140-360	–	–	140-360	140-360	140-360
Leads	Sealed Leads ²⁾	K89	–	140-440	140-S440	140-S440	–	–	140-440	140-S440	140-440
	Special Cable Length	Y85	–	140-440	140-S440	140-S440	–	–	140-400	140-S440	140-440

1) Condulet or auxiliary box to main only available for GP motors when ordered when ordered with Cast Iron Terminal Box.

2) Only for single voltage

Prices and Specifications are subject to change without notice.

Custom options

Selection and pricing

			List Price \$									
Bearings and Lubrication		Code	140	180	210	250	280	320	360	400	440	S440
Special Grease	Mobil 28	L57	485	895	895	895	895	1230	1230	1640	1640	1669
	Mobilith SHC 100	L58	336	336	336	336	336	634	634	634	634	645
Grease Fitting	Pressure relief	L60	186	186	186	186	186	186	186	186	186	189
Roller Bearings	In lieu of ball bearings	L65	–	–	–	–	1215	1215	1215	1215	Std	Std
Insulated Bearing	Both ends	L66	–	–	–	–	2496	2961	3523	7645	11767	11843
	Only on opposite Drive End	L67	–	–	–	–	1252	1484	1761	3823	5884	8343
Ball Bearings	Sealed (except 2 pole, 360+ frames)	L68	229	229	229	458	458	458	572	916	916	1207
Bearing Thermal Protection	100Q RTDs both ends Connection head and Terminal block	A51	–	–	–	–	–	–	–	3347	3347	3338
Shafts and Seals		Code	140	180	210	250	280	320	360	400	440	S440
Carb Steel	(C4140)	M57	–	–	–	–	–	–	–	4667	5004	5106
Special shaft	Drive End	Y50	cf	cf	cf	cf	cf	cf	cf	cf	cf	cf
	Opposite Drive End	Y51	cf	cf	cf	cf	cf	cf	cf	cf	cf	cf
NEMA Std. Short Shaft	Opposite Drive End	M53	132	132	132	176	272	392	443	490	542	558
NEMA Std. Lg Shaft	Opposite Drive End	M52	133	133	133	179	272	392	443	490	555	558
Shaft Grounding Brush		L29	–	–	–	–	3092	3092	3092	3092	3092	–
Slinger & O Ring	(4, 6, 8 Pole only)	L76	88	88	88	121	121	164	164	207	207	213
Inpro Seal	Drive End	L79	489	489	510	595	616	649	744	914	999	1044
	Opposite Drive End	L80	511	511	533	622	644	678	778	955	1044	1044
	Both Ends	L81	1021	1021	1066	1244	1289	1356	1556	1911	2088	2088
Brass Seal		L84	133	133	133	133	133	133	133	133	133	–
Coupling	Customer Supplied	H10	485	485	485	485	485	485	716	716	716	728
Terminal Box ¹⁾		Code	140	180	210	250	280	320	360	400	440	S440
Maint Terminal Box	Cast Iron in lieu of Aluminum	L01	148	154	161	167	180	199	218	251	–	–
	Orientation 90° CCW	J84	134	134	134	134	134	134	134	134	134	137
	Orientation 180° CCW	J85	134	134	134	134	134	134	134	134	134	137
	Orientation 270° CCW	J86	134	134	134	134	134	134	134	134	134	137
Condulet	Same side Main Terminal Box	JX0	–	–	–	–	235	235	235	235	235	243
	To main Terminal Box	JX2	251	251	251	251	251	251	251	251	251	251
	Opposite to Main Terminal box	JX4	235	235	235	235	235	235	235	235	235	235
Auxiliary box	To Main Terminal Box	JX3	–	–	–	–	415	415	415	415	415	415
	Opposite to Main Terminal box	JX5	–	–	–	–	443	443	443	443	443	443
Explosion Proof Condulet	Opposite to Main Terminal box	JX6	–	–	–	–	560	560	560	560	560	–
Terminal Block	Burndy Hydent YA Type	K80	170	170	170	170	171	171	171	171	171	175
Leads	Special Cable Length	K85	–	–	–	–	–	–	–	–	–	–
	Special Leads ²⁾	K89	cf	cf	cf	cf	cf	cf	cf	cf	cf	cf
	Special Cable Length	Y85	228	228	228	228	228	228	304	304	304	304

1) Condulet or auxiliary box to main only available for GP motors when ordered when ordered with Cast Iron Terminal Box.

2) Only for single voltage

Prices and Specifications are subject to change without notice.

Custom options

Selection and pricing

Frame		Code	GP100A	GP100	SD100	SD100 IEEE841	XP100	XP100 ID1	SD10 MS	RGZESDI	RGZVILESD
Rotational Arrow	Bidirectional (not for unidirectional)	K70	140-250	140-440	140-S440	140-S440	140-440	140-440	140-440	140-S440	140-440
	Clockwise	K71	140-250	140-440	140-S440	140-S440	140-440	140-440	140-440	140-S440	140-440
	Counterclockwise	K72	140-250	140-440	140-S440	140-S440	140-440	140-440	140-440	140-S440	140-440
Hardware	Stainless Steel (Includes T Drain SS)	L22	-	140-440	140-S440	Std	-	-	140-440	140-S440	140-440
Lifting Eyebolt		L20	Std.	140	140	Std	140	140	140	140-180	-
Grounding (Frame)	Provision (tapped hole w/bolt)	L27	-	140-440	140-S440	140-S440	140-440	140-440	140-440	140-S440	140-440
Drain Plugs	T Drain SS	L45	-	140-440	140-S440	140-S440	-	-	140-440	140-S440	-
	Crouse Hinds UL Approved	L46	-	-	280-S440	280-S440	280-360 Std 440	280-440	280-440	280-S440	-
Fan	Bronze	M10	-	140-440	140-S440	140-S440	-	-	140-440	140-S440	140-440
Nameplates	Add'l nameplate same information	M21	140-250	140-440	140-S440	140-S440	140-440	140-440	140-440	140-S440	140-440
	Div 2 nameplate	M22	-	-	140-S440	140-S440	-	-	140-440	140-S440	140-440
	Derate - Service Factor, Altitude &/or Ambient Temp	Y80	-	-	140-S440	140-S440	140-440	140-440	140-440	140-S440	140-440
	Auxiliary Nameplate Max 40 Char.	Y82	140-440	140-440	140-S440	140-S440	140-440	140-440	140-440	140-S440	140-440
Vertical Jacking	Provisions	M39	-	280-440	280-S440	280-S440	280-440	280-440	280-440	280-S440	Std
Winding		Code	GP100A	GP100	SD100	SD100 IEEE841	XP100	XP100 ID1	SD10 MS	RGZESDI	RGZVILESD
Insulation	Class H ¹⁾	C00	-	140-440	140-S440	140-S440	140-440	140-440	140-440	140-S440	140-440
	Vacuum Pressure Impregnation (VPI)	C01	-	140-440	140-S440	140-S440	140-440	140-440	140-440	140-S440	140-440
	Moisture/Powerhouse (extra dip & bake)	C04	-	140-440	140-S440	140-S440	Std	Std	Std	140-S440	140-440
	Fungus Protection	C07	-	140-440	140-S440	Std	140-440	140-440	140-440	140-S440	140-440
	Tropicalization Moisture (extra dip & bake)	C08	-	140-440	140-S440	140-S440	-	-	140-440	140-S440	-
Space Heaters	115V Single Phase	A40	-	-	140-S440	140-S440	-	-	140-440	-	140-440
	230V Single Phase	A41	-	-	140-S440	140-S440	-	-	140-440	-	140-440
	115V Single Phase Division 2	A42	-	-	140-S440	140-S440	-	-	140-440	-	140-440
	230V Single Phase Division 2	A44	-	-	140-S440	140-S440	-	-	140-440	-	140-440
Space Heaters EX	115V Single Phase Explosion Proof	A43	-	-	-	-	140-440	140-440	-	-	-
	230V Single Phase Explosion Proof	A45	-	-	-	-	140-440	140-440	-	-	-
Paint and Others		Code	GP100A	GP100	SD100	SD100 IEEE841	XP100	XP100 ID1	SD10 MS	RGZESDI	RGZVILESD
Special Paint	2 Part Epoxy	N01	-	140-440	140-S440	140-S440	-	-	140-440	140-S440	-
	3 Part Epoxy	N02	-	-	140-S440	140-S440	140-440	140-440	140-440	140-S440	-
Standard Prime	Only	N03	140-250	140-440	140-S440	140-S440	-	-	140-440	140-S440	-
Special Paint	2 part Epoxy (Ameron System)	N04	-	-	140-S440	140-S440	-	-	140-440	140-S440	-
Standard Paint	Special Color	Y60	140-250	140-440	140-S440	140-S440	140-440	140-440	140-440	140-S440	-
Special Paint	Special Color	Y61*	-	-	-	-	-	-	-	-	-
Balance	Precision	M69	-	140-440	140-S440	Std	140-440	140-440	140-440	140-S440	-
	Extra Precision	M70	-	140-440	140-S440	140-S440	140-440	140-440	140-440	140-S440	-
Vibration Detectors	Robert Shaw malfunction detector	A66	-	-	280-S440	280-S440	280-440	280-440	280-440	280-S440	280-440
	Provision for sensors (RMC/Beta)	A67	-	-	280-S440	280-S440	-	-	-	280-S440	280-440
Packaging	Sea freight - Siemens Standard	B09	140-250	140-440	140-S440	140-S440	140-440	140-440	140-440	140-S440	140-440
	Special	B10	140-250	140-440	140-S440	140-S440	140-440	140-440	140-440	140-S440	140-440

1) Lead cable and thermal protectors leads are insulation class F.
K71, K72: Viewed from the ODE.

Prices and Specifications are subject to change without notice.

Custom options

Selection and pricing

			List Price \$										
Frame		Code	140	180	210	250	280	320	360	400	440	S440	
Rotational Arrow	Bidirectional (not for uni-directional)	K70	141	141	141	141	142	142	142	142	142	144	
	Clockwise	K71	141	141	141	141	142	142	142	142	142	144	
	Counterclockwise	K72	141	141	14	141	142	142	142	142	142	144	
Hardware	Stainless steel (Includes T Drain SS)	L22	203	203	203	203	203	251	308	380	468	641	
Lifting eyebolt		L20	43	43	Std	Std	Std	Std	Std	Std	Std	Std	
Grounding (Frame)	Provision (tapped hole w/bolt)	L27	142	142	142	164	164	186	186	186	261	266	
Drain Plugs	T Drain SS	L45	161	161	161	234	234	237	307	307	307	319	
	Crouse-Hinds UL Approved	L46	-	-	-	-	353	353	353	353	353	364	
Fan	Bronze	M10	546	546	706	752	941	1137	1190	1325	1830	1593	
Nameplates	Additional nameplate (replica of original)	M21	163	163	163	163	164	164	164	164	164	167	
	Division 2 nameplate	M22	322	322	322	322	322	322	322	322	322	322	
	Derate- Service Factor Altitude &/or Ambient temperature	Y80	161	161	161	161	164	164	164	164	164	167	
	Auxiliary nameplate Max. 40 Characters	Y82	161	161	161	161	164	164	164	164	164	167	
Vertical Jacking	Provisions	M39	-	-	-	-	867	867	867	867	867	910	
Winding			Code	140	180	210	250	280	320	360	400	440	S440
Insulation	Class H 1)	C00	122	122	122	157	261	343	438	634	904	2387	
	Vacuum Pressure Impregnation (VP)	C01	1670	1670	1670	1670	2147	2147	2714	3430	3728	5463	
	Moisture/Powerhouse (extra dip & bake)	C04	160	160	160	208	345	447	567	798	1877	1873	
	Fungus Protection	C07	212	212	212	310	310	537	537	537	537	546	
	Tropicalization Moisture (extra dip & bake)	C08	214	214	214	277	459	593	746	1036	1406	2319	
Space Heaters	115V Single Phase	A40	352	352	352	352	528	528	528	612	612	599	
	230V Single Phase	A41	352	352	352	352	528	528	528	612	612	599	
	115V Single Phase Division 2	A42	455	455	455	455	679	679	816	997	1181	1259	
	230V Single Phase Division 2	A44	455	455	455	455	679	679	816	997	1181	1259	
Space Heaters EX	115V Single Phase Explosion Proof	A43	409	409	409	409	611	611	734	897	1062	-	
	230V Single Phase Explosion Proof	A45	409	409	409	409	611	611	734	897	1062	-	
Paint and Others			Code	140	180	210	250	280	320	360	400	440	S440
Special Paint	2 part Epoxy	N01	2744	2744	2744	2744	2744	2744	2744	2744	2744	2845	
	3 Part Epoxy	N02	2761	2761	2761	2761	2761	2761	2761	2761	2761	2845	
Standard Prime	Only	N03	558	558	558	558	563	563	563	563	563	584	
Special Paint	2 Part Epoxy (Ameron System)	N04	5655	5655	5655	5655	5655	5655	5655	5655	5655	5690	
Standard Paint	Special Color	Y60	554	554	554	554	557	557	557	557	557	584	
Balance	Precision	M69	190	190	190	218	218	248	248	313	313	610	
	Extra Precision	M70	312	312	330	330	376	376	506	506	651	683	
Vibration Detectors	Robert Shaw malfunction detector Model 366 D8 120 VAC	A66	-	-	-	-	4216	4216	4216	5170	5170	4932	
	Provision for sensors (PMC/Beta)	A67	-	-	-	-	3778	3778	3778	4574	4574	4363	
Packaging	Sea freight - Siemens Standard	B09	333	333	333	333	761	1133	1133	1506	1506	1533	
	Special	B10	cf	cf	cf	cf	cf	cf	cf	cf	cf	cf	

1) Lead cable and thermal protectors leads are insulation class F.
K71, K72: Viewed from the ODE.

Prices and Specifications are subject to change without notice.

Custom options

Selection and pricing

Software		Code	GP100A	GP100	SD100	SD100 IEEEE841	XP100	XP100 ID1	SD10 MS	RGZESDI	RGZVILESD
Software	Documentation in Spanish	D05	140-250	140-440	140-S440	140-S440	140-440	140-440	140-440	140-S440	140-440
	Certification of Compliance	F00	140-250	140-440	140-S440	140-S440	140-440	140-440	140-440	140-S440	140-440
	Standard Date Transmittal	F40	140-250	140-440	140-S440	140-S440	140-440	140-440	140-440	140-S440	140-440
	Standard Dimension Sheet	F42	140-250	140-440	140-S440	140-S440	140-440	140-440	140-440	140-S440	140-440
	Conduit Box Dimension Sheet	F44	140-250	140-440	140-S440	140-S440	140-440	140-440	140-440	140-S440	140-440
	Wiring Diagram	F45	140-250	140-440	140-S440	140-S440	140-440	140-440	140-440	140-S440	140-440
	IOM	F46	140-250	140-440	140-S440	140-S440	140-440	140-440	140-440	140-S440	140-440
	Renewal Parts	F47	140-250	140-440	140-S440	140-S440	140-440	140-440	140-440	140-S440	140-440
	Performance Data Sheets	F49	140-250	140-440	140-S440	140-S440	140-440	140-440	140-440	140-S440	140-440
	Typical Data	F03	140-250	140-440	140-S440	140-S440	140-440	140-440	140-440	140-S440	140-440
	Nonstandard Dimension Sheet	F43	140-250	140-440	140-S440	140-S440	140-440	140-440	140-440	140-S440	140-440
	Customer Specific Data Sheets	F50	140-250	140-440	140-S440	140-S440	140-440	140-440	140-440	140-S440	140-440
Special Calculated Date	F07	140-250	140-440	140-S440	140-S440	140-440	140-440	140-440	140-S440	140-440	
Tests		Code	GP100A	GP100	SD100	SD100 IEEEE841	XP100	XP100 ID1	SD10 MS	RGZESDI	RGZVILESD
Test	Routine Test Report	F10	140-250	140-440	140-S440	140-S440	140-440	140-440	140-440	140-S440	140-440
	Routine Test Report (Witnessed)	F12	140-250	140-440	140-S440	140-S440	140-440	140-440	140-440	140-S440	140-440
	Complete Test	F15	140-250	140-440	140-S440	140-S440	140-440	140-440	140-440	140-S440	140-440
	Complete Test (Witnessed)	F17	140-250	140-440	140-S440	140-S440	140-440	140-440	140-440	140-S440	140-440
	Calibration Test	F27	140-250	140-440	140-S440	140-S440	140-440	140-440	140-440	140-S440	140-440
	Electrical Duplicate (Routine Test)	F36	140-250	140-440	140-S440	140-S440	140-440	140-440	140-440	140-S440	140-440
	Electrical Duplicate (Complete Test)	F37	140-250	140-440	140-S440	140-S440	140-440	140-440	140-440	140-S440	140-440
	Routine Test + Vibration	F20	140-250	140-440	140-S440	140-S440	140-440	140-440	140-440	140-S440	140-440
	Routine Text + Vibration (Witnessed)	F22	140-250	140-440	140-S440	140-S440	140-440	140-440	140-440	140-S440	140-440
Encoders		Code	GP100A	GP100	SD100	SD100 IEEEE841	XP100	XP100 ID1	SD10 MS	RGZESDI	RGZVILESD
Encoder, Single Output	Avtron M3 102 PPR	G00	-	-	-	-	-	-	-	140-360	-
	Avtron M4 1024 PPR	G01	-	-	-	-	-	-	-	400-S440	-
	Avtron M56 1024 PPR	G02	-	-	-	-	-	-	-	140-180	-
	Avtron M85 1024 PPR	G03	-	-	-	-	-	-	-	210-S440	-
	ERI HS35 1024 PPR	G04	-	-	-	-	-	-	-	140-S440	-
	Dynapar HS35 1024 PPR	G05	-	-	-	-	-	-	-	140-S440	-
	Northstar 8500 1024 PPR	G06	-	-	-	-	-	-	-	210-360	-
	Northstar 8500 1024 PPR	G07	-	-	-	-	-	-	-	140-S440	-
	Northstar SL56 1024 PPR	G08	-	-	-	-	-	-	-	140-180	-
	Avtron HS35A	G09	-	-	-	-	-	-	-	140-360	-
	Avtron M6 1024 PPR	G10	-	-	-	-	-	-	-	140-S440	-
Special	Y75	-	-	-	-	-	-	-	140-S440	-	

Prices and Specifications are subject to change without notice.

Custom options

Selection and pricing

		List Price \$										
Software		Code	140	180	210	250	280	320	360	400	440	S440
Software	Documentation in Spanish	D05	nc	nc	nc	nc	nc	nc	nc	nc	nc	nc
	Certification of Compliance	F00	296	296	296	296	299	299	299	299	299	303
	Standard Date Transmittal	F40	44	44	44	44	45	45	45	45	45	46
	Standard Dimension Sheet	F42	44	44	44	44	45	45	45	45	45	46
	Conduit Box Dimension Sheet	F44	44	44	44	44	45	45	45	45	45	46
	Wiring Diagram	F45	44	44	44	44	45	45	45	45	45	46
	IOM	F46	44	44	44	44	45	45	45	45	45	46
	Renewal Parts	F47	44	44	44	44	45	45	45	45	45	46
	Performance Data Sheets	F49	259	259	259	259	261	261	261	261	261	266
	Typical Data	F03	740	740	740	740	747	747	747	747	747	759
	Nonstandard Dimension Sheet	F43	518	518	518	518	523	523	523	523	523	531
	Customer Specific Data Sheets	F50	518	518	518	518	523	523	523	523	523	531
Special Calculated Date	F07	1184	1184	1184	1184	1195	1195	1195	1195	1195	1214	
Tests		Code	140	180	210	250	280	320	360	400	440	S440
Test	Routine Test Report	F10	296	296	296	296	299	299	299	299	299	303
	Routine Test Report (Witnessed)	F12	1628	1628	1628	1628	1643	1972	2360	2569	2778	3672
	Complete Test	F15	6749	6749	6749	6749	6812	7917	9680	11054	12010	13596
	Complete Test (Witnessed)	F17	10123	10123	10123	10123	10217	11890	14519	16581	18015	20394
	Calibration Test	F27	5062	5062	5062	5062	5109	5938	7260	8290	9007	10197
	Electrical Duplicate (Routine Test)	F36	296	296	296	296	299	299	299	299	299	303
	Electrical Duplicate (Complete Test)	F37	444	444	444	444	448	448	448	448	448	455
	Routine Test + Vibration	F20	592	592	592	592	597	597	597	597	597	607
	Routine Text + Vibration (Witnessed)	F22	3256	3256	3256	3256	3286	3286	3286	3286	3286	3338
Encoders		Code	140	180	210	250	280	320	360	400	440	S440
Encoder, Single Output	Avtron M3 1024 PPR	G00	cf	cf	cf	cf	cf	cf	cf	-	-	-
	Avtron M4 1024 PPR	G01	-	-	-	-	-	-	-	cf	cf	cf
	Avtron M56 1024 PPR	G02	cf	cf	-	-	-	-	-	-	-	-
	Avtron M85 1024 PPR	G03	-	-	cf	cf	cf	cf	cf	cf	cf	cf
	BEI HS35 1024 PPR	G04	cf	cf	cf	cf	cf	cf	cf	cf	cf	cf
	Dynapar HS35R 1024 PPR	G05	1750	1750	1750	1750	1750	1750	1750	1750	1750	1750
	Northstar 8500 1024 PPR	G06	-	-	cf	cf	cf	cf	cf	-	-	-
	Northstar 8500 1024 PPR	G07	-	-	-	-	-	-	-	cf	cf	cf
	Northstar SL56 1024 PPR	G08	cf	cf	-	-	-	-	-	-	-	-
	Avtron HS35A	G09	cf	cf	cf	cf	cf	cf	cf	-	-	-
	Avtron M6 1024 PPR	G10	-	-	-	-	-	-	-	-	-	-
	Special	Y75	-	-	-	-	-	-	-	-	-	-

Prices and Specifications are subject to change without notice.

Typical performance data

Technical notes

When NEMA Nominal F.L. Efficiency is	Then Minimum F.L. Efficiency is:
96.5	95.8
96.2	95.4
95.8	95.0
95.4	94.5
95.0	94.1
94.5	93.6
94.1	93.0
93.6	92.4
93.0	91.7
92.4	91.0
91.7	90.2
91.0	89.5
90.2	88.5
89.5	87.5
88.5	86.5
87.5	85.5
86.5	84.0
85.5	82.5
84.0	81.5
82.5	80.0
81.5	78.5
80.0	77.0
78.5	75.5
77.0	74.0
75.5	72.0
74.0	70.0

- $HP \times 0.746 = kW$
 $kW \times 1.341 = HP$
- $Torque (Lb. - Ft) = \frac{HP \times 520}{RPM}$
- $HP = \frac{Torque (Lb. - Ft) \times RPM}{5250}$
- $WK2 (Inertia - Lb. Ft.^2) \text{ at Motor Shaft} = (Load RPM \div Mtr. F.L. RPM)^2 \times Load WK2$
- Inertia (Kilogram - meter²):
 $kgm^2 \times 23.73 = Lb. Ft.^2$
 $(Lb. Ft.^2 \div 23.73 = kgm^2)$
 $(Lb. Ft.^2 \times .042 = kgm^2)$
 $GD2 (kgfm^2) \times 5.933 = Lb. Ft.^2$
- Torque (Newton - meters):
 $Nm \times .7376 = Lb. - Ft.$
 $kW \times 1.341 = HP$
- Power (Kilowatts):
 $(HP \div 1.341 = kW)$
 $(HP \times .746 = kW)$
- Temperature: $^{\circ}C = 5/9$
 $(^{\circ}F - 32)^{\circ}F = (9/5 \times ^{\circ}C) + 32$
- Typical Performance Data Notes:
To find amperes at various voltages:
 - 575 V Data = 460 V Amperes x .80
 - 230 V Data = 460 V Amperes x 2.0
 - 200 V Data = 460 V Amperes x 2.3
 (Amperes = Full Load, Locked Rotor and No Load Values - from data pages)

All other data (kVA Code, Efficiencies, Power Factors, Torques and Stall Times) remain same as 460 V Data
(winding connections can change - rarely - with voltage designs).

Typical performance data

General purpose – 460V 60HZ

GP100A / GP100

NEMA Premium®

Aluminum rotor

HP	Frame	FL RPM	Current (A)			kVA/ hp Code	Nominal Efficiency (%)				Power Factor			Torque			LR Stall Time	
			No Load	Full Load	Lckd Rotor		1/2 Load	3/4 Load	Full Load	Min. Guar.	1/2 Load	3/4 Load	Full Load	Full Load -lb-ft	Lckd Rotor - % -	Break Down - % -	Hot - sec -	Cold - sec -
1	143T	3520	1	1	12	K	79	82	83	80	65	77	81	2	175	380	12	16
1	143T	1755	1	1	13	L	83	85	86	83	58	72	78	3	295	380	18	26
1	145T	1165	1	2	11	K	80	83	83	80	50	63	71	5	260	350	18	31
2	143T	3525	1	2	19	L	80	83	84	82	64	77	84	2	270	450	14	19
2	145T	1740	1	2	19	L	86	87	87	84	59	72	77	5	330	420	15	21
2	182T	1160	1	2	15	J	85	88	88	86	48	58	67	7	205	330	34	46
2	145T	3515	1	3	23	L	84	86	86	83	69	81	88	3	250	420	13	18
2	145T	1740	2	3	24	L	86	87	87	84	58	71	77	6	320	390	14	22
2	184T	1160	2	3	20	J	88	89	89	87	47	59	66	9	240	310	23	32
3	182T	3520	2	4	30	J	84	86	87	84	70	80	86	4	185	380	20	30
3	182T	1760	2	4	33	K	88	89	90	88	60	72	79	9	235	360	17	29
3	213T	1175	3	4	32	K	88	89	90	88	52	65	73	13	265	470	23	35
5	184T	3505	2	6	46	H	88	89	89	87	78	86	88	8	170	420	15	29
5	184T	1755	3	7	46	K	89	90	90	88	64	75	81	15	220	350	14	29
5	215T	1165	5	7	46	H	90	90	90	88	59	71	78	27	220	380	14	21
8	213T	3520	3	9	63	H	90	90	90	88	79	87	89	11	180	490	17	30
8	213T	1765	5	10	63	J	91	92	92	90	61	72	79	22	270	450	25	42
8	254T	1175	5	10	63	H	91	92	91	90	58	70	77	33	165	260	26	45
10	215T	3515	4	12	81	H	91	91	90	89	82	89	90	15	180	440	14	28
10	215T	1755	6	13	81	H	92	92	92	90	64	76	82	30	270	410	20	36
10	256T	1175	6	14	81	H	91	92	91	90	61	72	76	45	165	250	18	38
10	284T	885	11	17	81	H	88	90	90	90	42	53	61	59	160	240	15	30
15	254T	3530	5	18	116	G	91	91	91	90	81	87	88	22	210	260	24	48
15	254T	1770	12	19	116	G	92	93	92	91	65	75	80	44	185	235	21	33
15	284T	1180	11	21	116	G	91	92	92	91	53	66	73	67	150	240	22	48
15	286T	885	14	23	116	G	89	91	91	90	47	59	66	89	160	240	18	35
20	256T	3515	5	23	145	G	92	92	91	90	86	91	92	30	185	230	20	45
20	256T	1770	10	25	145	H	93	93	93	92	65	76	81	60	185	240	15	33
20	286T	1180	13	27	145	G	91	92	92	91	57	69	76	89	150	240	20	45
20	324T	885	18	32	145	G	90	91	91	90	46	58	65	119	140	200	15	35
25	284TS	3525	7	29	183	G	91	92	92	91	81	86	88	37	160	250	16	30
25	284T	1775	11	30	183	G	94	94	94	93	71	80	84	74	180	250	24	44
25	324T	1185	14	33	183	G	93	93	93	92	62	72	76	111	170	240	28	54
25	326T	885	22	40	183	G	90	91	91	90	48	59	65	149	150	200	22	40
30	286TS	3530	9	34	218	G	91	92	92	91	84	89	90	45	160	250	16	30
30	286T	1775	12	35	218	G	94	94	94	93	73	82	85	89	180	250	24	44
30	326T	1185	15	39	218	G	93	94	93	92	61	73	77	133	170	220	26	52
30	364T	885	26	47	218	G	91	92	92	91	49	61	65	178	150	200	22	40

Typical performance data, not guaranteed

NEMA Premium® is a certification mark of the National Electrical Manufacturers Association.

Typical performance data

General purpose – 460V 60HZ GP100A / GP100

NEMA Premium®
Aluminum rotor

HP	Frame	FL RPM	Current (A)			kVA/ hp Code	Nominal Efficiency (%)				Power Factor			Torque			LR Stall Time	
			No Load	Full Load	Lckd Rotor		1/2 Load	3/4 Load	Full Load	Min. Guar.	1/2 Load	3/4 Load	Full Load	Full Load -lb-ft	Lcked Rotor - % -	Break Down - % -	Hot - sec -	Cold -sec-
40	324TS	3535	12	45	290	G	94	94	94	93	80	87	89	60	150	250	22	45
40	324T	1780	15	46	290	G	94	94	94	94	75	83	86	118	180	230	22	45
40	364T	1185	19	49	290	G	94	95	94	94	68	77	81	177	190	220	29	55
40	365T	885	36	63	290	G	91	92	92	N/A	49	60	65	237	150	200	25	40
50	326TS	3535	15	55	363	G	94	94	94	93	82	89	91	74	150	250	18	37
50	326T	1780	20	58	363	G	95	95	95	94	72	81	85	148	170	230	22	45
50	365T	1185	24	62	363	G	94	94	94	N/A	67	76	80	222	190	220	29	55
60	364TS	3565	19	68	435	G	94	94	94	93	80	86	88	89	160	250	16	28
60	364T	1780	21	68	435	G	95	95	95	95	77	85	87	177	180	240	26	38
60	404T	1185	28	74	435	G	94	95	95	94	65	76	80	266	180	220	25	50
75	365TS	3565	22	86	543	G	94	94	94	94	81	86	88	111	160	260	16	27
75	365T	1780	25	85	543	G	96	96	95	95	78	85	87	221	180	240	25	35
75	405T	1185	34	93	543	G	95	95	95	94	68	77	80	332	180	220	33	45
100	405TS	3570	19	108	725	G	95	95	94	94	89	91	92	147	120	200	25	45
100	405T	1780	30	113	725	G	96	96	95	95	80	86	87	295	180	200	25	35
100	444TS	1185	39	117	725	G	95	95	95	95	73	81	84	443	160	200	30	35
100	444T	1185	39	117	725	G	95	95	95	95	73	81	84	443	160	200	30	35
125	444TS	3575	32	138	908	G	95	95	95	95	84	88	89	184	120	200	18	23
125	444T	1785	45	143	908	G	95	96	95	95	78	84	86	368	160	200	20	25
125	B444T	1785	45	143	908	G	95	96	95	95	78	84	86	368	160	200	20	25
125	444TS	1785	45	143	908	G	95	96	95	95	78	84	86	368	160	200	20	25
125	445T	1185	48	144	908	G	95	95	95	95	74	82	85	554	160	200	25	35
125	445TS	1185	48	144	908	G	95	95	95	95	74	82	85	554	160	200	25	35
150	445TS	3575	37	164	1085	G	94	95	95	95	84	89	90	220	120	200	15	18
150	445T	1785	52	170	1085	G	96	96	96	95	78	84	86	441	150	200	20	30
150	445TS	1785	52	170	1085	G	96	96	96	95	78	84	86	441	150	200	20	30
150	447T	1190	59	172	1085	G	96	96	96	95	73	82	85	662	140	200	28	43
150	447TS	1190	59	172	1085	G	96	96	96	95	73	82	85	662	140	200	28	43
200	447TS	3575	44	216	1450	G	95	96	95	95	83	90	91	294	120	200	16	20
200	447T	1785	73	228	1450	G	96	97	96	96	75	83	85	588	160	200	18	25
200	447TS	1785	73	228	1450	G	96	97	96	96	75	83	85	588	160	200	18	25
200	449T	1190	73	227	1450	G	96	96	96	95	75	83	86	883	125	200	25	32
200	449TS	1190	73	227	1450	G	96	96	96	95	75	83	86	883	125	200	25	32

Typical performance data, not guaranteed

NEMA Premium® is a certification mark of the National Electrical Manufacturers Association.

Typical performance data

General purpose – 460V 60HZ
GP100A / GP100

NEMA Premium®
Copper rotor

HP	Frame	FL RPM	Current (A)			kVA/ hp Code	Nominal Efficiency (%)				Power Factor			Torque			LR Stall Time	
			No Load	Full Load	Lckd Rotor		1/2 Load	3/4 Load	Full Load	Min. Guar.	1/2 Load	3/4 Load	Full Load	Full Load -lb-ft	Lckd Rotor -% -	Break Down -% -	Hot -sec -	Cold -sec -
1	143T	3550	0.7	1.4	12	L	79.3	82.1	82.5	81.5	65.00	77.00	81.10	1.5	175	380	12	16
1	143T	1775	0.9	1.5	15	N	83.0	86.0	86.5	85.5	53.00	65.00	74.00	3.0	290	480	16	20
1	145T	1175	1.0	1.6	12	L	80.5	83.5	84.0	82.5	49.00	61.00	70.00	4.5	210	380	19	27
1.5	143T	3550	0.8	1.9	20	M	83.0	86.0	87.5	86.5	69.00	79.00	84.00	2.2	230	480	19	26
1.5	145T	1770	1.2	2.1	20	M	85.0	87.0	87.5	86.5	57.00	69.00	77.00	4.4	250	460	14	19
1.5	182T	1180	1.4	2.4	17	L	84.5	87.0	87.5	86.5	49.00	61.00	67.00	6.7	165	410	33	50
2	145T	3550	1.2	2.6	25	L	85.0	88.0	88.5	87.5	66.00	77.00	83.00	3.0	250	490	18	26
2	145T	1765	1.6	2.8	25	L	86.0	87.5	87.5	86.5	55.00	69.00	78.00	6.0	240	440	15	21
2	184T	1180	1.8	3.0	22	K	87.5	89.0	88.5	87.5	47.00	59.00	67.00	8.9	190	400	30	41
3	182T	3565	1.5	3.8	32	K	85.5	89.0	89.5	88.5	69.00	79.00	83.00	4.4	220	400	36	51
3	182T	1770	1.8	4.0	33	K	88.5	90.0	90.2	89.5	63.00	73.00	79.00	8.9	230	390	31	45
3	213T	1180	2.3	4.3	32	K	88.5	90.0	90.2	89.5	55.00	67.00	74.00	13.0	170	360	27	35
5	184T	3550	2.3	6.2	46	J	89.0	90.2	90.2	89.5	70.00	80.00	84.00	7.4	200	440	21	38
5	184T	1770	3.2	6.7	46	J	89.5	90.0	90.2	89.5	62.00	72.00	77.00	15.0	225	340	19	35
5	215T	1180	3.5	7.0	46	J	89.0	90.5	90.2	89.5	56.00	68.00	76.00	22.0	190	350	21	31
7.5	213T	3560	2.6	8.5	63	H	91.0	92.0	91.7	91.0	78.00	86.00	88.00	11.0	170	340	19	31
7.5	213T	1775	4.0	9.5	63	H	92.0	92.5	92.4	91.7	65.00	76.00	81.00	22.0	250	340	34	49
7.5	254T	1180	5.0	10.5	63	H	91.5	92.5	92.4	91.7	57.00	67.00	76.00	33.0	190	230	66	92
10	215T	3555	3.4	11.5	81	H	92.0	92.3	91.7	91.0	78.00	86.00	89.00	15.0	200	360	13	24
10	215T	1770	5.5	12.5	81	H	92.0	92.5	92.4	91.7	64.00	75.00	81.00	30.0	250	280	25	41
10	256T	1185	6.5	13.5	81	H	92.0	92.5	92.4	91.7	57.00	68.00	72.00	44.0	240	250	45	73
15	254T	3565	5.0	17.0	116	G	91.0	92.0	92.4	91.7	81.00	87.00	89.00	22.0	220	280	45	81
15	254T	1780	7.3	19.0	116	G	92.5	93.5	93.0	92.4	66.00	76.00	79.00	44.0	200	250	25	55
20	256T	3560	5.5	22.5	145	G	92.0	92.5	92.4	91.7	84.00	88.00	88.00	29.0	210	250	34	75
20	256T	1780	9.5	25.0	145	G	93.0	93.5	93.6	93.0	68.00	78.00	80.00	59.0	190	230	28	56

Typical performance data, not guaranteed

NEMA Premium® is a certification mark of the National Electrical Manufacturers Association.

Typical performance data

Severe duty – 460V 60HZ
SD100 / SD100 IEEE841

NEMA Premium®
Aluminum rotor

HP	Frame	FL RPM	Current (A)			kVA/ hp Code	Nominal Efficiency (%)				Power Factor			Torque			LR Stall Time	
			No Load	Full Load	Lckd Rotor		1/2 Load	3/4 Load	Full Load	Min. Guar.	1/2 Load	3/4 Load	Full Load	Full Load -lb-ft	Lckd Rotor - % -	Break Down - % -	Hot - sec-	Cold - sec-
1	143T	3520	0.7	1.4	12	K	79.3	82.1	82.5	80.0	65.20	77.40	81.10	1.5	175	380	12	16
1	143T	1755	0.8	1.4	13	L	83.4	85.4	85.5	82.5	58.40	71.50	78.20	3.0	295	380	18	26
1	145T	1165	1.0	1.6	11	K	80.2	82.5	82.5	80.0	50.20	63.30	70.90	4.5	260	350	18	31
1	182T	870	1.5	2.1	9	J	77.0	80.0	81.5	78.5	36.00	47.00	56.00	8.0	160	280	50	68
1.5	143T	3525	1.1	2.0	19	L	80.0	83.2	84.0	81.5	64.20	77.00	83.60	2.2	270	450	14	19
1.5	145T	1740	1.1	2.1	19	L	85.8	87.0	86.5	84.0	58.50	71.80	77.30	4.5	330	420	15	21
1.5	182T	1160	1.4	2.4	15	J	85.3	87.6	87.5	85.5	48.40	58.40	66.90	6.8	205	330	34	46
1.5	184T	865	2.3	3.0	17	H	78.5	82.0	82.5	80.0	35.00	47.00	56.00	12.0	160	280	43	63
2	145T	3515	1.2	2.5	23	L	84.0	85.7	85.5	82.5	69.00	81.30	87.60	2.9	250	420	13	18
2	145T	1740	1.5	2.8	24	L	86.0	87.2	86.5	84.0	57.80	70.80	77.30	6.0	320	390	14	22
2	184T	1160	1.9	3.2	20	J	87.5	88.7	88.5	86.5	46.50	58.80	66.10	9.1	240	310	23	32
2	213T	870	2.0	3.3	16	H	84.0	84.5	84.0	81.5	51.00	63.00	67.00	16.0	170	290	22	38
3	182T	3520	1.7	3.8	30	J	84.2	86.3	86.5	84.0	69.50	79.80	85.50	4.4	185	380	20	30
3	182T	1760	2.1	4.0	33	K	87.8	89.4	89.5	87.5	59.50	71.70	78.50	9.0	235	360	17	29
3	213T	1175	2.5	4.3	32	K	87.8	89.3	89.5	87.5	52.10	65.40	73.00	13.4	265	470	23	35
3	215T	870	3.0	4.8	25	H	85.5	86.5	85.5	82.5	45.00	59.00	68.00	24.0	175	290	19	31
5	184T	3505	2.0	6.0	46	H	88.2	89.1	88.5	86.5	78.10	85.90	88.20	7.5	170	420	15	29
5	184T	1755	3.0	6.5	46	K	89.2	90.0	89.5	87.5	63.60	75.10	80.50	15.0	220	350	14	29
5	215T	1165	4.5	6.7	46	H	89.5	90.1	89.5	87.5	59.40	71.40	78.10	26.5	220	380	14	21
5	254T	875	5.5	8.8	33	F	85.5	87.0	86.5	84.0	43.00	54.00	61.00	41.0	155	210	65	115
7.5	213T	3520	3.0	8.8	63	H	89.6	90.1	89.5	87.5	78.50	86.80	89.20	11.0	180	490	17	30
7.5	213T	1765	5.0	9.7	63	J	90.7	91.7	91.7	90.2	60.50	72.30	78.90	22.0	270	450	25	42
7.5	254T	1175	5.0	10.0	63	H	91.1	91.5	91.0	89.5	58.40	70.20	77.20	33.0	165	260	26	45
7.5	256T	875	7.9	13.0	50	G	87.0	88.0	87.5	85.5	0.44	0.55	0.62	61.0	165	200	50	100
10	215T	3515	3.5	11.5	81	H	91.0	91.1	90.2	88.5	81.50	88.80	90.30	15.0	180	440	14	28
10	215T	1755	6.1	12.5	81	H	91.7	92.2	91.7	90.2	63.80	76.20	81.70	30.0	270	410	20	36
10	256T	1175	6.3	13.5	81	H	91.4	91.6	91.0	89.5	61.00	71.60	76.20	45.0	165	250	18	38
10	284T	875	9.1	15.0	81	G	87.9	89.7	90.2	89.5	49.00	61.00	69.00	60.0	150	220	15	30
15	254T	3530	5.1	17.5	116	G	90.7	91.3	91.0	89.5	80.60	87.40	88.20	22.0	210	260	24	48
15	254T	1770	11.8	19.0	116	G	92.3	92.8	92.4	91.0	64.50	74.70	80.00	44.0	185	235	21	33
15	284T	1180	11.0	21.0	116	G	90.9	91.8	91.7	91.0	53.00	66.00	73.00	67.0	150	240	22	48
15	286T	875	14.0	23.0	116	G	88.7	90.0	90.2	89.5	48.00	60.00	67.00	90.0	150	220	18	35
20	256T	3515	5.2	22.5	145	G	92.1	91.6	91.0	89.5	86.20	91.30	91.50	30.0	185	230	20	45
20	256T	1770	10.5	25.0	145	H	93.1	93.4	93.0	91.7	65.30	75.90	80.50	60.0	185	240	15	33
20	286T	1180	13.0	27.0	145	G	91.2	92.0	91.7	91.0	57.00	69.00	76.00	89.0	150	240	20	45
20	324T	880	18.0	31.0	145	G	89.8	91.1	91.0	90.2	50.00	61.00	67.00	119.0	140	200	15	35
25	284TS	3525	8.0	29.0	183	G	92.0	92.2	91.7	91.0	80.00	85.00	88.00	37.0	160	250	16	30
25	284T	1775	11.0	30.0	183	G	93.5	94.0	93.6	93.0	71.00	80.00	84.00	74.0	180	250	24	44
25	324T	1185	14.0	33.0	183	G	92.7	93.2	93.0	92.4	62.00	72.00	76.00	111.0	170	240	28	54
25	326T	880	24.0	41.0	183	G	89.2	90.5	90.2	89.5	47.00	57.00	63.00	149.0	150	200	22	40
30	286TS	3525	9.5	34.0	218	G	92.0	92.2	91.7	91.0	84.00	89.00	90.00	45.0	160	250	16	30
30	286T	1775	12.0	35.0	218	G	93.9	94.1	93.6	93.0	73.00	82.00	85.00	89.0	180	250	24	44
30	326T	1185	15.0	39.0	218	G	93.1	93.5	93.0	92.4	61.00	73.00	77.00	133.0	170	220	26	52
30	364T	885	26.0	47.0	218	G	90.6	92.0	91.7	91.0	49.00	61.00	65.00	178.0	150	200	22	40

Typical performance data, not guaranteed

NEMA Premium® is a certification mark of the National Electrical Manufacturers Association.

Typical performance data

Severe duty – 460V 60HZ

SD100 / SD100 IEEE841

NEMA Premium®

Aluminum rotor

HP	Frame	FL RPM	Current (A)			kVA/ hp Code	Nominal Efficiency (%)				Power Factor			Torque			LR Stall Time	
			No Load	Full Load	Lckd Rotor		1/2 Load	3/4 Load	Full Load	Min. Guar.	1/2 Load	3/4 Load	Full Load	Full Load -lb-ft	Lckd Rotor - % -	Break Down - % -	Hot - sec -	Cold - sec -
40	324TS	3535	12.0	45.0	290	G	94.0	94.1	93.6	93.0	80.00	87.00	89.00	60.0	150	250	22	45
40	324T	1780	15.0	46.0	290	G	94.3	94.1	94.1	93.6	75.00	83.00	86.00	118.0	180	230	22	45
40	364T	1185	18.0	49.0	290	G	94.4	94.1	94.1	93.6	70.00	79.00	81.00	177.0	190	220	29	55
40	365T	885	36.0	63.0	290	G	93.0	93.1	91.7	91.0	49.00	60.00	65.00	237.0	150	200	25	40
50	326TS	3535	15.0	55.0	363	G	93.8	94.1	93.6	93.0	82.00	89.00	91.00	74.0	150	250	18	37
50	326T	1780	19.0	58.0	363	G	94.8	95.0	94.5	94.1	74.00	82.00	85.00	148.0	170	230	22	45
50	365T	1185	24.0	62.0	363	G	94.0	94.3	94.1	93.6	67.00	76.00	80.00	222.0	190	220	29	55
50	404T	885	28.0	67.0	363	G	93.0	93.1	92.4	91.7	64.00	73.00	76.00	297.0	140	200	25	40
60	364TS	3565	19.0	68.0	435	G	93.8	94.1	93.6	93.0	80.00	86.00	88.00	89.0	160	250	16	28
60	364T	1780	21.0	68.0	435	G	95.2	95.4	95.0	94.5	77.00	85.00	87.00	177.0	180	240	26	38
60	404T	1185	28.0	74.0	435	G	94.2	94.7	94.5	94.1	65.00	76.00	80.00	266.0	180	220	25	50
60	405T	885	30.0	78.0	435	G	93.0	93.1	92.4	91.7	66.00	75.00	78.00	356.0	140	200	30	35
75	365TS	3565	22.0	86.0	543	G	93.7	94.3	94.1	93.6	81.00	86.00	88.00	111.0	160	260	16	27
75	365T	1780	25.0	85.0	543	G	95.6	95.8	95.4	95.0	78.00	85.00	87.00	221.0	180	240	25	35
75	405T	1185	34.0	93.0	543	G	94.7	94.9	94.5	94.1	68.00	77.00	80.00	332.0	180	220	33	45
75	444T	885	37.0	94.0	543	G	93.5	93.9	93.6	93.0	67.00	76.00	80.00	445.0	135	200	25	32
100	405TS	3570	19.0	108.0	725	G	94.6	94.7	94.1	93.6	90.00	92.00	92.00	147.0	120	200	25	45
100	405T	1780	30.0	113.0	725	G	95.8	96.0	95.4	95.0	80.00	86.00	87.00	295.0	180	200	25	35
100	444T	1185	39.0	117.0	725	G	95.1	95.3	95.0	94.5	73.00	81.00	84.00	443.0	160	200	30	35
100	445T	885	48.0	123.0	725	G	94.2	94.5	94.1	93.6	70.00	78.00	81.00	593.0	130	200	22	30
125	444TS	3575	37.0	140.0	908	G	94.5	95.1	95.0	94.5	84.00	88.00	89.00	184.0	110	200	18	23
125	444T	1785	45.0	143.0	908	G	95.4	95.6	95.4	95.0	78.00	84.00	86.00	368.0	160	200	20	25
125	445T	1185	48.0	144.0	908	G	95.1	95.4	95.0	94.5	74.00	82.00	85.00	554.0	160	200	25	35
125	447T	885	54.0	152.0	908	G	94.6	94.7	94.1	93.6	70.00	79.00	82.00	742.0	130	200	20	30
150	445TS	3575	43.0	162.0	1085	G	94.2	95.0	95.0	94.5	84.00	89.00	90.00	220.0	120	200	15	18
150	445T	1785	52.0	170.0	1085	G	95.7	96.0	95.8	95.4	78.00	84.00	86.00	441.0	150	200	20	30
150	447T	1190	59.0	172.0	1085	G	95.6	96.0	95.8	95.4	73.00	82.00	85.00	662.0	140	200	28	43
150	449T	885	61.0	180.0	1085	G	94.3	94.5	94.1	93.6	72.00	80.00	83.00	890.0	130	200	20	25
200	447TS	3575	59.0	220.0	1450	G	95.3	95.6	95.4	95.0	83.00	90.00	91.00	294.0	120	200	16	20
200	447T	1785	70.0	226.0	1450	G	96.2	96.5	96.2	95.8	76.00	84.00	86.00	588.0	160	200	18	25
200	449T	1190	73.0	227.0	1450	G	95.6	96.2	95.8	95.4	75.00	83.00	86.00	883.0	125	200	25	32
200	S449LS	885	78.0	240.0	1450	G	95.0	95.0	94.5	94.1	71.00	79.00	83.00	1187.0	125	200	15	25
250	449TS	3575	51.0	261.0	1825	G	95.7	96.0	95.8	95.4	89.00	91.00	91.00	368.0	90	200	12	18
250	449T	1785	90.0	278.0	2100	H	96.1	96.3	96.2	95.8	78.00	85.00	87.00	735.0	140	200	18	25
250	449T	1190	86.0	281.0	2050	H	95.7	96.0	95.8	95.4	81.00	86.00	87.00	1104.0	120	200	20	25
250	S449LS	885	109.0	303.0	1825	G	94.5	94.8	94.5	94.1	70.00	78.00	82.00	1483.0	105	200	25	32
300	449TS	3570	60.0	312.0	2200	F	95.6	96.0	95.8	95.4	87.00	90.00	91.00	441.0	80	200	12	13
300	S449LS	1785	114.0	334.0	2400	H	96.1	96.3	96.2	95.8	75.00	83.00	86.00	882.0	140	200	22	30
300	S449LS	1185	119.0	340.0	2400	H	96.0	96.1	95.8	95.4	82.00	85.00	86.00	1329.0	105	200	26	33
350	S449SS	3570	68.0	370.0	2550	G	95.8	96.1	95.8	95.4	89.00	91.00	92.00	515.0	80	200	20	26
350	S449LS	1785	115.0	390.0	2550	G	95.8	96.3	96.2	95.8	77.00	84.00	86.00	1029.0	100	200	25	32
400	S449SS	3570	80.0	422.0	2900	G	94.6	96.1	95.8	95.4	89.00	92.00	93.00	588.0	80	200	21	26
400	S449LS	1785	130.0	454.0	2900	G	96.0	96.4	96.2	95.8	77.00	84.00	86.00	1176.0	100	200	21	26

Typical performance data, not guaranteed

NEMA Premium® is a certification mark of the National Electrical Manufacturers Association.

Typical performance data

Severe duty – 460V 60HZ

SD100 / SD100 IEEE841

NEMA Premium®

Copper rotor

HP	Frame	FL RPM	Current (A)			kVA/ hp Code	Nominal Efficiency (%)				Power Factor			Torque			LR Stall Time	
			No Load	Full Load	Lckd Rotor		1/2 Load	3/4 Load	Full Load	Min. Guar.	1/2 Load	3/4 Load	Full Load	Full Load -lb-ft	Lckd Rotor - % -	Break Down - % -	Hot -sec-	Cold -sec-
1	143T	3550	0.7	1.4	12	L	79.3	82.1	82.5	81.5	65.00	77.00	81.10	1.5	175	380	12	16
1	143T	1775	0.9	1.5	15	N	83.0	86.0	86.5	85.5	53.00	65.00	74.00	3.0	290	480	16	20
1	145T	1175	1.0	1.6	12	L	80.5	83.5	84.0	82.5	49.00	61.00	70.00	4.5	210	280	19	27
1.5	143T	3550	0.8	1.9	20	M	83.0	86.0	87.5	86.5	69.00	79.00	84.00	2.2	230	480	19	26
1.5	145T	1770	1.2	2.1	20	M	85.0	87.0	87.5	86.5	57.00	69.00	77.00	4.4	250	460	14	19
1.5	182T	1180	1.4	2.4	17	L	84.5	87.0	87.5	86.5	49.00	61.00	67.00	6.7	165	410	33	50
2	145T	3550	1.2	2.6	25	L	85.0	88.0	88.5	87.5	66.00	77.00	83.00	3.0	250	490	18	26
2	145T	1765	1.6	2.8	25	L	86.0	87.5	87.5	86.5	55.00	69.00	78.00	6.0	240	440	15	21
2	184T	1180	1.8	3.0	22	K	87.5	89.0	88.5	87.5	47.00	59.00	67.00	8.9	190	400	30	41
3	182T	3565	1.5	3.8	32	K	85.5	89.0	89.5	88.5	69.00	79.00	83.00	4.4	220	400	36	51
3	182T	1770	1.8	4.0	33	K	88.5	90.0	90.2	89.5	63.00	73.00	79.00	8.9	230	390	31	45
3	213T	1180	2.3	4.3	32	K	88.5	90.0	90.2	89.5	55.00	67.00	74.00	13.0	175	360	27	35
5	184T	3550	2.3	6.2	46	J	89.0	90.2	90.2	89.5	70.00	80.00	84.00	7.4	200	440	21	38
5	184T	1770	3.2	6.7	46	J	89.5	90.0	90.2	89.5	62.00	72.00	77.00	15.0	225	340	19	35
5	215T	1180	3.5	7.0	46	J	89.0	90.5	90.2	89.5	56.00	68.00	76.00	22.0	190	350	21	31
7.5	213T	3560	2.6	8.5	63	H	91.0	92.0	91.7	91.0	78.00	86.00	88.00	11.0	170	340	19	31
7.5	213T	1775	4.0	9.5	63	H	92.0	92.5	92.4	91.7	65.00	76.00	81.00	22.0	250	340	34	49
7.5	254T	1180	5.0	10.5	63	H	91.5	92.5	92.4	91.7	57.00	67.00	76.00	33.0	190	230	66	92
10	215T	3555	3.4	11.5	81	H	92.0	92.3	91.7	91.0	78.00	86.00	89.00	15.0	200	360	13	24
10	215T	1770	5.5	12.5	81	H	92.0	92.5	92.4	91.7	64.00	75.00	81.00	30.0	250	280	25	41
10	256T	1185	6.5	13.5	81	H	92.0	92.5	92.4	91.7	57.00	68.00	72.00	44.0	240	250	45	73
15	254T	3565	5.0	17.0	116	G	91.0	92.0	92.4	91.7	81.00	87.00	89.00	22.0	220	280	45	81
15	254T	1780	7.3	19.0	116	G	92.5	93.5	93.0	92.4	66.00	76.00	79.00	44.0	200	250	25	55
20	256T	3560	5.5	22.5	145	G	92.0	92.5	92.4	91.7	84.00	88.00	88.00	29.0	210	250	34	75
20	256T	1780	9.5	25.0	145	G	93.0	93.5	93.6	93.0	68.00	78.00	80.00	59.0	190	230	28	56

General Purpose Motors

Severe Duty Motors

Hazardous Duty Motors

Definite Purpose Motors

QuickMOD Detail

Custom Options Detail

Typical Performance Data

General Dimensions

Part Number Index

Typical performance data, not guaranteed

NEMA Premium® is a certification mark of the National Electrical Manufacturers Association.

Typical performance data

Explosion proof – 460V 60HZ

NEMA Premium®

XP100 / XP100 IDI

HP	Frame	FL RPM	Current (A)			kVA/ hp Code	Nominal Efficiency (%)				Power Factor			Torque			LR Stall Time	
			No Load	Full Load	Lckd Rotor		1/2 Load	3/4 Load	Full Load	Min. Guar.	1/2 Load	3/4 Load	Full Load	Full Load -lb-ft	Lckd Rotor - % -	Break Down - % -	Hot -sec-	Cold -sec-
1	143T	3520	0.7	1.4	12	K	79.3	82.1	82.5	80.0	65.20	77.40	81.10	1.5	175	380	12	16
1	143T	1760	0.7	1.4	14	L	83.4	85.4	85.5	82.5	58.40	71.50	78.20	3.0	295	380	18	26
1	145T	1165	1.0	1.6	11	K	80.2	82.5	82.5	80.0	50.20	63.30	70.90	4.5	260	350	18	31
1	182T	870	1.5	2.1	9	J	77.0	80.0	81.5	78.5	36.00	47.00	56.00	8.0	160	280	50	68
1.5	143T	3525	1.1	2.0	19	L	80.0	83.2	84.0	81.5	64.20	77.00	83.60	2.2	270	450	14	19
1.5	145T	1740	1.1	2.1	19	L	85.8	87.0	86.5	84.0	58.50	71.80	77.30	4.5	330	420	15	21
1.5	182T	1160	1.4	2.4	16	K	85.3	87.6	87.5	85.5	48.40	58.40	66.90	6.8	205	330	34	46
1.5	184T	865	2.3	3.0	17	H	78.5	82.0	82.5	80.0	35.00	47.00	56.00	12.0	160	280	43	63
2	145T	3515	1.2	2.5	23	L	84.0	85.7	85.5	82.5	69.00	81.30	87.60	2.9	250	420	13	18
2	145T	1740	1.5	2.7	24	L	86.0	87.2	86.5	84.0	57.80	70.80	77.30	6.0	320	390	14	22
2	184T	1160	1.9	3.2	20	J	87.5	88.7	88.5	86.5	46.50	58.80	66.10	9.1	240	310	23	32
2	213T	870	2.0	3.3	16	H	84.0	84.5	84.0	81.5	51.00	63.00	67.00	16.0	170	290	22	38
3	182T	3520	1.7	3.8	30	J	84.2	86.3	86.5	84.0	69.50	79.80	85.50	4.4	185	380	20	30
3	182T	1760	2.1	4.0	33	K	87.8	89.4	89.5	87.5	59.50	71.70	78.50	9.0	235	360	17	29
3	213T	1175	2.5	4.3	32	K	87.8	89.3	89.5	87.5	52.10	65.40	73.00	13.4	265	470	23	35
3	215T	870	3.0	4.8	25	H	85.5	86.5	85.5	82.5	45.00	59.00	68.00	24.0	175	290	19	31
5	184T	3505	2.0	6.0	46	H	88.2	89.1	88.5	86.5	78.10	85.90	88.20	7.5	170	420	15	29
5	184T	1755	3.0	6.4	50	J	89.2	90.0	89.5	87.5	63.60	75.10	80.50	15.0	220	350	14	29
5	215T	1165	4.5	6.7	46	H	89.5	90.1	89.5	87.5	59.40	71.40	78.10	26.5	220	380	14	21
5	254T	875	5.5	8.8	33	F	85.5	87.0	86.5	84.0	43.00	54.00	61.00	41.0	155	210	65	115
7.5	213T	3520	3.0	8.8	63	H	89.6	90.1	89.5	87.5	78.50	86.80	89.20	11.0	180	490	17	30
7.5	213T	1765	5.0	9.7	63	J	90.7	91.7	91.7	90.2	60.50	72.30	78.90	22.0	270	450	25	42
7.5	254T	1175	5.0	10.0	63	H	91.1	91.5	91.0	89.5	58.40	70.20	77.20	33.0	165	260	26	45
7.5	256T	875	7.9	13.0	50	G	87.0	88.0	87.5	85.5	0.44	0.55	0.62	61.0	165	200	50	100
10	215T	3515	3.5	11.5	81	H	91.0	91.1	90.2	88.5	81.50	88.80	90.30	15.0	180	440	14	28
10	215T	1755	6.1	12.5	81	H	91.7	92.2	91.7	90.2	63.80	76.20	81.70	30.0	270	410	20	36
10	256T	1175	6.3	13.5	81	H	91.4	91.6	91.0	89.5	61.00	71.60	76.20	45.0	165	250	18	38
10	284T	885	11.0	17.0	81	H	88.2	89.8	90.2	89.5	42.00	53.00	61.00	59.0	160	240	15	30
15	254T	3530	5.1	17.5	116	G	90.7	91.3	91.0	89.5	80.60	87.40	88.20	22.0	210	260	24	48
15	254T	1770	11.8	19.0	116	G	92.3	92.8	92.4	91.0	64.50	74.70	80.00	44.0	185	235	21	33
15	284T	1180	8.8	17.0	93	G	90.9	91.8	91.7	91.0	53.00	66.00	73.00	67.0	150	240	22	48
15	286T	885	14.0	23.0	116	H	89.4	90.6	91.0	90.2	47.00	59.00	66.00	89.0	160	240	18	35
20	256T	3515	5.2	22.5	145	G	92.1	91.6	91.0	89.5	86.20	91.30	91.50	30.0	185	230	20	45
20	256T	1770	10.5	25.0	145	H	93.1	93.4	93.0	91.7	65.30	75.90	80.50	60.0	185	240	15	33
20	286T	1180	10.5	21.5	116	G	91.2	92.0	91.7	91.0	57.00	69.00	76.00	89.0	150	240	20	45
20	324T	885	18.0	32.0	145	G	90.0	90.8	91.0	90.2	46.00	58.00	65.00	119.0	140	200	15	35
25	284TS	3525	7.0	29.0	183	G	91.4	92.2	91.7	91.0	81.00	86.00	88.00	37.0	160	250	16	30
25	284T	1775	11.0	30.0	183	G	93.5	94.0	93.6	93.0	71.00	80.00	84.00	74.0	180	250	24	44
25	324T	1185	14.0	33.0	183	G	92.7	93.2	93.0	92.4	62.00	72.00	76.00	111.0	170	240	28	54
25	326T	885	22.0	40.0	183	G	90.4	91.2	91.0	90.2	48.00	59.00	65.00	149.0	150	200	22	40
30	286TS	3530	8.5	34.0	218	G	91.4	92.2	91.7	91.0	84.00	89.00	90.00	45.0	160	250	16	30
30	286T	1775	12.0	35.0	227	G	93.9	94.1	93.6	93.0	73.00	82.00	85.00	89.0	180	250	24	44
30	326T	1185	15.0	39.0	218	G	93.1	93.5	93.0	92.4	61.00	73.00	77.00	133.0	170	220	26	52
30	364T	885	18.0	41.0	210	G	90.6	92.0	91.7	91.0	49.00	61.00	65.00	178.0	150	200	22	40

Typical performance data, not guaranteed

NEMA Premium® is a certification mark of the National Electrical Manufacturers Association.

Typical performance data

Explosion proof – 460V 60HZ

XP100 / XP100 IDI

NEMA Premium®

HP	Frame	FL RPM	Current (A)			kVA/ hp Code	Nominal Efficiency (%)				Power Factor			Torque			LR Stall Time	
			No Load	Full Load	Lckd Rotor		1/2 Load	3/4 Load	Full Load	Min. Guar.	1/2 Load	3/4 Load	Full Load	Full Load -lb-ft	Lckd Rotor -% -	Break Down -% -	Hot -sec-	Cold -sec-
40	324TS	3535	12.0	45.0	290	G	94.0	94.1	93.6	93.0	80.00	87.00	89.00	60.0	150	250	22	45
40	324T	1780	15.0	46.0	290	G	94.3	94.1	94.1	93.6	75.00	83.00	86.00	118.0	180	230	22	45
40	364T	1185	19.0	49.0	290	G	94.4	94.6	94.1	93.6	68.00	77.00	81.00	177.0	190	220	29	55
40	365T	885	36.0	63.0	290	G	93.0	93.1	91.7	91.0	49.00	60.00	65.00	237.0	150	200	25	40
50	326TS	3535	15.0	55.0	363	G	93.8	94.1	93.6	93.0	82.00	89.00	91.00	74.0	150	250	18	37
50	326T	1780	19.0	58.0	384	G	94.8	95.0	94.5	94.1	74.00	82.00	85.00	148.0	170	230	22	45
50	365T	1185	24.0	62.0	363	G	94.0	94.3	94.1	93.6	67.00	76.00	80.00	222.0	190	220	29	55
50	404T	885	28.0	67.0	363	G	93.0	93.1	92.4	91.7	64.00	73.00	76.00	297.0	140	200	25	40
60	364TS	3565	19.0	68.0	435	G	93.8	94.1	93.6	93.0	80.00	86.00	88.00	89.0	160	250	16	28
60	364T	1780	21.0	68.0	435	G	95.2	95.4	95.0	94.5	77.00	85.00	87.00	177.0	180	240	26	38
60	404T	1185	28.0	74.0	435	G	94.2	94.7	94.5	94.1	65.00	76.00	80.00	266.0	180	220	25	50
60	405T	885	30.0	78.0	435	G	93.0	93.1	92.4	91.7	66.00	75.00	78.00	356.0	140	200	30	35
75	365TS	3565	22.0	86.0	543	G	93.7	94.3	94.1	93.6	81.00	86.00	88.00	111.0	160	260	16	27
75	365T	1780	25.0	85.0	543	G	95.6	95.8	95.4	95.0	78.00	85.00	87.00	221.0	180	240	25	35
75	405T	1185	34.0	93.0	543	G	94.7	94.9	94.5	94.1	68.00	77.00	80.00	332.0	180	220	33	45
75	444T	885	37.0	94.0	543	G	93.5	93.9	93.6	93.0	67.00	76.00	80.00	445.0	135	200	25	32
100	405TS	3570	19.0	108.0	725	G	94.6	94.7	94.1	93.6	90.00	92.00	92.00	147.0	120	200	25	45
100	405T	1780	30.0	113.0	725	G	95.8	96.0	95.4	95.0	80.00	86.00	87.00	295.0	180	200	25	35
100	444T	1185	39.0	117.0	725	G	95.1	95.3	95.0	94.5	73.00	81.00	84.00	443.0	160	200	30	35
100	445T	885	48.0	123.0	725	G	94.2	94.5	94.1	93.6	70.00	78.00	81.00	593.0	130	200	22	30
125	444TS	3575	32.0	138.0	908	G	94.5	95.1	95.0	94.5	84.00	88.00	89.00	184.0	120	200	18	23
125	444TS	1785	45.0	143.0	908	G	95.4	95.6	95.4	95.0	78.00	84.00	86.00	368.0	160	200	20	25
125	444T	1785	45.0	143.0	908	G	95.4	95.6	95.4	95.0	78.00	84.00	86.00	368.0	160	200	20	25
125	445T	1185	48.0	144.0	908	G	95.1	95.4	95.0	94.5	74.00	82.00	85.00	554.0	160	200	25	35
125	447T	885	54.0	152.0	908	G	94.6	94.7	94.1	93.6	70.00	79.00	82.00	742.0	130	200	20	30
150	445TS	3575	37.0	164.0	1085	G	94.8	95.2	95.0	94.5	84.00	89.00	90.00	220.0	120	200	15	18
150	445T	1785	52.0	170.0	1085	G	95.7	96.0	95.8	95.4	78.00	84.00	86.00	441.0	150	200	20	30
150	445TS	1785	52.0	170.0	1085	G	95.7	96.0	95.8	95.4	78.00	84.00	86.00	441.0	150	200	20	30
150	447T	1190	59.0	172.0	1085	G	95.6	96.0	95.8	95.4	73.00	82.00	85.00	662.0	140	200	28	43
150	449T	885	61.0	180.0	1085	G	94.3	94.5	94.1	93.6	72.00	80.00	83.00	890.0	130	200	20	25
200	447TS	3575	44.0	216.0	1450	G	95.3	95.6	95.4	95.0	88.00	90.00	91.00	294.0	120	200	16	20
200	447T	1785	73.0	228.0	1450	G	96.2	96.5	96.2	95.8	75.00	83.00	85.00	588.0	160	200	18	25
200	447TS	1785	73.0	228.0	1450	G	96.2	96.5	96.2	95.8	75.00	83.00	85.00	588.0	160	200	18	25
200	449T	1190	73.0	227.0	1450	G	95.6	96.2	95.8	95.4	75.00	83.00	86.00	883.0	125	200	25	32
200	449T	885	78.0	240.0	1450	G	95.0	95.0	94.5	94.1	71.00	79.00	83.00	1187.0	125	200	15	25
250	449TS	3575	45.0	265.0	1825	G	95.7	96.0	95.8	95.0	89.00	91.00	91.00	368.0	120	200	12	18
250	449T	1785	90.0	278.0	2100	H	96.1	96.3	96.2	95.8	78.00	85.00	87.00	735.0	140	200	18	25
250	449TS	1785	90.0	278.0	2100	H	96.1	96.3	96.2	95.8	78.00	85.00	87.00	735.0	140	200	18	25
250	449T	1190	86.0	281.0	2050	H	95.7	96.0	95.8	95.4	81.00	86.00	87.00	1104.0	120	200	20	25
250	449TS	1190	86.0	281.0	2050	H	95.7	96.0	95.8	95.4	81.00	86.00	87.00	1104.0	120	200	20	25
300	449TS	3570	68.0	325.0	2200	G	95.2	95.8	95.8	95.4	86.00	90.00	91.00	441.0	100	200	12	13
300	449T	1785	114.0	338.0	2400	H	96.1	96.3	96.2	95.8	75.00	83.00	86.00	882.0	140	200	22	30
300	449TS	1785	114.0	338.0	2400	H	96.1	96.3	96.2	95.8	75.00	83.00	86.00	882.0	140	200	22	30

Typical performance data, not guaranteed

NEMA Premium® is a certification mark of the National Electrical Manufacturers Association.

Introduction
General Purpose Motors
Severe Duty Motors
Hazardous Duty Motors
Definite Purpose Motors
QuickMOD Detail
Custom Options Detail
Typical Performance Data
General Dimensions
Part Number Index

Typical performance data

Definite purpose – 460V 60HZ
SD10 MS

1 winding variable torque

HP	Frame	FL RPM	Current (A)			kVA/ hp Code	Nominal Efficiency (%)			Power Factor			Torque			LR Stall Time	
			No Load	Full Load	Lckd Rotor		1/2 Load	3/4 Load	Full Load	1/2 Load	3/4 Load	Full Load	Full Load -lb-ft	Lckd Rotor -%-	Break Down -%-	Hot -sec-	Cold -sec-
1 0.25	143T	1745 850	1.3 0.8	1.8 0.9	11 2.5	K	70.5 42	74.5 48.8	75.5 52.5	47 34	60 42	69 50	3 1.5	250 160	290 250	12	22
1.5 0.37	145T	1740 855	1.4 0.9	2.2 1	14.6 3.3	K	79.7 48.5	81.9 53.9	81.5 55.5	57 47	70.4 58.7	78.3 62.4	4.5 2.2	250 140	280 225	12	24
2 0.5	182T	1745 865	1.2 0.9	2.7 1.3	20 4.9	K	82.7 60.72	84.3 67.1	84 70	62.6 33.3	76.16 42.7	82.57 51.45	6.0 3.0	235 140	290 225	12	25
3 0.75	184T	1735 855	2 1.1	4 1.5	32 5.5	J	85.5 69.8	85.4 74.1	84 75.5	69 40.4	79 52.5	83.6 62.0	9.0 4.6	240 135	290 220	18	36
5 1.2	213T	176 865	3.6 1.9	6.6 2.4	46 9	J	84.6 72.05	85.9 76.9	85.5 78.5	62.6 40.2	75.7 51.4	82.9 59.6	14.9 7.3	185 120	225 200	14	26
7.5 1.9	215T	1760 865	5.2 2.6	9.9 3.5	63 13	J	85 170	86 72.5	85.5 74	62 46	76 60	82.9 68.6	22.4 11.5	175 130	215 210	14	26
10 2.5	254T	1770 880	6 4.3	12.9 5.4	81 18	H	87.8 75	88.7 79.7	88.5 81.5	65.8 34.6	76.7 45.1	82.0 53.1	29.7 14.9	165 110	200 180	14	29
15 3.7	256T	1770 880	7.7 5.6	18.5 7.5	115 26	J	89.8 79	90.5 82.9	90.2 84	69 37.06	79 47.8	84.2 54.9	44.5 22.09	160 120	200/ 180	17	32
20 5	284T	1770 880	10 7.2	25 9.3	153 37	G	88.7 80	89 83	88.5 84	71 38	51 50	85 59	59.4 30	113 54	159 75	19	40
25 6.2	286T	1765 880	10.5 8	30 11.5	177 46	G	90.3 82.9	90.4 85.2	89.5 85.5	76 40	84 52	87 60	74 37	140 55	177 74	19	40
30 7.5	324T	1770 885	11.5 8.5	35 13	240 554	H	91.9 85	92.3 87.7	91.7 88.5	85 44	77 56	88 61	89 45	195 67	240 90	20	40
40 10	326T	1770 885	11.6 11.2	46 17	340 81	H	92.7 85.8	92.9 88.4	92.4 88.5	73 41	83 53	88 61	124 59	248 88	322 129	20	40
50 12.5	364T	1780 890	20.5 15.5	58 22.5	425 97	H	93.3 86.4	93.5 88.8	93 89.5	73 38	83 50	86 58	147 74	265 96	352 192	22	42
60 15	365T	1780 885	26 18.5	93.3 86.2	458 103	G	93.3 86.2	93.5 81	93 88.5	73 39	81 51	85 59	178 89	284 112	384 178	22	45
75 19	405T	1785 890	26.5 20	86 32	568 120	G	90.5 85.8	92.6 88.1	93 88.5	79 45	84 56	86 63	220 112	352 156	550 212	23	42
100 25	444TS	1790 890	41.5 31	118 46	804 178	H	94 88.4	94.1 90.4	93.6 91	73 40	81 51	84 59	293 147	644 220	820 286	28	36
125 31	445TS	1790 890	46 39	158 57	1045 223	H	92.7 88.9	93.2 90.9	93 91.7	67 38	77 48	81 56	367 182	697 273	880 364	20	23
150 37	447TS	1785 890	64.5 45.5	176 68	1260 273	H	92.1 87.6	93.2 89.6	93.6 90.2	73 39	82 50	85 58	441 221	926 375	1190 440	24	29
200 50	449TS	1785 890	65 51	230 86	1460 291	G	92.3 91.6	93.3 92.9	94.5 93	79 43	85 53	86 58	588 295	1058 383	1410 501	22	30
250 62.5	449TS	1785 890	81 59	289 105	1835 366	G	92.9 90	93.6 91.1	93.6 91	79 45	85 56	87 61	735 369	1433 516	1984 590	20	25

Typical performance data, not guaranteed

Typical performance data

Definite purpose – 460V 60HZ
RGZESDI

Constant torque 10:1
Inverter duty only

HP	Frame	FL RPM	Speed Range	F.L. RPM	FL Amps	NL Amps	FL Torque (lb-ft)	Max. Torque Const HP (lb-ft)	Max RPM Const. HP	HP @ Min Const. Torque	Ohms/Phase (Y equiv.) Circuit Parameters 25°C				
											X1	X2	XM	R1	R2
1	143T	1800	10:1	1745	1.5	1.1	3.0	1.5	3490	0.1	7.330	8.020	306.000	9.450	5.850
1	145T	1200	10:1	1140	1.8	1.3	4.6	2.3	2280	0.1	7.470	6.540	214.000	12.500	8.680
1.5	143T	3600	10:1	3485	2	0.9	2.3	1.2	5225	0.1	6.870	3.180	372.000	6.400	4.520
1.5	145T	1800	10:1	1740	2.2	1.4	4.5	2.3	3480	0.1	4.940	5.270	199.000	6.980	4.370
1.5	182T	1200	10:1	1160	2.3	1.5	6.8	3.4	2320	0.1	5.220	9.400	185.000	6.280	4.540
2	145T	3600	10:1	3495	2.5	1.1	3.0	1.5	5240	0.1	4.870	2.450	286.000	4.590	3.560
2	145T	1800	10:1	1735	2.9	1.9	6.1	3.0	3470	0.1	3.800	4.160	165.000	5.050	3.560
2	184T	1200	10:1	1160	3	1.9	9.1	4.5	2320	0.1	3.590	7.370	145.000	4.260	3.430
3	182T	3600	10:1	3510	3.6	1.7	4.5	2.3	5265	0.2	4.340	2.210	193.000	2.840	2.020
3	182T	1800	10:1	1740	3.9	1.8	9.1	4.5	3480	0.2	2.980	4.540	146.000	3.130	2.620
3	213T	1200	10:1	1165	4	2.3	14.0	6.8	2330	0.2	3.240	4.570	130.000	3.250	1.730
5	184T	3600	10:1	3490	5.8	1.8	7.5	3.8	5235	0.4	2.620	1.540	135.000	1.860	1.400
5	184T	1800	10:1	1730	6.5	3.2	15.0	7.6	3460	0.3	1.710	2.700	84.200	1.850	1.640
5	215T	1200	10:1	1160	6.8	3.3	23.0	11.3	2320	0.4	2.010	2.910	86.800	1.990	1.230
7.5	213T	3600	10:1	3515	8.8	3.4	11.0	7.5	5270	0.6	2.080	1.460	83.600	1.200	0.710
7.5	213T	1800	10:1	1750	9.5	4.2	23.0	11.3	3500	0.6	1.270	2.480	63.200	1.030	0.750
7.5	256T	1200	10:1	1170	9.8	5	34.0	16.8	2340	0.6	1.410	1.710	52.100	0.680	0.530
10	215T	3600	10:1	3505	12	4	15.0	10.0	5255	0.8	1.670	1.270	74.000	0.970	0.600
10	215T	1800	10:1	1750	13	5.4	30.0	15.0	3500	0.7	0.990	1.980	49.600	0.820	0.610
10	284T	1200	10:1	1165	13	10	45.0	22.5	2330	0.7	1.000	1.110	26.300	0.400	0.240
15	256T	3600	10:1	3530	17	7.4	22.0	15.0	5295	1.2	0.950	0.800	40.300	0.300	0.270
15	256T	1800	10:1	1760	19	9.1	45.0	22.4	3520	1.2	0.600	1.260	30.700	0.260	0.260
15	286T	1200	10:1	1175	20	12	67.0	40.0	1955	1.2	0.770	0.930	22.900	0.290	0.210
20	284TS	3600	10:1	3525	23	8	30.0	19.9	5285	1.6	0.550	1.140	38.500	0.270	0.210
20	284T	1800	10:1	1755	26	13	60.0	29.9	3510	1.5	0.550	0.880	22.800	0.190	0.180
20	324T	1200	10:1	1175	26	15	89.0	54.0	1955	1.6	0.670	0.650	16.100	0.170	0.150
25	286TS	3600	10:1	3525	29	9.5	37.0	24.9	4700	2.0	0.420	0.980	33.800	0.200	0.170
25	286T	1800	10:1	1765	29	15	74.0	49.7	2940	2.0	0.440	0.750	20.300	0.150	0.150
25	326T	1200	10:1	1180	33	19	111.0	67.0	1965	2.1	0.556	0.560	13.900	0.150	0.130
30	324TS	3600	10:1	3525	34	12	45.0	29.8	4700	2.4	0.330	0.600	22.600	0.088	0.100
30	324T	1800	10:1	1765	35	15	89.0	59.6	2940	2.5	0.380	0.670	18.500	0.110	0.100
30	364T	1200	10:1	1180	39	24	134.0	80.0	1965	2.6	0.410	0.700	11.600	0.100	0.070
40	326TS	3600	10:1	3530	45	15	60.0	47.7	4705	3.3	0.250	0.490	18.800	0.072	0.083
40	326T	1800	10:1	1770	47	18	119.0	79.2	2940	3.4	0.310	0.540	15.800	0.082	0.082
40	365T	1200	10:1	1180	52	30	178.0	119.0	1770	3.4	0.320	0.580	10.400	0.081	0.058
50	364TS	3600	10:1	3530	55	19	74.0	59.6	4705	4.088	0.300	0.560	14.800	0.066	0.054
50	364T	1800	10:1	1770	58	21	148.0	98.9	2950	4.229	0.300	0.460	11.600	0.066	0.051
50	404T	1200	10:1	1180	66	26	223.0	148.0	1770	4.248	0.350	0.580	10.800	0.049	0.033

Typical performance data, not guaranteed

Typical performance data

Definite purpose – 460V 60HZ
RGZESDI

Constant torque 10:1
Inverter duty only

HP	Frame	FL RPM	Speed Range	F.L. RPM	FL Amps	NL Amps	FL Torque (lb-ft)	Max. Torque Const HP (lb-ft)	Max RPM Const. HP	HP @ Min Const. Torque	Ohms/Phase (Y equiv) Circuit Parameters 25°C				
											X1	X2	XM	R1	R2
60	365TS	3600	10:1	3565	68	22	89.0	89.0	4455	5.510	0.200	0.460	12.800	0.045	0.041
60	365T	1800	10:1	1775	71	27	178.0	118.0	2660	5.255	0.230	0.370	9.200	0.051	0.041
60	405T	1200	10:1	1185	74	34	266.0	177.0	1775	5.320	0.260	0.450	8.400	0.035	0.025
75	405TS	3600	10:1	3565	85	19	111.0	111.0	4455	6.871	0.210	0.320	16.000	0.034	0.015
75	405T	1800	10:1	1775	87	30	222.0	148.0	2660	6.554	0.200	0.370	9.600	0.028	0.016
75	444T	1200	10:1	1185	93	38	332.0	222.0	1775	6.640	0.170	0.350	7.300	0.026	0.016
100	444TS	3600	10:1	3570	108	32	147.0	147.0	3570	9.240	0.140	0.270	8.800	0.018	0.010
100	444T	1800	10:1	1780	113	42	295.0	197.0	2670	8.990	0.140	0.330	6.700	0.017	0.011
100	445T	1200	10:1	1185	117	44	443.0	296.0	1775	8.860	0.140	0.290	6.200	0.020	0.013
125	445TS	3600	10:1	3575	138	37	184.0	184.0	3575	11.741	0.100	0.210	7.200	0.012	0.007
125	445T	1800	10:1	1785	143	45	368.0	245.0	2675	11.566	0.120	0.300	6.100	0.015	0.009
125	447T	1200	10:1	1185	144	45	554.0	370.0	1775	11.080	0.130	0.280	6.100	0.017	0.012
150	447TS	3600	10:1	3575	164	40	220.0	220.0	3575	14.038	0.087	0.200	7.000	0.010	0.006
150	447T	1800	10:1	1785	170	60	441.0	294.0	2675	13.860	0.085	0.220	4.600	0.010	0.007
150	449T	1200	10:1	1185	170	55	665.0	444.0	1775	13.300	0.092	0.210	4.800	0.013	0.009
200	449TS	3600	10:1	3575	223	45	294.0	294.0	3575	18.760	0.690	0.170	6.400	0.008	0.005
200	449T	1800	10:1	1785	239	78	588.0	471.0	2375	18.480	0.064	0.180	3.700	0.007	0.005
200	449T	1200	10:1	1185	238	75	886.0	592.0	1775	17.720	0.076	0.180	3.800	0.010	0.008
250	449TS	3600	10:1	3575	282	68	368.0	368.0	3570	23.482	0.051	0.130	4.100	0.006	0.004
250	449TS	1800	10:1	1785	302	110	735.0	589.0	2380	23.100	0.052	0.141	2.700	0.007	0.004
250	S449SS	1200	10:1	1185	296	90	1108.0	739.0	1775	22.160	0.092	0.091	3.200	0.007	0.008
300	S449SS	3600	10:1	3575	333	67	441.0	441.0	3575	28.140	0.064	0.062	4.200	0.005	0.004
300	S449SS	1800	10:1	1785	356	115	882.0	882.0	2380	27.720	0.066	0.079	2.400	0.004	0.004
350	S449SS	3600	10:1	3575	392	80	515.0	515.0	3570	32.862	0.052	0.052	3.500	0.004	0.004
350	S449SS	1800	10:1	1785	406	138	1029.0	1029.0	2380	32.340	0.060	0.071	2.000	0.003	0.004

Typical performance data, not guaranteed

Typical performance data

Definite purpose – 460V 60HZ

RGKESDI / RGZESDI

Constant torque 1000:1

Inverter duty only

HP	Frame	FL RPM	Speed Range	F.L. RPM	FL Amps	NL Amps	FL Torque (lb-ft)	Max. Torque Const. HP (lb-ft.)	Max. RPM Const. HP	Ohms/Phase (Y equiv.) Circuit Parameter 25°C				
										X1	X2	XM	R1	R2
1	145T	1800	1000:1	1740	1.4	1.1	3	1.5	3480	7.12	8.21	335	11.28	7.59
1	182T	1200	1000:1	1175	1.8	1.5	4.5	2.3	2400	5.2	9.40	185	6.28	4.54
1.5	182T	3600	1000:1	3485	2	1.6	2.3	1.5	5225	4.34	2.21	193	2.84	2.02
1.5	182T	1800	1000:1	1740	2.2	1.8	4.5	2.2	3480	4.93	8.37	305	5.48	4.45
1.5	184T	1200	1000:1	1160	2.4	1.9	6.8	3.4	2320	3.59	7.37	145	4.26	3.43
2	184T	3600	1000:1	3505	2.5	1.7	3	2	5275	2.62	1.54	135	1.86	1.4
2	182T	1800	1000:1	1740	2.7	1.8	6.1	3	3480	3.7	6.07	209	4.32	3.57
2	213T	1200	1000:1	1160	3.2	2.3	9.1	4.5	2320	3.24	4.57	130	3.25	1.73
3	213T	3600	1000:1	3510	3.7	3.3	4.5	3	5265	2.08	1.46	83.6	1.2	0.71
3	184T	1800	1000:1	1740	4.2	3.2	9.1	4.5	3480	2.17	3.78	123	2.58	2.29
3	215T	1200	1000:1	1160	4.3	3.1	14	6.8	2320	2.01	2.91	86.8	1.99	1.23
5	215T	3600	1000:1	3510	5.8	3.5	7.5	5	5265	1.67	1.27	74	0.97	0.6
5	213T	1800	1000:1	1760	6.5	4.2	15	7.5	3520	1.6	3.2	84	1.3	0.92
5	254T	1200	1000:1	1165	7.1	4.5	23	11.3	2330	1.66	1.89	54.3	0.82	0.58
7.5	254T	3600	1000:1	3510	8.7	5	11	7.5	5265	1.33	1.03	57.6	0.39	0.31
7.5	254T	1800	1000:1	1775	9.5	7.3	23	11.1	3550	1.3	2.7	66	0.7	0.52
7.5	256T	1200	1000:1	1165	10	5	34	16.8	2330	1.41	1.71	52.1	0.68	0.53
10	256T	3600	1000:1	3515	12.5	6	15	10	5270	0.95	0.8	40.3	0.3	0.27
10	256T	1800	1000:1	1770	12.5	5.7	30	15	3500	0.86	1.90	48	0.45	0.38
10	256T	1200	1000:1	1165	13	10	45	22	2330	1.41	1.71	52	0.68	0.53
15	254T	3600	1000:1	3530	18	5	22	15	5295	1.33	1.03	57.6	0.39	0.31
15	254T	1800	1000:1	1760	20	7.3	45	22	3520	0.85	1.61	38.5	0.38	0.34
15	284T	1200	1000:1	1175	20	10	67	40	1955	1.00	1.11	26.3	0.40	0.24
20	256T	3600	1000:1	3525	23	7.4	30	20	5285	0.95	0.80	40.3	0.30	0.27
20	256T	1800	1000:1	1755	27	9.1	60	30	3510	0.60	1.26	30.7	0.26	0.26
20	286T	1200	1000:1	1175	26	12	89	54	1955	0.77	0.93	22.9	0.29	0.21
25	284TS	3600	1000:1	3525	29	8	37	25	4700	0.55	1.14	38.5	0.27	0.21
25	284T	1800	1000:1	1765	29	13	74	50	2940	0.55	0.88	22.8	0.19	0.18
25	324T	1200	1000:1	1180	33	15	111	67	1965	0.67	0.65	16.1	0.17	0.15
30	286TS	3600	1000:1	3525	34	9.5	45.0	30	4700	0.42	0.98	33.8	0.2	0.17
30	286T	1800	1000:1	1765	35	15	89	60	2940	0.44	0.75	20.3	0.15	0.15
30	326T	1200	1000:1	1180	39	19	134	80	1965	0.56	0.56	13.9	0.15	0.13
40	324TS	3600	1000:1	3530	46	12	60	48	4705	0.33	0.60	22.6	0.088	0.100
40	324T	1800	1000:1	1770	47	15	119	79	2940	0.38	0.67	18.5	0.110	0.100
40	364T	1200	1000:1	1180	52	24	178	119	1770	0.41	0.70	11.6	0.100	0.070
50	326TS	3600	1000:1	3530	55	15	74	60	4705	0.25	0.49	18.8	0.072	0.083
50	326T	1800	1000:1	1770	58	18	148	99	2950	0.31	0.54	15.8	0.082	0.082
50	365T	1200	1000:1	1180	66	30	223	148	1770	0.32	0.58	10.4	0.081	0.058

General Purpose Motors

Severe Duty Motors

Hazardous Duty Motors

Definite Purpose Motors

QuikMOD Detail

Custom Options Detail

Typical Performance Data

General Dimensions

Part Number Index

Typical performance data

Definite purpose – 460V 60HZ

RGKESDI / RGZESDI

Constant torque 1000:1

Inverter duty only

HP	Frame	FL RPM	Speed Range	F.L. RPM	FL Amps	NL Amps	FL Torque (lb-ft)	Max Torque Const. HP (lb-ft)	Max RPM Const. HP	Ohms/Phase (Y equiv.) Circuit Parameter 25°C				
										X1	X2	XM	R1	R2
60	364TS	3600	1000:1	3565	68	19	89	89	4455		0.30	0.56	14.8	0.066
60	364T	1800	1000:1	1775	71	21	178	118	2660		0.30	0.46	11.6	0.066
60	404TS	1200	1000:1	1185	72	26	266	177	1775		0.35	0.58	10.8	0.049
75	365TS	3600	1000:1	3565	85	22	111	111	4455		0.20	0.46	12.8	0.045
75	365T	1800	1000:1	1775	87	27	222	148	2660		0.23	0.37	9.2	0.051
75	405TS	1200	1000:1	1185	87	34	332	222	1775		0.26	0.45	8.4	0.035
100	405TS	3600	1000:1	3570	110	19	147	147	3570		0.21	0.32	16.0	0.034
100	405TS	1800	1000:1	1780	113	30	295	197	2670		0.2	0.37	9.6	0.028
100	444TS	1200	1000:1	1185	115	38	443	296	1775		0.17	0.35	7.3	0.026
125	444TS	3600	1000:1	3575	136	32	184	184	3575		0.14	0.27	8.8	0.018
125	444TS	1800	1000:1	1785	143	42	368	245	2675		0.14	0.33	6.7	0.017
125	445TS	1200	1000:1	1185	144	44	554	370	1775		0.14	0.29	6.2	0.02
150	445TS	3600	1000:1	3575	160	37	220	220	3575		0.1	0.21	7.2	0.012
150	445TS	1800	1000:1	1785	169	45	441	294	2675		0.12	0.3	6.1	0.015
150	447TS	1200	1000:1	1185	169	45	665	444	1775		0.13	0.28	6.1	0.017
200	447TS	3600	1000:1	3575	208	40	294	294	3575		0.087	0.2	7.0	0.01
200	447TS	1800	1000:1	1785	223	60	588	471	2375		0.085	0.22	4.6	0.01
200	449TS	1200	1000:1	1185	222	55	886	592	1775		0.092	0.21	4.8	0.013
250	449TS	3600	1000:1	3570	264	45	368	368	3570		0.690	0.17	6.4	0.008
250	449TS	1800	1000:1	1785	282	78	735	589	2380		0.064	0.18	3.7	0.007
250	449TS	1200	1000:1	1185	285	75	1108	739	1775		0.076	0.18	3.8	0.01
300	449TS	3600	1000:1	3575	330	68	441	441	3575		0.051	0.13	4.1	0.006
300	449TS	1800	1000:1	1785	345	110	882	706	2380		0.052	0.141	2.7	0.007
300	S449SS	1200	1000:1	1185	335	90	1329	886	1775		0.092	0.091	3.2	0.007
350	S449SS	3600	1000:1	3570	370	67	515	515	3570		0.064	0.062	4.2	0.005
350	S449SS	1800	1000:1	1785	390	115	1029	825	2380		0.066	0.079	2.4	0.004
350	S449SS	1200	1000:1	1185	396	133	1551	1034	1775		0.069	0.067	2.3	0.005
400	S449SS	3600	1000:1	3570	420	80	588	588	3570		0.052	0.052	3.5	0.004
400	S449SS	1800	1000:1	1785	450	138	1176	942	2380		0.060	0.071	2.0	0.003

Typical performance data, not guaranteed

Typical performance data

Definite purpose – 460V 60HZ

RGZVESD / RGZVILESD

Solid shaft vertical motors

HP	Frame HP/LP	FL RPM	Current (A)			kVA/ hp Code	Normal Efficiency (%)			Power Factor			Torque			LR Stall Time	
			No Load	Full Load	Lckd Rotor		1/2 Load	3/4 Load	Full Load	1/2 Load	3/4 Load	Full Load	Full load -lb-ft	Lckd Rotor - % -	Break Down - % -	Hot - sec -	Cold - sec -
1	143	1745	1	1.5	13	L	78.5	81.6	82.5	54	67	76	3	275	320	16	35
1	145	1160	1	1.6	10	J	79.9	82.3	82.5	48	62	79	4.5	240	300	19	31
1	182	860	1.2	1.9	8	H	75.1	77.4	77	43	55	64	6.1	220	260	20	40
1.5	143	3520	1	1.9	18	L	76.5	80.7	82.5	76	85	90	2.2	270	320	15	33
1.5	145	1750	1.3	2.2	19	L	81.5	83.6	84	55	68	76	4.5	290	320	15	32
1.5	182	1160	1.5	2.3	16	K	80.2	82.7	84	51	65	73	6.8	280	320	22	33
1.5	184	855	1.8	2.6	13	H	76.5	78.9	78.5	46	59	69	9.2	220	270	18	30
2	145	3515	1.1	2.5	22	K	79.4	82.9	84	75	84	89	3	260	320	15	33
2	145	1740	1.5	2.7	21	K	83.2	84.5	84	61	74	82	6	260	310	13	27
2	184	1160	1.9	3	22	K	83.5	85	85.5	51	64	73	9.1	220	300	21	32
2	213	865	2.2	3.3	17	H	79	81	81.5	47	61	70	12	200	290	18	30
3	182	3510	1.7	3.6	32	K	82.8	85.2	85.5	76	85	91	4.5	230	320	15	34
3	182	1740	1.8	3.9	30	K	86.5	87	86.5	66	77	83	9.1	260	300	16	35
3	213	1165	2.3	4	32	K	84.8	86.6	86.5	59	74	81	14	210	300	17	35
3	215	865	3.1	4.7	26	H	81	82.7	82.5	49	63	72	18	190	280	15	32
5	184	3490	1.8	5.8	46	J	85.5	86.8	86.5	83	90	93	8	260	320	12	26
5	184	1730	3.2	6.5	46	J	86.5	87.2	86.5	64	76	83	15	260	300	17	36
5	215	1160	3.3	6.8	46	J	88	88.7	87.5	60	72	79	23	210	300	14	29
5	254	865	4.1	7.5	40	H	85	86	85.5	54	67	73	30	180	260	13	25
7.5	213	3515	3.4	8.8	64	H	86	87	87.5	78	87	91	11	190	280	11	25
7.5	213	1750	4.2	9.5	64	H	88	89	88.5	66	77	84	23	210	270	14	29
7.5	254	1170	4.5	9.8	60	H	88.9	89.2	88.5	61	75	81	34	180	250	18	35
7.5	256	865	6.6	11.5	64	H	86	87	86.5	50	62	70	46	190	260	15	30
10	215	3505	4	12	81	H	88	88.8	88.5	81	90	88	15	190	260	14	29
10	215	1750	5.4	12.5	81	H	88.5	89	88.5	69	80	85	30	210	270	15	30
10	256	1165	5	13	75	G	90	89.8	88.5	66	76	81	45	170	250	18	35
10	284	875	9.1	15	81	H	87.9	89.4	89.5	51	62	70	60	150	220	15	30
15	254	3530	5	17	116	G	86.8	88.3	88.5	85	91	93	22	190	260	17	31
15	254	1760	7.3	19	116	G	90.2	90.6	90.2	69	79	83	45	190	260	18	35
15	284	1175	10	20	116	G	89.5	90.2	89.5	58	72	78	67	160	270	20	45
15	286	875	14	23	116	G	88.6	89.9	89.5	51	61	68	90	150	220	18	35
20	256	3525	7.4	23	145	G	86.6	88.2	88.5	84	88	92	30	180	260	17	25
20	256	1755	9.1	26	145	G	90.6	90.9	90.2	68	77	81	60	190	270	18	35
20	286	1175	12	26	145	G	90.6	90.9	90.2	63	74	80	89	160	250	19	43
20	324	880	18	31	145	G	88.5	89.7	89.5	51	62	68	119	140	200	15	35
25	284	3525	8	29	183	G	90.5	90.7	90.2	81	86	89	37	160	250	16	30
25	284	1765	13	29	183	G	92	92.3	91.7	73	83	88	74	220	280	19	40
25	324	1180	15	33	183	G	90.8	91.3	91	58	70	78	111	170	240	25	50
25	326	880	22	38	183	G	87.5	88.8	88.5	51	63	70	149	150	200	22	40

General Purpose Motors

Severe Duty Motors

Hazardous Duty Motors

Definite Purpose Motors

QuikMOD Detail

Custom Options Detail

Typical Performance Data

General Dimensions

Part Number Index

Typical performance data

Definite purpose – 460V 60HZ

RGZVESD / RGZVILESD

Solid shaft vertical motors

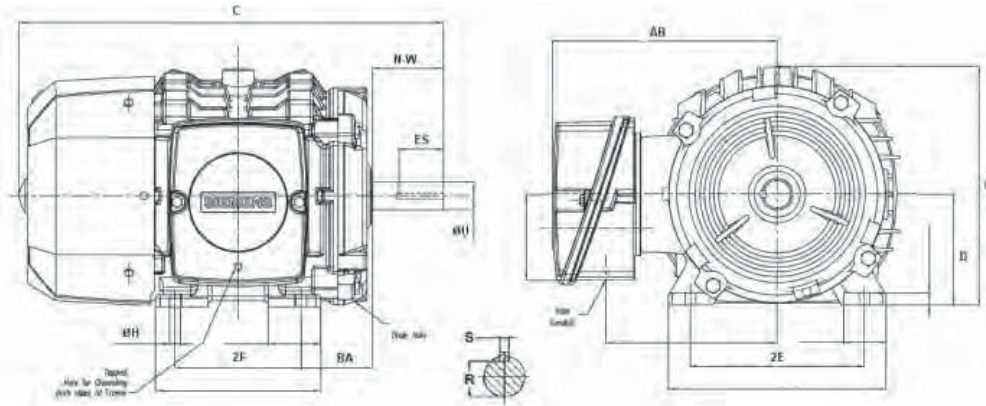
HP	Frame HP/LP	FL RPM	Current (A)			kVA/ hp Code	Normal Efficiency (%)			Power Factor			Torque			LR Stall Time	
			No Load	Full Load	Lckd Rotor		1/2 Load	3/4 Load	Full Load	1/2 Load	3/4 Load	Full Load	Full load -lb-ft	Lckd Rotor - % -	Break Down - % -	Hot - sec -	Cold - sec -
30	286	1765	15	35	218	G	91.9	92.3	91.7	73	84	88	89	220	280	19	40
30	326	1180	19	39	218	G	91.2	91.5	91	59	71	79	134	170	240	25	50
30	364	885	26	47	218	G	88.4	89.8	89.5	51	63	67	178	150	200	22	40
40	324	3530	12	45	290	G	92.8	92.9	92.4	81	88	90	60	150	250	22	45
40	324	1770	15	47	290	G	92.8	93	92.4	78	83	86	119	190	240	20	40
40	364	1180	24	52	290	G	92.4	92.7	92.4	60	72	78	178	170	230	29	55
40	365	885	36	63	290	G	89.2	90.5	90.2	50	61	66	237	150	200	25	40
50	326	3530	15	55	363	G	92.9	93	92.4	83	90	92	74	150	250	18	37
50	326	1770	18	58	363	G	92.9	93	92.4	78	88	87	148	190	240	20	40
50	365	1180	30	66	363	G	92.8	93	92.4	61	72	77	223	170	230	29	55
50	404	885	28	67	363	G	90.8	90.9	90.2	65	74	77	297	140	200	25	45
60	364	3565	19	68	435	G	92.6	92.9	92.4	81	87	89	89	160	250	16	28
60	364	1775	21	71	435	G	92.7	92.9	92.4	75	83	86	178	160	240	22	45
60	404	1185	26	74	435	G	93	93.4	93	71	79	82	266	150	200	25	50
60	405	885	30	78	435	G	90.8	90.9	90.2	68	77	80	356	140	200	30	35
75	365	3565	22	85	543	G	93.2	93.4	93	82	87	89	111	160	260	16	27
75	365	1775	27	87	543	G	93.3	93.5	93	75	84	86	222	155	240	22	45
75	405	1185	34	93	543	G	93.8	94	93.6	69	78	81	332	150	200	33	45
75	444	885	37	94	543	G	91.6	92	91.7	68	77	81	445	135	200	25	32
100	405	3570	19	108	725	G	93.5	93.6	93	91	93	93	147	120	200	25	45
100	405	1780	30	113	725	G	94	94.3	93.6	81	86	88	295	160	200	25	35
100	444	1185	38	117	725	G	93.7	94	93.6	76	83	86	443	140	200	30	35
100	445	885	48	123	725	G	93.1	93.4	93	71	79	82	593	130	200	22	30
125	444	3575	32	138	908	G	93.1	93.7	93.6	86	90	91	184	120	200	18	23
125	444	1785	42	143	908	G	94.2	94.4	94.1	79	85	87	368	160	200	20	25
125	445	1185	44	144	908	G	93.8	94	93.6	79	85	87	554	140	200	25	35
125	447	885	54	152	908	G	92.9	93	92.4	71	80	83	742	130	200	20	40
150	445	3575	37	164	1085	G	93.9	94.3	94.1	85	90	91	220	120	200	15	18
150	445	1785	45	170	1085	G	94.4	94.7	94.5	81	86	87	441	150	200	20	30
150	447	1185	45	170	1085	G	94.5	94.7	94.1	82	87	88	665	125	200	28	43
150	447	885	72	186	1085	G	93	93.4	93	68	77	81	890	130	200	20	25
200	447	3575	40	216	1450	G	94	94.3	94.1	89	91	92	294	120	200	16	20
200	447	1785	60	225	1450	G	94.7	94.8	94.5	82	87	88	588	150	200	18	25
200	449	1185	55	226	1450	G	94.5	94.6	94.1	83	87	88	886	125	200	25	32
200	449	885	101	241	1450	G	93.8	94	93.6	72	80	83	1186	125	200	15	25
250	449	3570	45	267	1825	G	94	94.3	94.1	91	93	93	368	120	200	12	18
250	449	1785	78	281	1825	G	94.5	94.7	94.5	81	86	88	735	140	200	18	25
250	449	1185	75	280	1825	G	94.5	94.6	94.1	83	88	89	1108	120	200	20	25

Typical performance data, not guaranteed

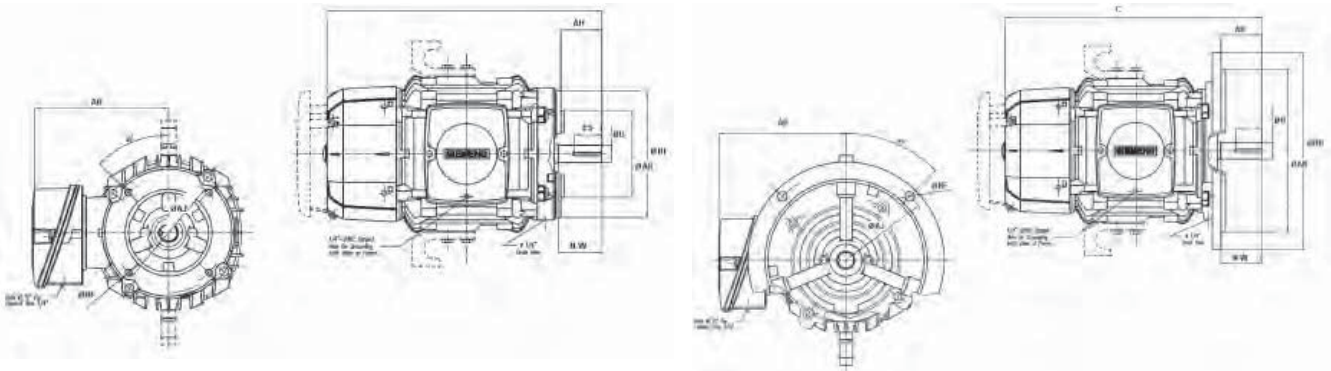
General dimensions

GP100

General purpose Frames 280-320



Frame	Poles	C	2F	N-W	P	U	BA	AB	2E	D	O	Keyseat		
												R	S	ES
284T	All	29.38	9.5	4.63	15.8	1.875	4.75	13.63	11.0	7	14.87	1.59	0.500	3.25
286T	All	29.38	11.0	4.63	15.8	1.875	4.75	13.63	11.0	7	14.87	1.59	0.500	3.25
284TS	All	28.00	9.5	3.25	15.8	1.625	4.75	13.63	11.0	7	14.87	1.42	0.375	1.88
286TS	All	28.00	11.0	3.25	15.8	1.625	4.75	13.63	11.0	7	14.87	1.42	0.375	1.88
324T	All	32.07	10.5	5.25	17.7	2.125	5.25	14.14	12.5	8	16.66	1.85	0.500	3.88
326T	All	32.07	12.0	5.25	17.7	2.125	5.25	14.14	12.5	8	16.66	1.85	0.500	3.88
324TS	All	30.57	10.5	3.75	17.7	1.875	5.25	14.14	12.5	8	16.66	1.59	0.500	2.00
326TS	All	30.57	12.0	3.75	17.7	1.875	5.25	14.14	12.5	8	16.66	1.59	0.500	2.00



Frame	Poles	C-Face						
		BA	AH	AJ	AK	BD	BF #	BF
284T	All	4.75	4.38	9	10.5	11.25	4	1/2-13" NC
286T	All	4.75	4.38	9	10.5	11.25	4	1/2-13" NC
284TS	All	4.75	3.00	9	10.5	11.25	4	1/2-13" NC
286TS	All	4.75	3.00	9	10.5	11.25	4	1/2-13" NC
324T	All	5.25	5.00	11	12.5	14.00	4	5/8-11" NC
326T	All	5.25	5.00	11	12.5	14.00	4	5/8-11" NC
324TS	All	5.25	3.50	11	12.5	14.00	4	5/8-11" NC
326TS	All	5.25	3.50	11	12.5	14.00	4	5/8-11" NC

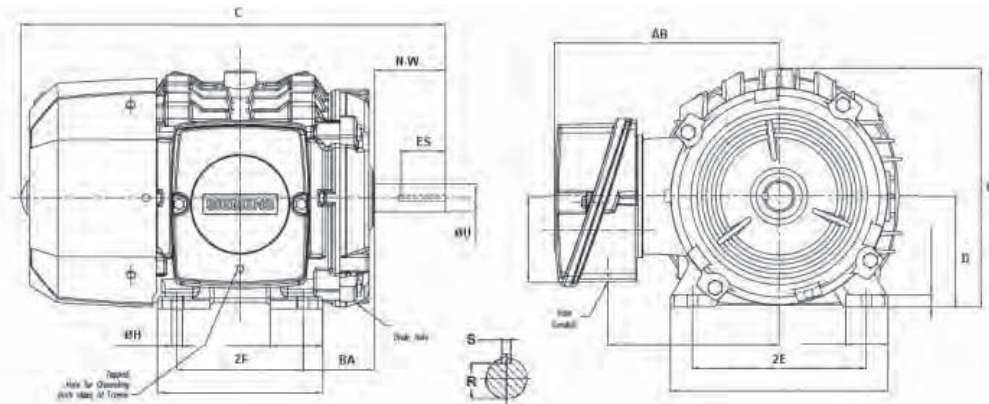
Frame	Poles	D-Flange						
		BA	AH	AJ	AK	BD	BF #	BF
284TD	All	4.75	4.62	12.5	11	14	4	0.81
286TD	All	4.75	4.62	12.5	11	14	4	0.81
284TSD	All	4.75	3.25	12.5	11	14	4	0.81
286TSD	All	4.75	3.25	12.5	11	14	4	0.81
324TD	All	5.25	5.25	16.0	14	18	4	0.81
326TD	All	5.25	5.25	16.0	14	18	4	0.81
324TSD	All	5.25	3.75	16.0	14	18	4	0.81
326TSD	All	5.25	3.75	16.0	14	18	4	0.81

Dimensions in inches.
Typical dimensions data, not guaranteed.

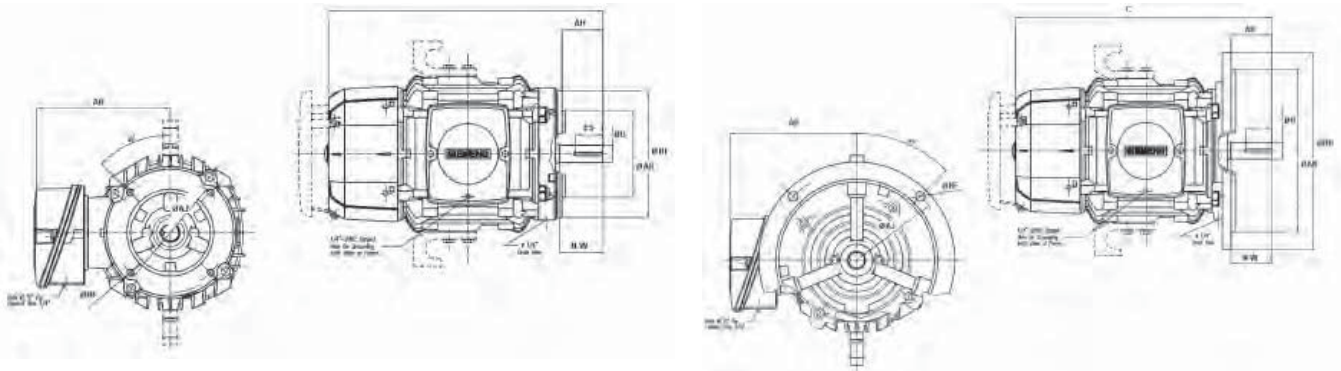
General dimensions

GP100

General purpose
Frames 360-400



Frame	Poles	C	ZF	N-W	P	U	BA	AB	2E	D	O	Keyseat		
												R	S	ES
364T	All	35.53	11.25	5.88	19.6	2.375	5.88	17.56	14	9	18.48	2.02	0.625	4.25
365T	All	35.53	12.25	5.88	19.6	2.375	5.88	17.56	14	9	18.48	2.02	0.625	4.25
364TS	All	33.40	11.25	3.75	19.6	1.875	5.88	17.56	14	9	18.48	1.59	0.500	2.00
365TS	All	33.40	12.25	3.75	19.6	1.875	5.88	17.56	14	9	18.48	1.59	0.500	2.00
404T	All	39.50	12.25	7.25	19.6	2.875	6.62	17.68	16	10	19.60	2.45	0.750	5.63
405T	All	39.50	13.75	7.25	19.6	2.875	6.62	17.68	16	10	19.60	2.45	0.750	5.63
404TS	All	36.50	12.25	4.25	19.6	2.125	6.62	17.68	16	10	19.60	1.85	0.500	2.75
405TS	All	36.50	13.75	4.25	19.6	2.125	6.62	17.68	16	10	19.60	1.85	0.500	2.75



Frame	Poles	C-Face						
		BA	AH	AJ	AK	BD	BF #	BF
364TC	All	5.88	5.63	11	12.5	14.00	8	5/8"-11NC
365TC	All	5.88	5.63	11	12.5	14.00	8	5/8"-11NC
364TSC	All	5.88	3.50	11	12.5	14.00	8	5/8"-11NC
365TSC	All	5.88	3.50	11	12.5	14.00	8	5/8"-11NC
404TC	All	6.62	7.00	11	12.5	15.50	8	5/8"-11NC
405TC	All	6.62	7.00	11	12.5	15.50	8	5/8"-11NC
404TSC	All	6.62	4.00	11	12.5	15.50	8	5/8"-11NC
405TSC	All	6.62	4.00	11	12.5	15.50	8	5/8"-11NC

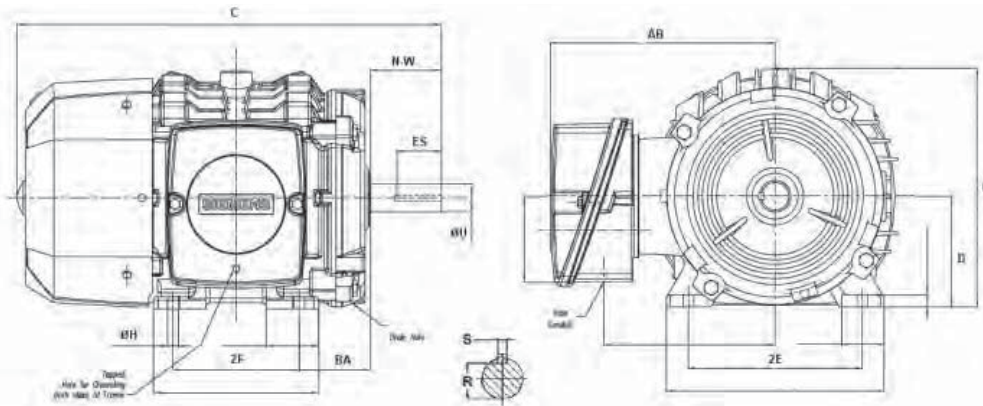
Frame	Poles	D-Flange						
		BA*	AH	AJ	AK	BD	BF #	BF
364TD	All	6.75	5.88	16	14.0	18.00	4	0.81
365TD	All	6.75	5.88	16	14.0	18.00	4	0.81
364TSD	All	6.75	3.75	16	14.0	18.00	4	0.81
365TSD	All	6.75	3.75	16	14.0	18.00	4	0.81
404TD	All	7.12	7.25	20	18.0	22.00	8	0.81
405TD	All	7.12	7.25	20	18.0	22.00	8	0.81
404TSD	All	7.12	4.25	20	18.0	22.00	8	0.81
405TSD	All	7.12	4.25	20	18.0	22.00	8	0.81

Dimensions in inches.
Typical dimensions data, not guaranteed.
*Not according to NEMA.

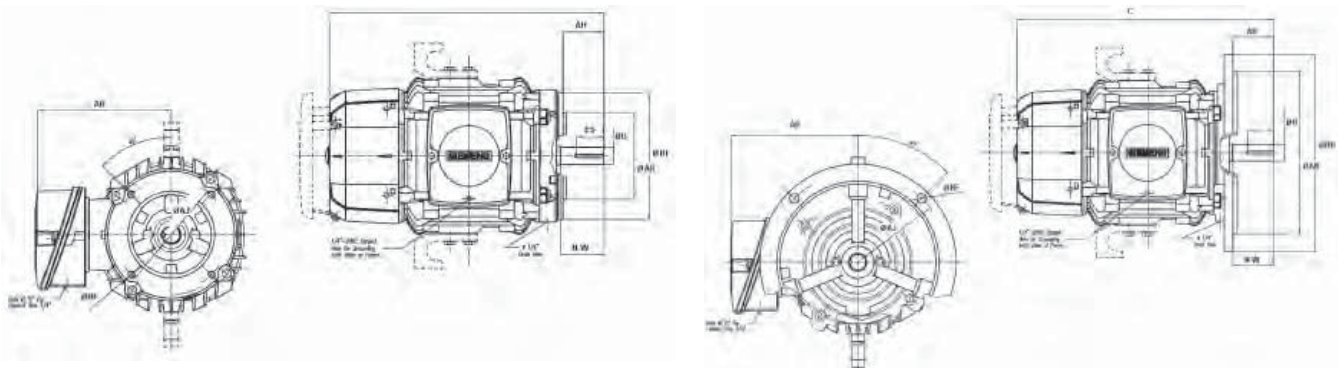
General dimensions

GP100

General purpose
Frames 440



Frame	Poles	C	ZF	N-W	P	U	BA	AB	2E	D	O	Keyseat		
												R	S	ES
444T	All	45.60	14.5	8.50	21.8	3.375	7.5	18.88	18	11	21.8	2.88	0.875	6.88
445T	All	45.60	16.5	8.50	21.8	3.375	7.5	18.88	18	11	21.8	2.88	0.875	6.88
444TS	All	41.80	14.5	4.75	21.8	2.375	7.5	18.88	18	11	21.8	2.02	0.625	3.00
445TS	All	41.80	16.5	4.75	21.8	2.375	7.5	18.88	18	11	21.8	2.02	0.625	3.00
447T	All	49.10	20.0	8.50	21.8	3.375	7.5	18.88	18	11	21.8	2.88	0.875	6.88
447TS	All	45.40	20.0	4.75	21.8	2.375	7.5	18.88	18	11	21.8	2.02	0.625	3.00
449T	All	54.10	25.0	8.50	21.8	3.375	7.5	18.88	18	11	21.8	2.88	0.875	6.88
449TS	All	50.30	25.0	4.75	21.8	2.375	7.5	18.88	18	11	21.8	2.02	0.625	3.00



Frame	Poles	C-Face						
		BA	AH	AJ	AK	BD	BF #	BF
444TC	All	7.5	8.25	14	16	18	8	5/8"-11NC
445TC	All	7.5	8.25	14	16	18	8	5/8"-11NC
444TSC	All	7.5	4.50	14	16	18	8	5/8"-11NC
445TSC	All	7.5	4.50	14	16	18	8	5/8"-11NC
447TC	All	7.5	8.25	14	16	18	8	5/8"-11NC
447TSC	All	7.5	4.50	14	16	18	8	5/8"-11NC
449TC	All	7.5	8.25	14	16	18	8	5/8"-11NC
449TSC	All	7.5	4.50	14	16	18	8	5/8"-11NC

Frame	Poles	D-Flange						
		BA	AH	AJ	AK	BD	BF #	BF
444TD	All	7.5	8.50	20	18	22	8	0.81
445TD	All	7.5	8.50	20	18	22	8	0.81
444TSD	All	7.5	4.75	20	18	22	8	0.81
445TSD	All	7.5	4.75	20	18	22	8	0.81
447TD	All	7.5	8.50	20	18	22	8	0.81
447TSD	All	7.5	4.75	20	18	22	8	0.81
449TD	All	7.5	8.50	20	18	22	8	0.81
449TSD	All	7.5	4.75	20	18	22	8	0.81

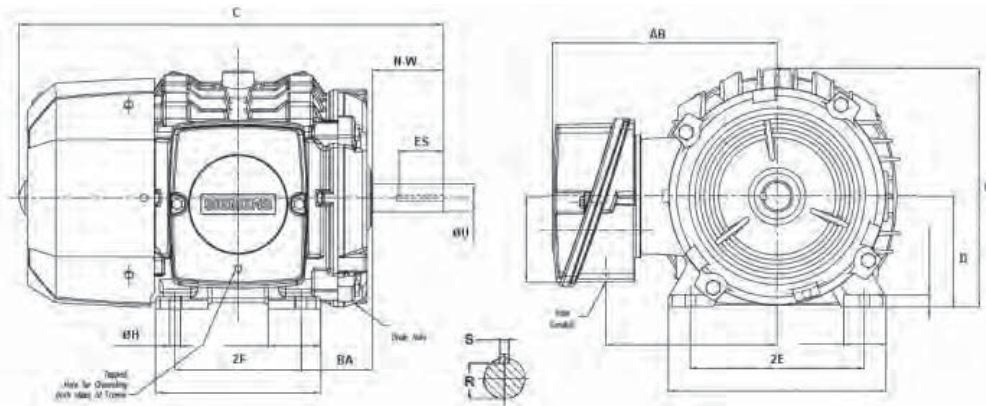
Dimensions in inches.
Typical dimensions data, not guaranteed.

Introduction
General Purpose Motors
Severe Duty Motors
Hazardous Duty Motors
Definite Purpose Motors
QuikMOD Detail
Custom Options Detail
Typical Performance Data
General Dimensions
Part Number Index

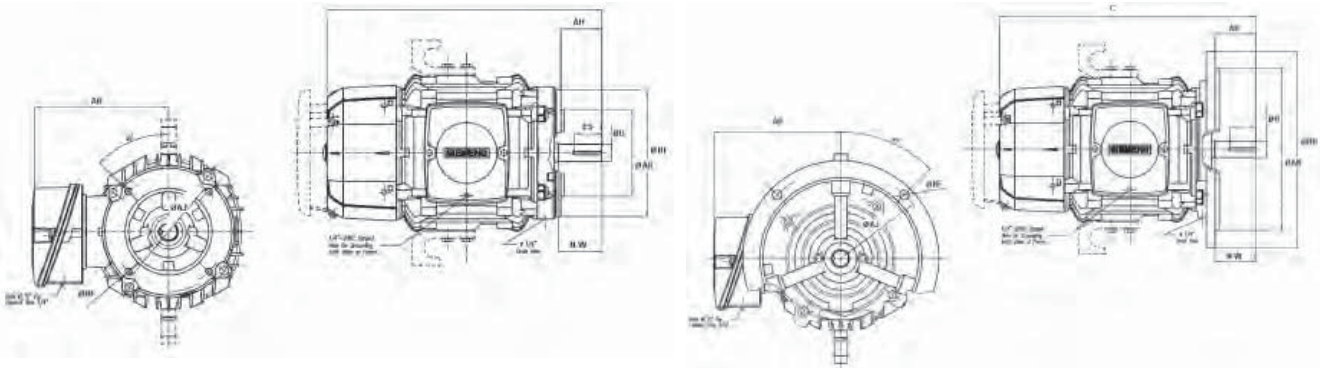
General dimensions

SD100

Severe Duty Frames 140-280



Frame	Poles	C	2F	N-W	P	U	BA	AB	2E	D	O	Keyseat		
												R	S	ES
143T	All	14.2	4.00	2.25	8.2	0.875	2.250	7.40	5.5	3.50	7.50	0.771	0.188	1.41
145T	All	14.2	5.00	2.25	8.2	0.875	2.250	7.40	5.5	3.50	7.50	0.771	0.188	1.41
182T	All	16.4	4.50	2.75	9.6	1.125	2.750	8.20	7.5	4.50	11.10	0.986	0.250	1.81
184T	All	16.4	5.50	2.75	9.6	1.125	2.750	8.20	7.5	4.50	11.10	0.986	0.250	1.81
213T	All	20.2	5.50	3.38	10.7	1.375	3.500	10.39	8.5	5.25	10.66	1.201	0.312	2.44
215T	All	20.2	7.00	3.38	10.7	1.375	3.500	10.39	8.5	5.25	10.66	1.201	0.312	2.44
254T	All	25.8	8.25	4.00	12.9	1.625	4.250	11.14	10.0	6.25	12.75	1.416	0.375	2.91
256T	All	25.8	10.00	4.00	12.9	1.625	4.250	11.14	10.0	6.25	12.75	1.416	0.375	2.91
284T	4,6	29.4	9.50	4.63	15.8	1.875	4.750	14.30	11.0	7.00	14.87	0.500	1.591	3.25
286T	4,6	29.4	11.00	4.63	15.8	1.875	4.750	14.30	11.0	7.00	14.87	0.500	1.591	3.25



Frame	Poles	C-Face						
		BA*	AH	AJ	AK	BD	BF #	BF
143TC	All	2.25	2.12	5.875	4.5	6.50	4	3/8"-16NC
145TC	All	2.25	2.12	5.875	4.5	6.50	4	3/8"-16NC
182TC	All	2.75	2.62	7.250	8.5	9.00	4	1/2"-13NC
182TCH	All	2.75	2.62	5.875	4.5	6.50	4	1/2"-13NC
184TCH	All	2.75	2.62	7.250	4.5	6.50	4	1/2"-13NC
213TC	All	3.50	3.12	5.875	8.5	9.00	4	1/2"-13NC
215TC	All	3.50	3.12	7.250	8.5	9.00	4	1/2"-13NC
254TC	All	4.25	3.75	7.250	8.5	10.00	4	1/2"-13NC
256TC	All	4.25	3.75	7.250	8.5	10.00	4	1/2"-13NC

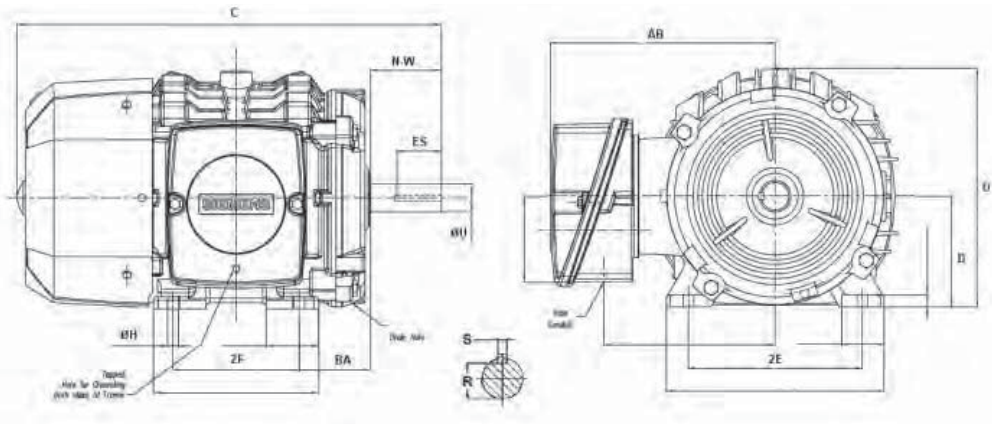
Frame	Poles	D-Flange						
		BA	AH	AJ	AK	BD	BF #	BF
143TD	All	2.25	2.00	10.0	4.5	11	4	0.53
145TD	All	2.25	2.00	10.0	9.0	11	4	0.53
182TD	All	2.75	2.50	10.0	9.0	11	4	0.53
184TD	All	2.75	2.50	10.0	9.0	11	4	0.53
213TD	All	3.5	3.13	10.0	9.0	11	4	0.53
215TD	All	3.5	3.13	10.0	9.0	11	4	0.53
254TD	All	4.25	3.75	12.5	11.0	14	4	0.81
256TD	All	4.25	3.75	12.5	11.0	14	4	0.81
284TD	4,6	4.75	4.37	12.5	11.0	14	4	0.81
286TD	4,6	4.75	4.37	12.5	11.0	14	4	0.81

Dimensions in inches.
Typical dimensions data, not guaranteed.
*Not according to NEMA.

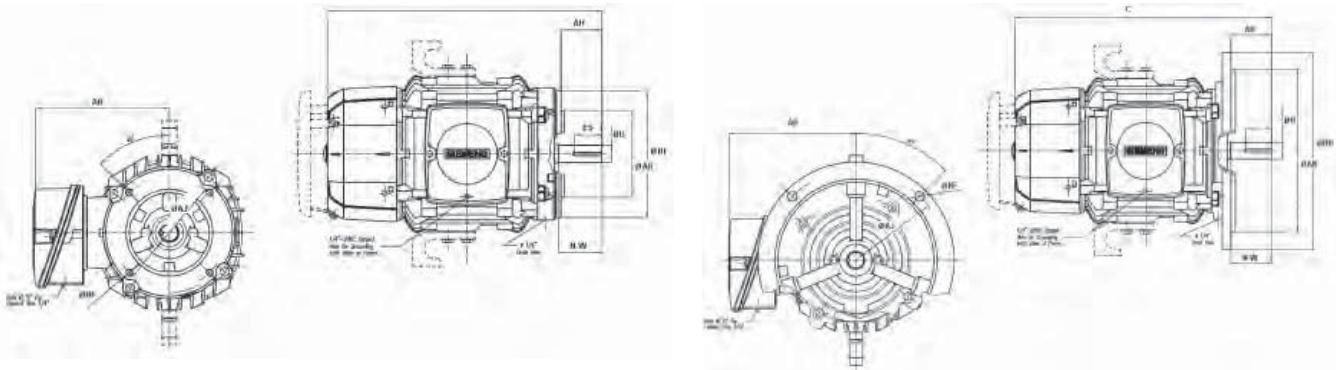
General dimensions

SD100

Severe duty Frames 320-360



Frame	Poles	C	2F	N-W	P	U	BA	AB	2E	D	O	Keyseat		
												R	S	ES
284TS	2	26.0	9.50	3.25	14.4	1.625	4.750	13.39	11.0	7.0	14.27	0.375	1.416	1.88
284TS	4,6	28.0	9.50	3.25	15.8	1.625	4.750	14.33	11.0	7.0	14.87	0.375	1.416	1.88
286TS	2	27.5	11.00	3.25	14.4	1.625	4.750	13.39	11.0	7.0	14.27	0.375	1.416	1.88
286TS	4,6	28.0	11.00	3.25	15.8	1.625	4.750	14.33	11.0	7.0	14.87	0.375	1.416	1.88
324T	4,6	32.1	10.50	5.25	17.7	2.125	5.250	15.99	12.5	8.0	16.66	0.500	1.845	3.88
326T	4,6	32.1	12.00	5.25	17.7	2.125	5.250	15.99	12.5	8.0	16.66	0.500	1.845	3.88
324TS	2	30.0	10.50	3.75	15.8	1.875	5.250	15.50	12.5	8.0	15.90	0.500	1.591	2.00
324TS	4,6	30.6	10.50	3.75	17.7	1.875	5.250	15.99	12.5	8.0	16.66	0.500	1.591	2.00
326TS	2	30.0	12.00	3.75	15.8	1.875	5.250	15.50	12.5	8.0	15.90	0.500	1.591	2.00
326TS	4,6	30.6	12.00	3.75	17.7	1.875	5.250	15.99	12.5	8.0	16.66	0.500	1.591	2.00



Frame	Poles	C-Face						
		BA	AH	AJ	AK	BD	BF #	BF
284TC	4, 6	4.75	4.38	9	10.5	11.25	4	1/2"-13NC
286TC	4,6	4.75	4.38	9	10.5	11.25	4	1/2"-13NC
284TSC	2	4.75	3.00	9	10.5	11.25	4	1/2"-13NC
284TSC	4,6	4.75	3.00	9	10.5	11.25	4	1/2"-13NC
286TSC	2	4.75	3.00	9	10.5	11.25	4	1/2"-13NC
286TSC	4, 6	4.75	3.00	9	10.5	11.25	4	1/2"-13NC
324TC	4, 6	5.25	5.00	11	12.5	14.00	4	5/8"-11NC
326TC	4,6	5.25	5.00	11	12.5	14.00	4	5/8"-11NC
324TSC	2	5.25	3.50	11	12.5	14.00	4	5/8"-11NC
324TSC	4,6	5.25	3.50	11	12.5	14.00	4	5/8"-11NC

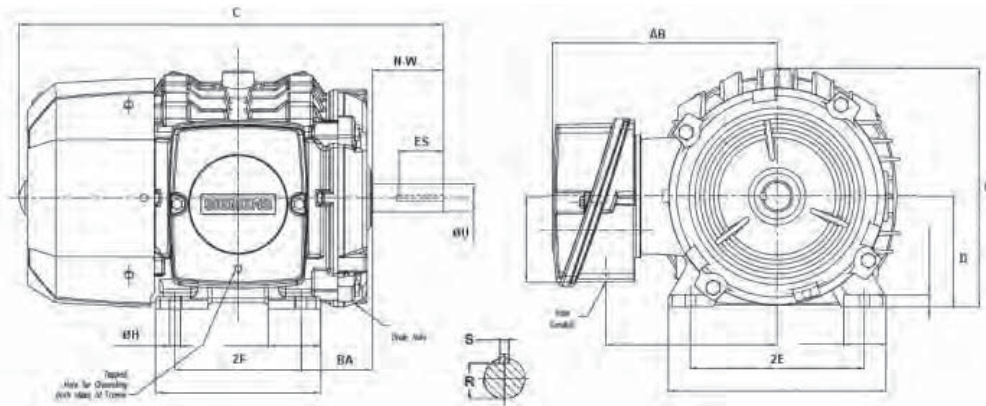
Frame	Poles	D-Flange						
		BA	AH	AJ	AK	BD	BF #	BF
284TSD	2	4.75	4.38	12.5	11.0	14.0	4	0.81
284TSD	4,6	4.75	4.38	12.5	11.0	14.0	4	0.81
286TSD	2	4.75	3.00	12.5	11.0	14.0	4	0.81
286TSD	4,6	4.75	3.00	12.5	11.0	14.0	4	0.81
324TD	4,6	5.25	5.00	16.0	14.0	18.0	4	0.81
326TD	4,6	5.25	5.00	16.0	14.0	18.0	4	0.81
324TSD	2	5.25	5.00	16.0	14.0	18.0	4	0.81
324TSD	4,6	5.25	5.00	16.0	14.0	18.0	4	0.81
326TSD	2	5.25	3.50	16.0	14.0	18.0	4	0.81
326TSD	4,6	5.25	3.50	16.0	14.0	18.0	4	0.81

Dimensions in inches.
Typical dimensions data, not guaranteed.

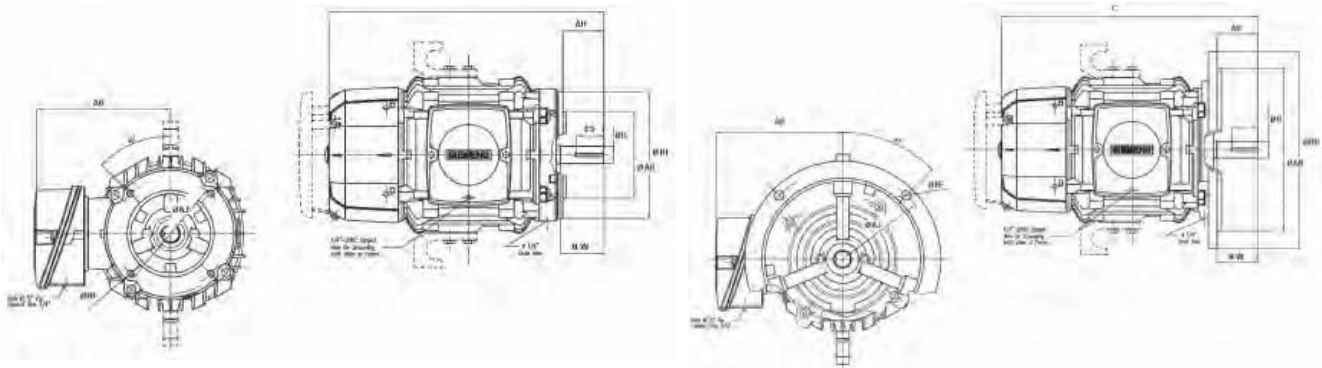
General dimensions

SD100

Severe Duty Frames 320-400



Frame	Poles	C	ZF	N-W	P	U	BA	AB	ZE	D	O	Keyseat		
												R	S	ES
364T	4,6	35.5	11.25	5.88	19.6	2.375	5.880	18.57	14.0	9.0	18.48	2.021	0.625	4.25
365T	4,6	35.5	12.25	5.88	19.6	2.375	5.880	18.57	14.0	9.0	18.48	2.021	0.625	4.25
364TS	2	32.1	11.25	3.75	17.7	1.875	5.880	17.94	14.0	9.0	17.81	1.591	0.500	2.00
364TS	4,6	33.4	11.25	3.75	19.6	1.875	5.880	18.57	14.0	9.0	18.48	1.591	0.500	2.00
365TS	2	32.1	12.25	3.75	17.7	1.875	5.880	17.94	14.0	9.0	17.81	1.591	0.500	2.00
365TS	4,6	33.4	12.25	3.75	19.6	1.875	5.880	18.57	14.0	9.0	18.48	1.591	0.500	2.00
404T	All	39.4	12.25	7.25	19.6	2.875	6.620	18.38	16.0	10.0	19.60	2.450	0.750	5.63
405T	All	39.4	13.75	7.25	19.6	2.875	6.620	18.38	16.0	10.0	19.60	2.450	0.750	5.63
404TS	All	36.4	12.25	4.25	19.6	2.125	6.620	18.38	16.0	10.0	19.60	1.845	0.500	2.75
405TS	All	36.4	13.75	4.25	19.6	2.125	6.620	18.38	16.0	10.0	19.60	1.845	0.500	2.75



Frame	Poles	C-Face						
		BA	AH	AJ	AK	BD	BF #	BF
326TSC	2	5.25	3.50	11	12.5	14.00	4	5/8"-11NC
326TSC	4,6	5.25	3.50	11	12.5	14.00	4	5/8"-11NC
364TC	4,6	5.88	5.63	11	12.5	12.75	8	5/8"-11NC
365TC	4,6	5.88	5.63	11	12.5	12.75	8	5/8"-11NC
364TSC	2	5.88	3.50	11	12.5	14.00	8	5/8"-11NC
364TSC	4,6	5.88	3.50	11	12.5	12.75	8	5/8"-11NC
365TSC	2	5.88	3.50	11	12.5	14.00	8	5/8"-11NC
365TSC	4,6	5.88	3.50	11	12.5	12.75	8	5/8"-11NC
404TC	All	6.62	7.00	11	12.5	15.50	8	5/8"-11NC
405TC	All	6.62	7.00	11	12.5	15.50	8	5/8"-11NC
404TSC	All	6.62	4.00	11	12.5	15.50	8	5/8"-11NC

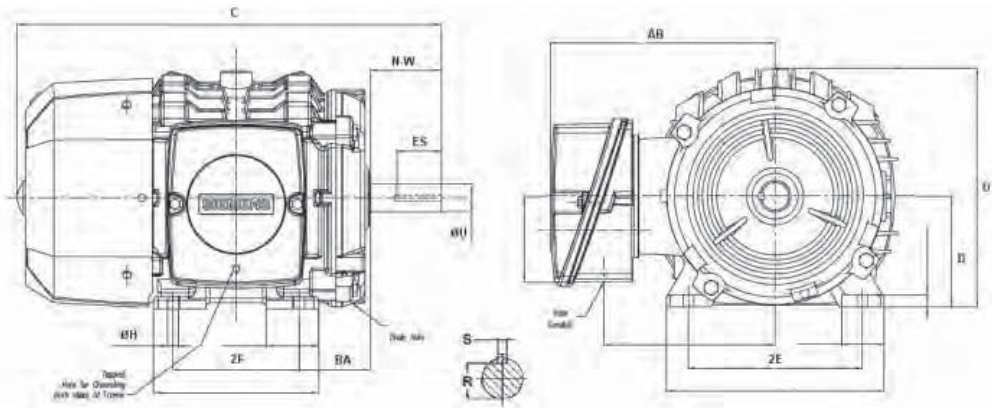
Frame	Poles	D-Flange						
		BA	AH	AJ	AK	BD	BF #	BF
364TD	4,6	5.88	5.63	16	14.0	18.00	4	0.81
365TD	4,6	5.88	5.63	16	14.0	18.00	4	0.81
364TSD	2	5.88	3.50	16	14.0	18.00	4	0.81
364TSD	4,6	5.88	3.50	16	14.0	18.00	4	0.81
365TSD	2	5.88	3.50	16	14.0	18.00	4	0.81
365TSD	4,6	5.88	3.50	16	14.0	18.00	4	0.81
404TD	All	6.62	7.00	20	18.0	22.00	8	0.81
405TD	All	6.62	7.00	20	18.0	22.00	8	0.81
404TSD	All	6.62	4.00	20	18.0	22.00	8	0.81
405TSD	All	6.62	4.00	20	18.0	22.00	8	0.81

Dimensions in inches.
Typical dimensions data, not guaranteed.

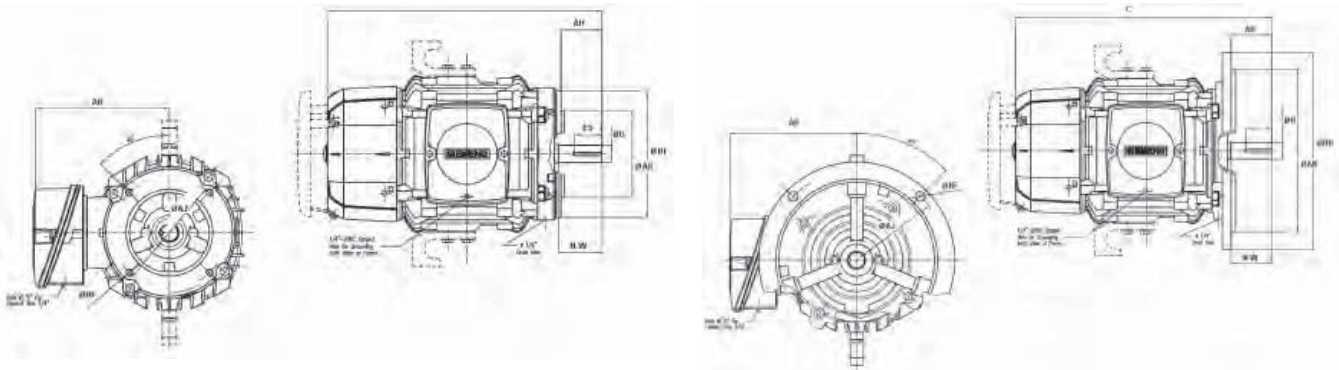
General dimensions

SD100

Severe duty Frames 400-S440



Frame	Poles	C	2F	N-W	P	U	BA	AB	2E	D	O	Keyseat		
												R	S	ES
444T	All	45.6	14.50	8.50	21.8	3.375	7.500	19.63	18.0	11.0	21.80	2.880	0.875	6.88
445T	All	45.6	16.50	8.50	21.8	3.375	7.500	19.63	18.0	11.0	21.80	2.880	0.875	6.88
444TS	All	41.8	14.50	4.75	21.8	2.375	7.500	19.63	18.0	11.0	21.80	2.021	0.625	3.05
445TS	All	41.8	16.50	4.75	21.8	2.375	7.500	19.63	18.0	11.0	21.80	2.021	0.625	3.05
447T	All	49.0	20.00	8.50	21.8	3.375	7.500	19.63	18.0	11.0	22.00	2.880	0.875	6.88
447TS	All	45.3	20.00	4.75	21.8	2.375	7.500	19.63	18.0	11.0	22.00	2.021	0.625	3.05
449T	All	54.0	25.00	8.50	21.8	3.375	7.500	22.00	18.0	11.0	22.00	2.880	0.875	6.88
449TS	All	50.3	25.00	4.75	21.8	2.375	7.500	22.00	18.0	11.0	22.00	2.021	0.625	3.05
S449LS	All	63.6	25.00	9.12	24.6	3.625	7.500	23.00	18.0	11.0	23.30	3.134	0.875	7.50
S449SS	All	59.8	25.00	5.25	24.6	2.625	7.500	23.00	18.0	11.0	23.30	2.275	0.625	3.50
S449SS	2 ¹⁾	63.2	25.00	5.25	24.6	2.625	7.500	23.00	18.0	11.0	23.30	2.275	0.625	3.50



Frame	Poles	C-Face						
		BA	AH	AJ	AK	BD	BF #	BF
405TSC	All	6.62	4.00	11	12.5	15.50	8	5/8"-11NC
444TC	All	7.50	8.25	14	16.0	18.00	8	5/8"-11NC
445TC	All	7.50	8.25	14	16.0	18.00	8	5/8"-11NC
444TSC	All	7.50	4.50	14	16.0	18.00	8	5/8"-11NC
445TSC	All	7.50	4.50	14	16.0	18.00	8	5/8"-11NC
447TC	All	7.50	8.25	14	16.0	18.00	8	5/8"-11NC
447TSC	All	7.50	4.50	14	16.0	18.00	8	5/8"-11NC
449TC	All	7.50	8.25	14	16.0	18.00	8	5/8"-11NC
449TSC	All	7.50	4.50	14	16.0	18.00	8	5/8"-11NC
S449LSC	All	7.50	8.25	14	16.0	18.00	8	5/8"-11NC
S449SSC	All	7.50	4.50	14	16.0	18.00	8	5/8"-11NC

Frame	Poles	D-Flange						
		BA	AH	AJ	AK	BD	BF #	BF
444TD	All	7.5	8.50	20	18.0	22.00	8	0.81
445TD	All	7.5	8.50	20	18.0	22.00	8	0.81
444TSD	All	7.5	4.75	20	18.0	22.00	8	0.81
445TSD	All	7.5	4.75	20	18.0	22.00	8	0.81
447TD	All	7.5	8.50	20	18.0	22.00	8	0.81
447TSD	All	7.5	4.75	20	18.0	22.00	8	0.81
449TD	All	7.5	8.50	20	18.0	22.00	8	0.81
449TSD	All	7.5	4.75	20	18.0	22.00	8	0.81
S449LSD	All	7.5	8.50	20	18.0	22.00	8	0.81
S449SSD	All	7.5	4.75	20	18.0	22.00	8	0.81

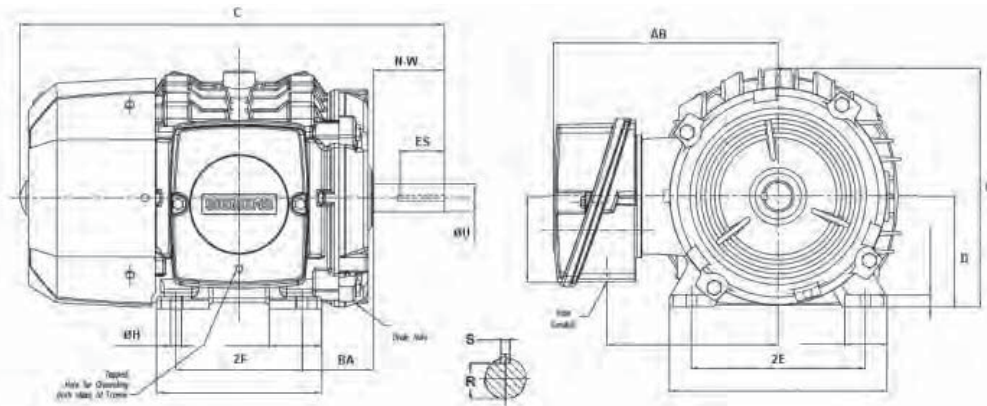
1) Only for 400HP
Dimensions in inches.

Typical dimensions data, not guaranteed.

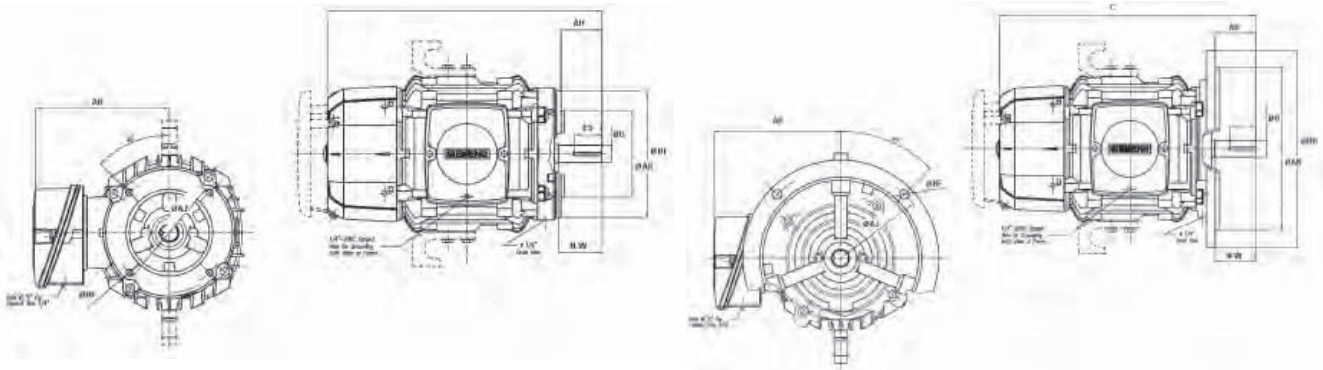
General dimensions

SD100 IEEE841

Severe duty Frames 140-250



Frame	Poles	C	2F	N-W	P	U	BA	AB	2E	D	O	Keyseat		
												R	S	ES
143T	2,4,6,8	14.0	4.00	1.77	8.1	0.875	2.73	7.050	5.5	3.50	7.42	0.771	0.188	1.41
145T	2,4,6,8	14.0	5.00	1.77	8.1	0.875	2.73	7.050	5.5	3.50	7.42	0.771	0.188	1.41
182T	2,8	14.8	4.50	2.46	9.0	1.125	3.03	8.000	7.5	4.50	9.00	0.986	0.250	1.78
182T	4,6	16.2	4.50	2.46	10.8	1.125	3.03	8.580	7.5	4.50	9.74	0.986	0.250	1.78
184T	2,8	15.9	5.50	2.46	9.0	1.125	3.03	8.000	7.5	4.50	9.00	0.986	0.250	1.78
184T	4,6	16.2	5.50	2.46	10.8	1.125	3.03	8.580	7.5	4.50	9.74	0.986	0.250	1.78
213T	2,8	18.2	5.50	2.88	10.6	1.375	4.00	9.400	8.5	5.25	10.43	1.201	0.312	2.41
213T	4,6	20.3	5.50	2.85	12.2	1.375	4.03	10.630	8.5	5.25	11.35	1.201	0.312	2.41
215T	2,8	19.7	7.00	2.88	10.6	1.375	4.00	9.400	8.5	5.25	10.43	1.201	0.312	2.41
215T	4,6	20.3	7.00	2.85	12.2	1.375	4.03	10.630	8.5	5.25	11.35	1.201	0.312	2.41
254T	2,8	23.2	8.25	3.55	12.7	1.625	4.70	10.650	10.0	6.25	12.33	1.416	0.375	2.91



Frame	Poles	C-Face						
		BA*	AH	AJ	AK	BD	BF #	BF
143TC	2,4,6	2.38	2.12	5.875	4.5	6.50	4	3/8"-16NC
145TC	2,4,6	2.38	2.12	5.875	4.5	6.50	4	3/8"-16NC
182TC	2	2.87	2.62	7.250	8.5	9.00	4	1/2"-13NC
182TC	4,6	2.87	2.62	7.250	8.5	9.00	4	1/2"-13NC
182TCH	2	2.87	2.62	5.875	4.5	6.50	4	1/2"-13NC
182TCH	4,6	2.87	2.62	5.875	4.5	6.50	4	1/2"-13NC
184TC	2	2.87	2.62	7.250	8.5	9.00	4	1/2"-13NC
184TC	4,6	2.87	2.62	7.250	8.5	9.00	4	1/2"-13NC
184TCH	2	2.87	2.62	5.875	4.5	6.50	4	1/2"-13NC
184TCH	4,6	2.87	2.62	5.875	4.5	6.50	4	1/2"-13NC
213TC	2	3.72	3.12	7.250	8.5	9.00	4	1/2"-13NC
213TC	4,6	3.72	3.12	7.250	8.5	9.00	4	1/2"-13NC

Frame	Poles	D-Flange						
		BA*	AH	AJ	AK	BD	BF #	BF
143TD	2,4,6	2.38	2.25	10.0	9.0	11.00	4	0.53
145TD	2,4,6	2.38	2.25	10.0	9.0	11.00	4	0.53
182TD	2	2.87	2.75	10.0	9.0	11.00	4	0.53
182TD	4,6	2.87	2.75	10.0	9.0	11.00	4	0.53
184TD	2	2.87	2.75	10.0	9.0	11.00	4	0.53
184TD	4,6	2.87	2.75	10.0	9.0	11.00	4	0.53
213TD	2	3.72	3.32	10.0	9.0	11.00	4	0.53
213TD	4,6	3.72	3.32	10.0	9.0	11.00	4	0.53
215TD	2	3.72	3.32	10.0	9.0	11.00	4	0.53
215TD	4,6	3.72	3.32	10.0	9.0	11.00	4	0.53
254TD	2	4.42	4.00	12.5	11.0	14.00	4	0.81

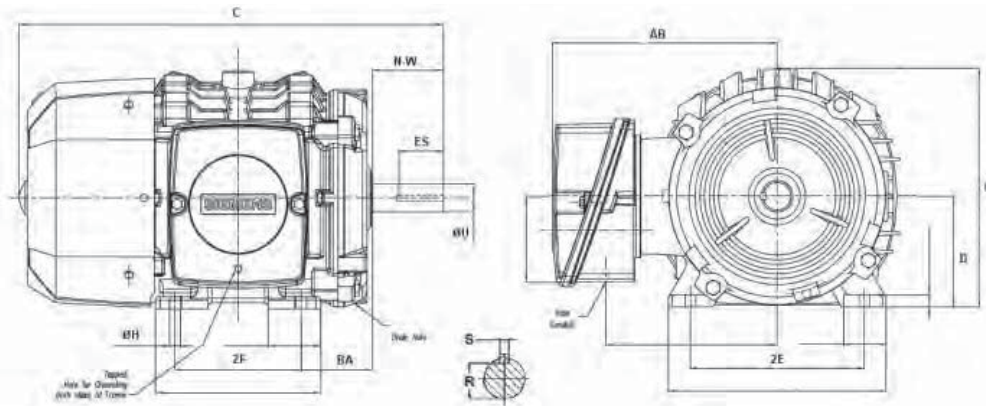
Dimensions in inches.
Typical dimensions data, not guaranteed.

*Not according to NEMA.

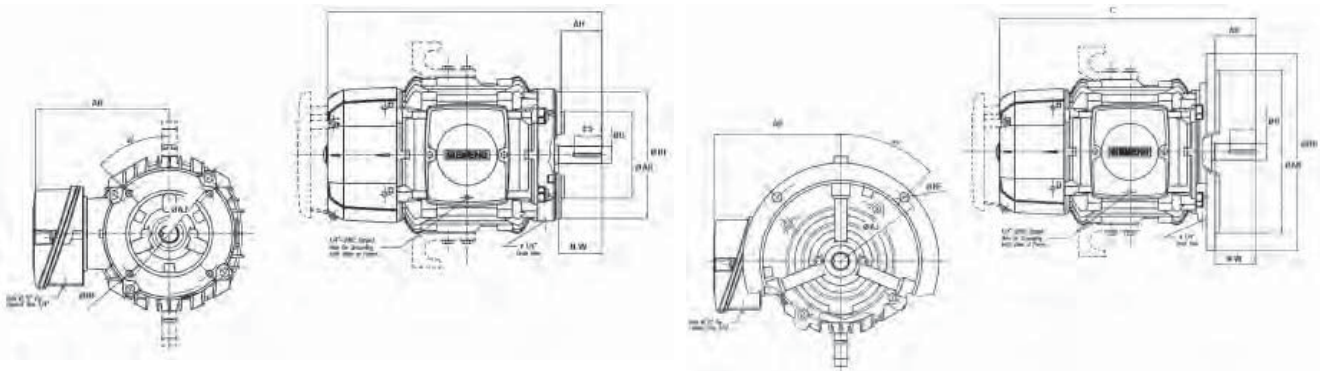
General dimensions

SD100 IEEE841

Severe duty
Frames 280-360



Frame	Poles	C	ZF	N-W	P	U	BA	AB	ZE	Keyseat				
										D	O	R	S	ES
324T	8	31.5	10.50	4.75	15.8	2.125	5.75	15.500	12.5	8.0	15.90	1.845	0.500	3.88
324T	4,6	32.1	10.50	4.69	17.7	2.125	5.80	15.990	12.5	8.0	16.66	1.845	0.500	3.88
326T	8	31.5	12.00	4.75	15.8	2.125	5.75	15.500	12.5	8.0	15.90	1.845	0.500	3.88
326T	4,6	32.1	12.00	4.69	17.7	2.125	5.80	15.990	12.5	8.0	16.66	1.845	0.500	3.88
324TS	2	30.0	10.50	3.25	15.8	1.875	5.75	15.500	12.5	8.0	15.90	1.591	0.500	2.00
324TS	4,6	30.6	10.50	3.25	17.7	1.875	5.75	15.990	12.5	8.0	16.66	1.591	0.500	2.00
326TS	2	30.0	12.00	3.25	15.8	1.875	5.75	15.500	12.5	8.0	15.90	1.591	0.500	2.00
326TS	4,6	30.6	12.00	3.25	17.7	1.875	5.75	15.990	12.5	8.0	16.66	1.591	0.500	2.00
364T	8	34.2	11.25	5.44	17.7	2.375	6.31	17.940	14.0	9.0	17.81	2.021	0.625	4.25
364T	4,6	35.5	11.25	5.40	19.6	2.375	6.35	18.570	14.0	9.0	18.48	2.021	0.625	4.25
365T	8	34.2	12.25	5.44	17.7	2.375	6.31	17.940	14.0	9.0	17.81	2.021	0.625	4.25



Frame	Pole	C-Face						
		BA*	AH	AJ	AK	BD	BF #	BF
286TSC	2	5.29	3.00	9	10.5	11.25	4	1/2"-13NC
286TSC	4,6	5.29	3.00	9	10.5	11.25	4	1/2"-13NC
324TC	4,6	5.8	5.00	11	12.5	14.00	4	5/8"-11NC
324TC	4,6	5.8	5.00	11	12.5	14.00	4	5/8"-11NC
326TC	4,6	5.8	5.00	11	12.5	14.00	4	5/8"-11NC
326TC	4,6	5.8	5.00	11	12.5	14.00	4	5/8"-11NC
324TSC	2	5.75	3.50	11	12.5	14.00	4	5/8"-11NC
324TSC	4,6	5.75	3.50	11	12.5	14.00	4	5/8"-11NC
326TSC	2	5.75	3.50	11	12.5	14.00	4	5/8"-11NC
326TSC	4,6	5.75	3.50	11	12.5	14.00	4	5/8"-11NC
364TC	4,6	6.35	5.63	11	12.5	12.75	8	5/8"-11NC
365T	4,6	6.35	5.63	11	12.5	12.75	8	5/8"-11NC

Frame	Poles	D-Flange						
		BA*	AH	AJ	AK	BD	BF #	BF
324TD	4,6	6.25	5.25	16	14.0	18.00	4	0.81
324TD	4,6	6.25	5.25	16	14.0	18.00	4	0.81
326TD	4,6	6.25	5.25	16	14.0	18.00	4	0.81
326TD	4,6	6.25	5.25	16	14.0	18.00	4	0.81
324TSD	2	6.25	3.75	16	14.0	18.00	4	0.81
324TSD	4,6	6.25	3.75	16	14.0	18.00	4	0.81
326TSD	2	6.25	3.75	16	14.0	18.00	4	0.81
326TSD	4,6	6.25	3.75	16	14.0	18.00	4	0.81
364TD	8	6.75	5.88	16	14.0	18.00	4	0.81
364TD	4,6	6.75	5.88	16	14.0	18.00	4	0.81
365TD	4,6	6.75	5.88	16	14.0	18.00	4	0.81

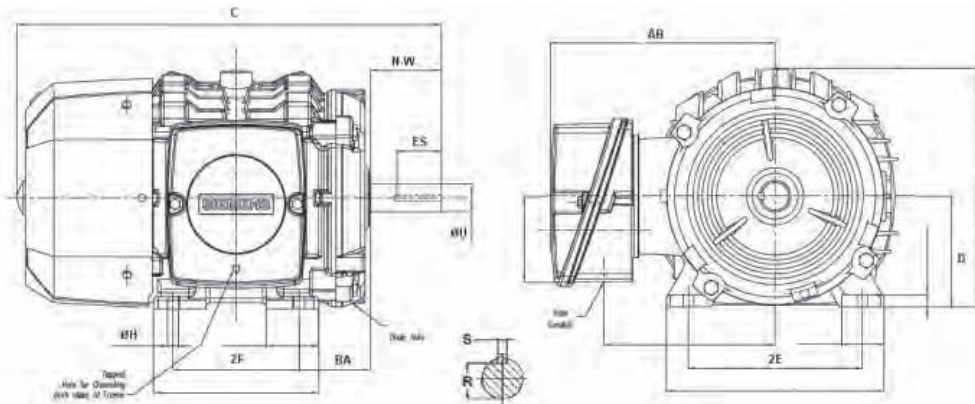
Dimensions in inches.
Typical dimensions data, not guaranteed.

*Not according to NEMA.

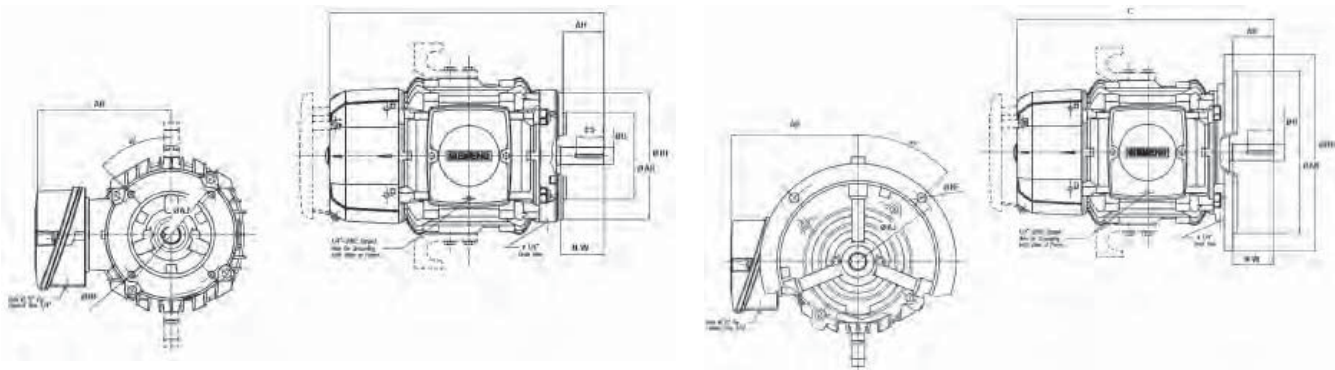
General dimensions

SD100 IEEE841

Severe duty
Frames 360-440



Frame	Poles	C	2F	N-W	P	U	BA	AB	2E	D	O	Keyseat		
												R	S	ES
365T	4,6	35.5	12.25	5.40	19.6	2.375	6.35	18.570	14.0	9.0	18.48	2.021	0.625	4.25
364TS	2	32.1	11.25	3.31	17.7	1.875	6.31	17.940	14.0	9.0	17.81	1.591	0.500	2.00
364TS	4,6	33.4	11.25	3.28	19.6	1.875	6.35	18.570	14.0	9.0	18.48	1.591	0.500	2.00
365TS	2	32.1	12.25	3.31	17.7	1.875	6.31	17.940	14.0	9.0	17.81	1.591	0.500	2.00
365TS	4,6	33.4	12.25	3.28	19.6	1.875	6.35	18.570	14.0	9.0	18.48	1.591	0.500	2.00
404T	All	39.4	12.25	6.78	19.6	2.875	7.10	18.380	16.0	10.0	19.60	2.450	0.750	5.63
405T	All	39.4	13.75	6.78	19.6	2.875	7.10	18.380	16.0	10.0	19.60	2.450	0.750	5.63
404TS	All	36.4	12.25	3.50	19.6	2.125	7.38	18.380	16.0	10.0	19.60	1.845	0.500	2.75
405TS	All	36.4	13.75	3.50	19.6	2.125	7.38	18.380	16.0	10.0	19.60	1.845	0.500	2.75
444T	All	45.6	14.50	8.10	21.8	3.375	7.90	19.630	18.0	11.0	21.80	2.880	0.875	6.88
445T	All	45.6	16.50	8.10	21.8	3.375	7.90	19.630	18.0	11.0	21.80	2.880	0.875	6.88



Frame	Poles	C-Face						
		BA*	AH	AJ	AK	BD	BF #	BF
365TC	4,6	6.35	5.63	11	12.5	12.75	8	5/8"-11NC
365TC	4,6	6.35	5.63	11	12.5	12.75	8	5/8"-11NC
364TSC	2	6.31	3.50	11	12.5	14.00	8	5/8"-11NC
364TSC	4,6	6.35	3.50	11	12.5	12.75	8	5/8"-11NC
365TSC	2	6.31	3.50	11	12.5	14.00	8	5/8"-11NC
365TSC	4,6	6.35	3.50	11	12.5	12.75	8	5/8"-11NC
404TC	All	7.10	7.00	11	12.5	15.50	8	5/8"-11NC
405TC	All	7.10	7.00	11	12.5	15.50	8	5/8"-11NC
404TSC	All	7.38	4.00	11	12.5	15.50	8	5/8"-11NC
405TSC	All	7.38	4.00	11	12.5	15.50	8	5/8"-11NC
444TC	All	7.90	8.25	14	16.0	18.00	8	5/8"-11NC
445TC	All	7.90	8.25	14	16.0	18.00	8	5/8"-11NC

Frame	Poles	D-Flange						
		BA*	AH	AJ	AK	BD	BF #	BF
365TD	4,6	6.75	5.88	16	14.0	18.00	4	0.81
364TSD	2	6.75	3.75	16	14.0	18.00	4	0.81
364TSD	4,6	6.75	3.75	16	14.0	18.00	4	0.81
365TSD	2	6.75	3.75	16	14.0	18.00	4	0.81
365TSD	4,6	6.75	3.75	16	14.0	18.00	4	0.81
404TD	All	7.07	7.25	20	18.0	22.00	8	0.81
405TD	All	7.07	7.25	20	18.0	22.00	8	0.81
404TSD	All	7.38	4.25	20	18.0	22.00	8	0.81
405TSD	All	7.38	4.25	20	18.0	22.00	8	0.81
444TD	All	8.38	8.50	20	18.0	22.00	8	0.81
445TD	All	8.38	8.50	20	18.0	22.00	8	0.81

Dimensions in inches.
Typical dimensions data, not guaranteed.

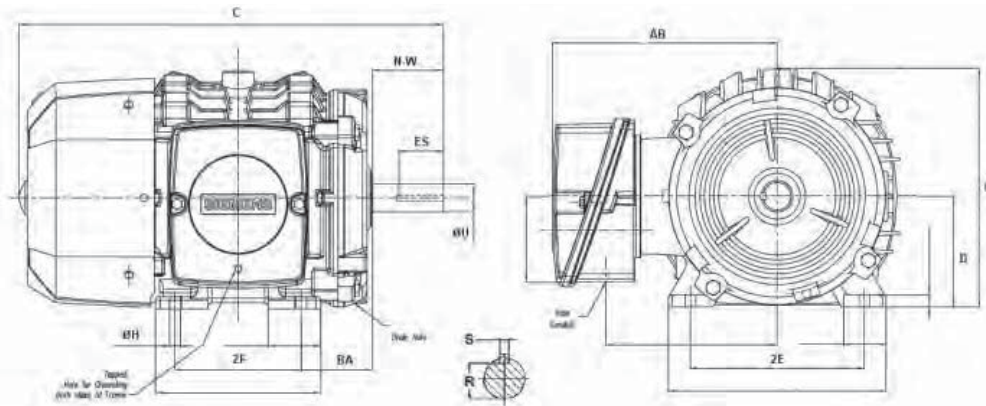
*Not according to NEMA.

Introduction
General Purpose Motors
Severe Duty Motors
Hazardous Duty Motors
Definite Purpose Motors
QuickMOD Detail
Custom Options Detail
Typical Performance Data
General Dimensions
Part Number Index

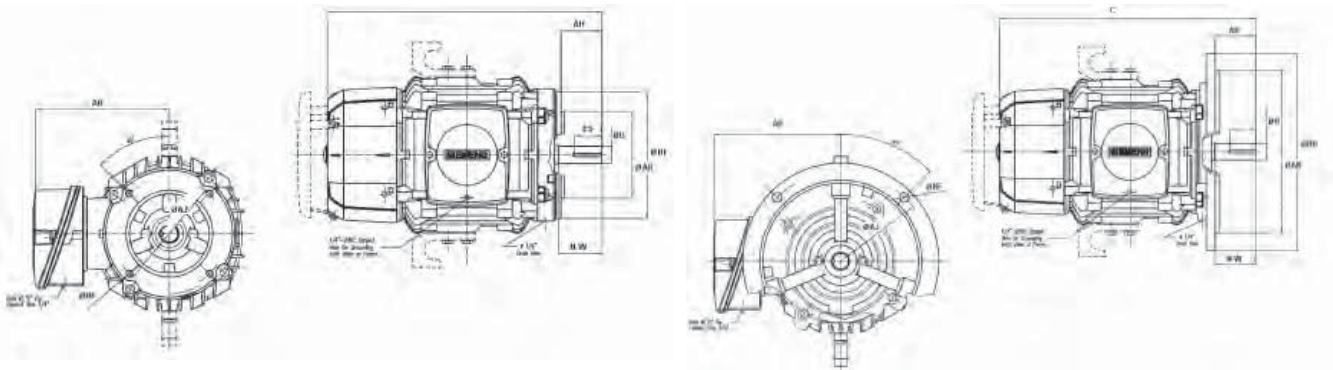
General dimensions

SD100 IEEE841

Severe duty Frames 440-S440



Frame	Poles	C	2F	N-W	P	U	BA	AB	2E	D	O	Keyseat		
												R	S	ES
444TS		41.8	14.50	4.00	21.8	2.375	8.25	19.630	18.0	11.0	21.80	2.021	0.625	3.05
445TS		41.8	16.50	4.00	21.8	2.375	8.25	19.630	18.0	11.0	21.80	2.021	0.625	3.05
447T		49.0	20.00	8.03	21.8	3.375	7.96	19.630	18.0	11.0	22.00	2.880	0.875	6.88
447TS		45.3	20.00	4.00	21.8	2.375	8.25	19.630	18.0	11.0	22.00	2.021	0.625	3.05
449T		54.0	25.00	8.03	21.8	3.375	7.96	22.000	18.0	11.0	22.00	2.880	0.875	6.88
449TS		50.3	25.00	4.00	21.8	2.375	8.25	22.000	18.0	11.0	22.00	2.021	0.625	3.05
S449LS		63.6	25.00	8.67	24.6	3.625	7.95	23.000	18.0	11.0	23.30	3.134	0.875	7.50
S449LS	••	66.7	25.00	8.67	24.6	3.625	7.95	23.000	18.0	11.0	23.30	3.134	0.875	7.50
S449SS		59.8	25.00	4.59	24.6	2.625	8.16	23.000	18.0	11.0	23.30	2.275	0.625	3.50
S449SS	•	63.2	25.00	4.59	24.6	2.625	8.16	23.000	18.0	11.0	23.30	2.275	0.625	3.50



Frame	Poles	C-Face						
		BA*	AH	AJ	AK	BD	BF #	BF
444TSC		8.25	4.50	14	16.0	18.00	8	5/8"-11NC
445TSC		8.25	4.50	14	16.0	18.00	8	5/8"-11NC
447TC		7.96	8.25	14	16.0	18.00	8	5/8"-11NC
447TSC		8.25	4.50	14	16.0	18.00	8	5/8"-11NC
449TC		7.96	8.25	14	16.0	18.00	8	5/8"-11NC
449TSC		8.25	4.50	14	16.0	18.00	8	5/8"-11NC
S449LS		7.95	8.25	14	16.0	18.00	8	5/8"-11NC
S449LS	4 2)	7.95	8.25	14	16.0	18.00	8	5/8"-11NC
S449SS		8.16	4.50	14	16.0	18.00	8	5/8"-11NC
S449SS	2 1)	8.16	4.50	14	16.0	18.00	8	5/8"-11NC

Frame	Poles	D-Flange						
		BA*	AH	AJ	AK	BD	BF #	BF
444TSD		8.38	4.75	20	18.0	22.00	8	0.81
445TSD		8.38	4.75	20	18.0	22.00	8	0.81
447TD		8.38	8.5	20	18.0	22.00	8	0.81
447TSD		8.38	4.75	20	18.0	22.00	8	0.81
449TD		8.38	8.5	20	18.0	22.00	8	0.81
449TSD		8.38	4.75	20	18.0	22.00	8	0.81
S449LS		7.95	7.95	20	18.0	22.00	8	0.81
S449LS	2 1)	7.95	7.95	20	18.0	22.00	8	0.81
S449SS		8.16	8.16	20	18.0	22.00	8	0.81
S449SS	4 2)	8.16	8.16	20	18.0	22.00	8	0.81

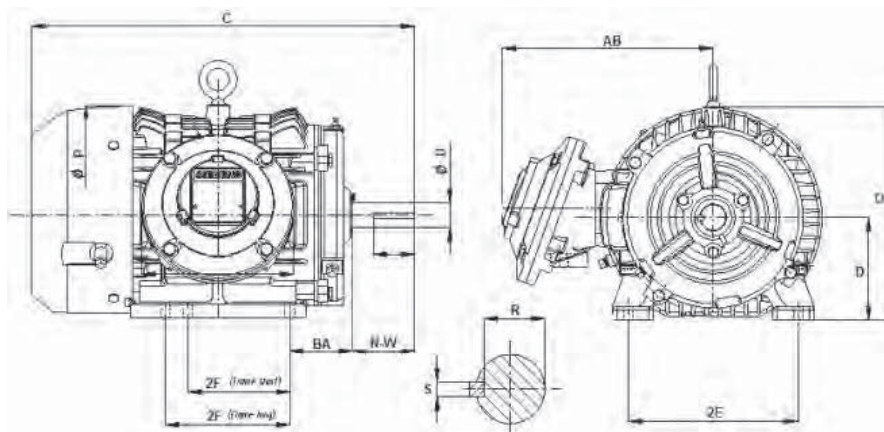
1) Only for 400HP.
2) Only for 300, 350 and 400HP.
Dimensions in inches.

Typical dimensions data, not guaranteed.
* Not according to NEMA.

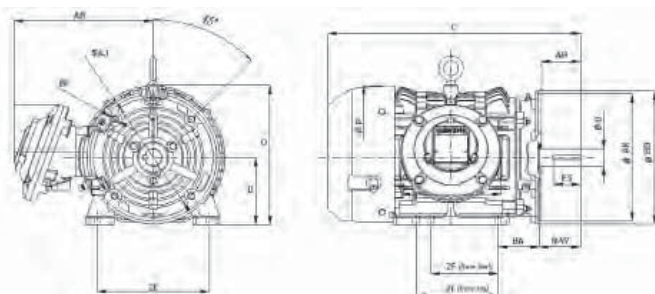
General dimensions

XP100 / XP100 ID1

Explosion proof Frames 140-250



Frame	Poles	C	2F	N-W	P	U	BA	AB	2E	D	O	Keyseat		
												R	S	ES
143T	All	15.27	4.00	2.25	8.2	0.875	2.25	8.75	5.5	3.50	9.19	0.771	0.188	1.42
145T	All	15.27	5.00	2.25	8.2	0.875	2.25	8.75	5.5	3.50	9.19	0.771	0.188	1.42
182T	All	16.87	4.50	2.75	9.6	1.125	2.75	9.30	7.5	4.50	9.34	0.990	0.250	1.78
184T	All	16.87	5.50	2.75	9.6	1.125	2.75	9.30	7.5	4.50	9.34	0.986	0.250	1.78
213T	All	19.97	5.50	3.38	10.7	1.375	3.50	10.54	8.5	5.25	10.68	1.201	0.312	2.44
215T	All	19.97	7.00	3.38	10.7	1.375	3.50	10.54	8.5	5.25	10.68	1.201	0.312	2.44
254T	All	25.77	8.25	4.00	12.9	1.625	4.25	11.52	10.0	6.25	12.67	1.416	0.375	2.91
256T	All	25.77	10.00	4.00	12.9	1.625	4.25	11.52	10.0	6.25	12.67	1.416	0.375	2.91



Frame	Poles	C-Face						
		BA*	AH	AJ	AK	BD	BF #	BF
143TC	All	2.25	2.12	4.500	5.875	6.600	4	3/8-16NC
145TC	All	2.25	2.12	4.500	5.875	6.600	4	3/8-16NC
182TC	All	2.75	2.62	8.500	7.250	8.900	4	1/2-13NC
184TC	All	2.75	2.62	8.500	7.250	8.900	4	1/2-13NC
213TC	All	3.50	3.12	8.500	7.250	8.900	4	1/2-13NC
215TC	All	3.50	3.12	8.500	7.250	8.900	4	1/2-13NC
254TC	All	4.23	3.75	8.500	7.250	9.290	4	1/2-13NC
256TC	All	4.25	3.75	8.500	7.250	9.290	4	1/2-13NC

Dimensions in inches.

Typical dimensions data, not guaranteed.

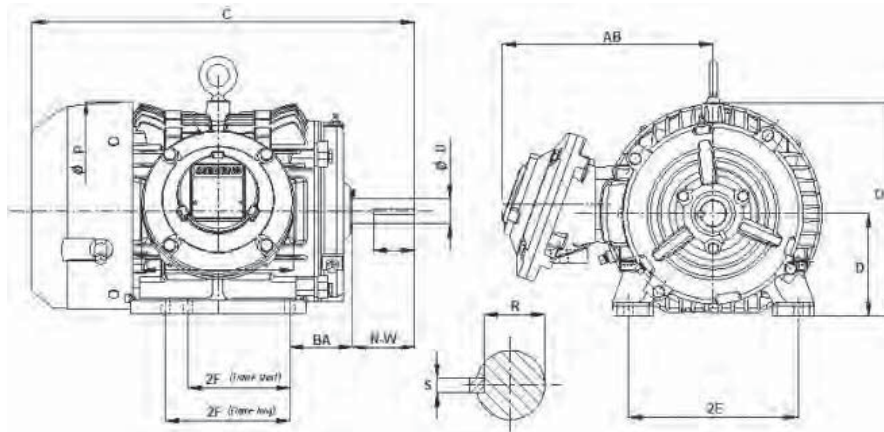
* Not according to NEMA.

General
Purpose MotorsSevere
Duty MotorsHazardous
Duty MotorsDefinite
Purpose MotorsQuickMOD
DetailCustom
Options DetailTypical
Performance DataGeneral
DimensionsPart Number
Index

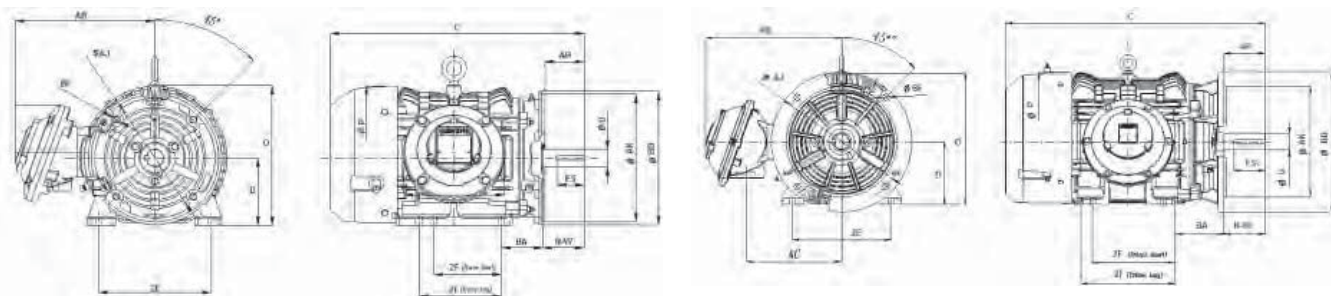
General dimensions

XP100 / XP100 ID1

Explosion proof
Frames 280-320



Frame	Poles	C	2F	N-W	P	U	BA	AB	2E	D	O	Keyseat		
												R	S	ES
284T	All	29.40	9.50	4.62	15.8	1.875	4.75	12.85	11.0	7	14.85	1.590	0.500	3.28
286T	All	29.40	11.0	4.62	15.8	1.875	4.75	12.85	11.0	7	14.85	1.590	0.500	3.28
284TS	All	28.03	9.50	3.25	15.8	1.625	4.75	12.85	11.0	7	14.85	1.420	0.375	1.91
286TS	All	28.03	11.0	3.25	15.8	1.625	4.75	12.85	11.0	7	14.85	1.420	0.375	1.91
324T	All	32.08	10.5	5.25	17.7	2.120	5.25	17.35	12.5	8	16.69	1.845	0.500	3.91
326T	All	32.08	12.0	5.25	17.7	2.120	5.25	17.35	12.5	8	16.69	1.845	0.500	3.91
324TS	All	30.58	10.5	3.75	17.7	1.870	5.25	17.35	12.5	8	16.69	1.591	0.500	2.03
326TS	All	30.58	12.0	3.75	17.7	1.870	5.25	17.35	12.5	8	16.69	1.591	0.500	2.03



Frame	Poles	C-Face						
		BA	AH	AJ	AK	BD	BF #	BF
284T	All	4.75	4.38	9	10.5	11.25	4	1/2"-13NC
286T	All	4.75	4.38	9	10.5	11.25	4	1/2"-13NC
284TS	All	4.75	3.00	9	10.5	11.25	4	1/2"-13NC
286TS	All	4.75	3.00	9	10.5	11.25	4	1/2"-13NC
324T	All	5.25	5.00	11	12.5	14.00	4	5/8"-11NC
326T	All	5.25	5.00	11	12.5	14.00	4	5/8"-11NC
324TS	All	5.25	3.50	11	12.5	14.00	4	5/8"-11NC
326TS	All	5.25	3.50	11	12.5	14.00	4	5/8"-11NC

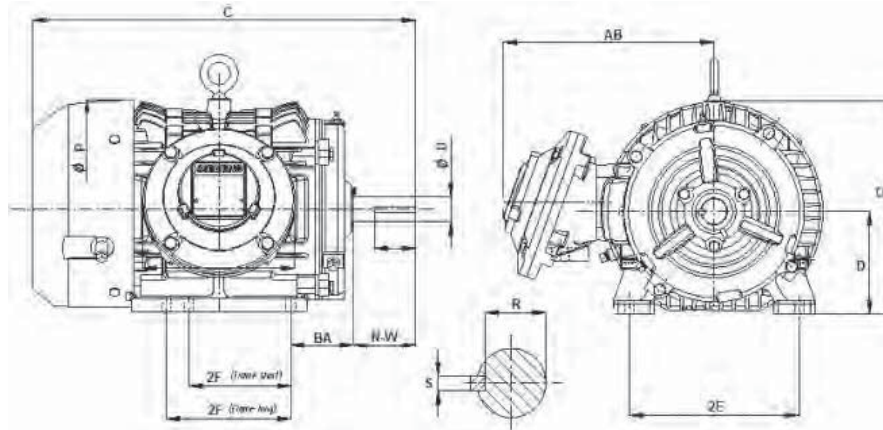
Frame	Poles	D-Flange						
		BA	AH	AJ	AK	BD	BF #	BF
284TD	All	4.75	4.38	12.5	11.0	13.88	4	0.81
286TD	All	4.75	4.38	12.5	11.0	13.88	4	0.81
284TSD	All	4.75	3.00	12.5	11.0	13.88	4	0.81
286TSD	All	4.75	3.00	12.5	11.0	13.88	4	0.81
324TD	All	5.25	5.00	16.0	14.0	17.87	4	0.81
326TD	All	5.25	5.00	16.0	14.0	17.87	4	0.81
324TSD	All	5.25	3.50	16.0	14.0	17.87	4	0.81
326TSD	All	5.25	3.50	16.0	14.0	17.87	4	0.81

Dimensions in inches.
Typical dimensions data, not guaranteed.

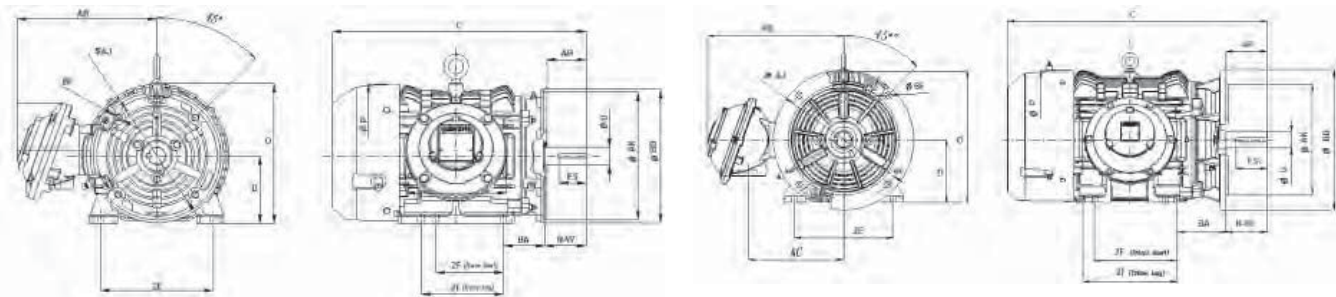
General dimensions

XP100 / XP100 ID1

Explosion proof Frames 360-400



Frame	Poles	C	2F	N-W	P	U	BA	AB	2E	D	O	Keyseat		
												R	S	ES
364T	All	35.28	11.25	5.87	19.6	2.370	5.88	18.18	14	9	18.65	2.020	0.625	4.28
365T	All	35.28	12.25	5.87	19.6	2.370	5.88	18.18	14	9	18.65	2.020	0.625	4.28
364TS	All	33.16	11.25	3.75	19.6	1.875	5.88	18.18	14	9	18.65	1.590	0.500	2.03
365TS	All	33.16	12.25	3.75	19.6	1.875	5.88	18.18	14	9	18.65	1.590	0.500	2.03
404T	All	39.52	12.25	7.25	19.6	2.870	6.62	20.34	16	10	19.61	2.450	0.750	5.65
405T	All	39.52	13.75	7.25	19.6	2.870	6.62	20.34	16	10	19.61	2.450	0.750	5.65
404TS	All	36.52	12.25	4.25	19.6	2.120	6.62	20.34	16	10	19.61	1.845	0.500	2.78
405TS	All	36.52	13.75	4.25	19.6	2.120	6.62	20.34	16	10	19.61	1.845	0.500	2.78



Frame	Poles	C-Face						
		BA*	AH	AJ	AK	BD	BF #	BF
364TC	All	6.62	5.62	11	12.5	14.00	8	5/8"-11NC
365TC	All	6.62	5.62	11	12.5	14.00	8	5/8"-11NC
364TSC	All	6.62	3.50	11	12.5	14.00	8	5/8"-11NC
365TSC	All	6.62	3.50	11	12.5	14.00	8	5/8"-11NC
404TC	All	6.62	7.00	11	12.5	15.50	8	5/8"-11NC
405TC	All	6.62	7.00	11	12.5	15.50	8	5/8"-11NC
404TSC	All	6.62	4.00	11	12.5	15.50	8	5/8"-11NC
405TSC	All	6.62	4.00	11	12.5	15.50	8	5/8"-11NC

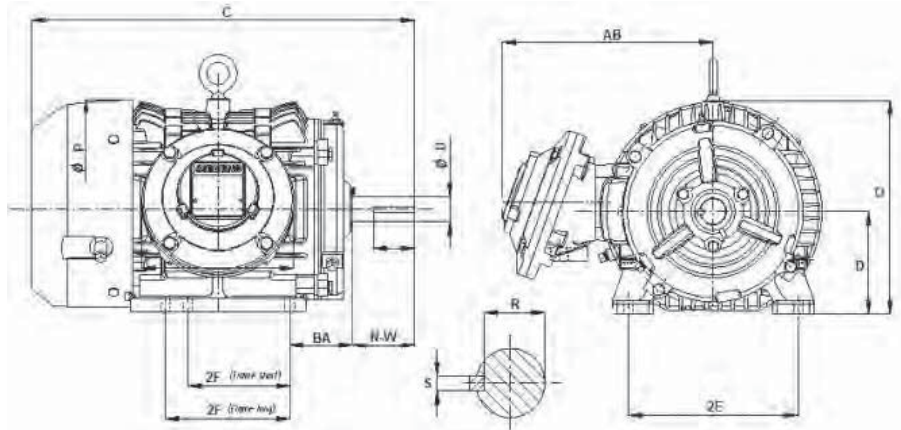
Frame	Poles	D-Flange						
		BA*	AH	AJ	AK	BD	BF #	BF
364TD	All	6.62	5.62	16.0	14.0	18.0	4	0.81
365TD	All	6.62	5.62	16.0	14.0	18.0	4	0.81
364TSD	All	6.62	3.50	16.0	14.0	18.0	4	0.81
365TSD	All	6.62	3.50	16.0	14.0	18.0	4	0.81
404TD	All	6.62	7.00	16.0	14.0	22.0	8	0.81
405TD	All	6.62	7.00	16.0	14.0	22.0	8	0.81
404TSD	All	6.62	4.00	16.0	14.0	22.0	8	0.81
405TSD	All	6.62	4.00	16.0	14.0	22.0	8	0.81

Dimensions in inches.
Typical dimensions data, not guaranteed.
* Not according to NEMA.

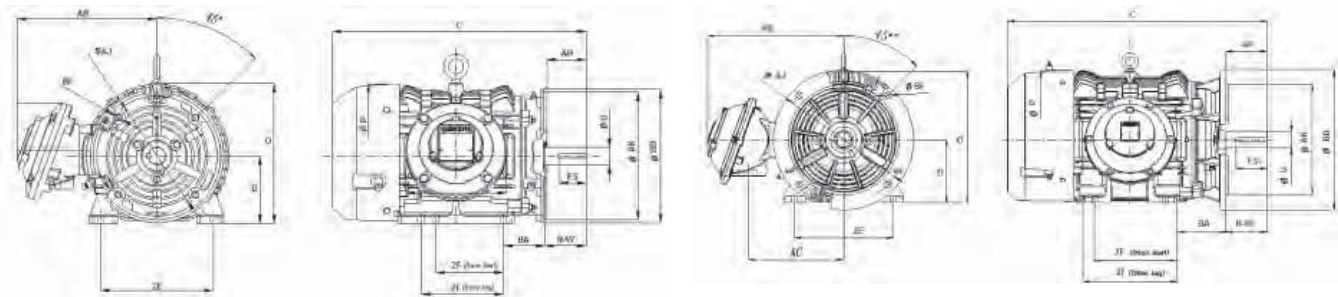
General dimensions

XP100 / XP100 ID1

Explosion proof Frames 440



Frame	Poles	C	2F	N-W	P	U	BA	AB	2E	D	O	Keyseat		
												R	S	ES
444T	All	45.58	14.5	8.50	21.7	3.37	7.5	21.59	18	11	21.98	2.880	0.875	6.910
445T	All	45.58	16.5	8.50	21.7	3.37	7.5	21.59	18	11	21.98	2.880	0.875	6.910
444TS	All	41.83	14.5	4.75	21.7	2.37	7.5	21.59	18	11	21.98	2.020	0.625	3.030
445TS	All	41.83	16.5	4.75	21.7	2.37	7.5	21.59	18	11	21.98	2.021	0.625	3.030
447T	All	49.08	20.0	8.50	21.7	3.37	7.5	21.59	18	11	21.98	2.880	0.875	6.910
447TS	All	45.33	20.0	4.75	21.7	2.37	7.5	21.59	18	11	21.98	2.021	0.625	3.030
449T	All	54.08	25.0	8.50	21.7	3.37	7.5	23.46	18	11	21.98	2.880	0.875	6.912
449TS	All	50.33	25.0	4.75	21.7	2.37	7.5	23.46	18	11	21.98	2.021	0.875	3.030



Frame	Poles	C-Face						
		BA	AH	AJ	AK	BD	BF #	BF
444TC	All	7.5	8.25	14	16.0	18.00	8	5/8"-11NC
445TC	All	7.5	8.25	14	16.0	18.00	8	5/8"-11NC
444TSC	All	7.5	4.50	14	16.0	18.00	8	5/8"-11NC
445TSC	All	7.5	4.50	14	16.0	18.00	8	5/8"-11NC
447TC	All	7.5	8.25	14	16.0	18.00	8	5/8"-11NC
447TSC	All	7.5	4.50	14	16.0	18.00	8	5/8"-11NC
449TC	All	7.5	8.25	14	16.0	18.00	8	5/8"-11NC
449TSC	All	7.5	4.50	14	16.0	18.00	8	5/8"-11NC

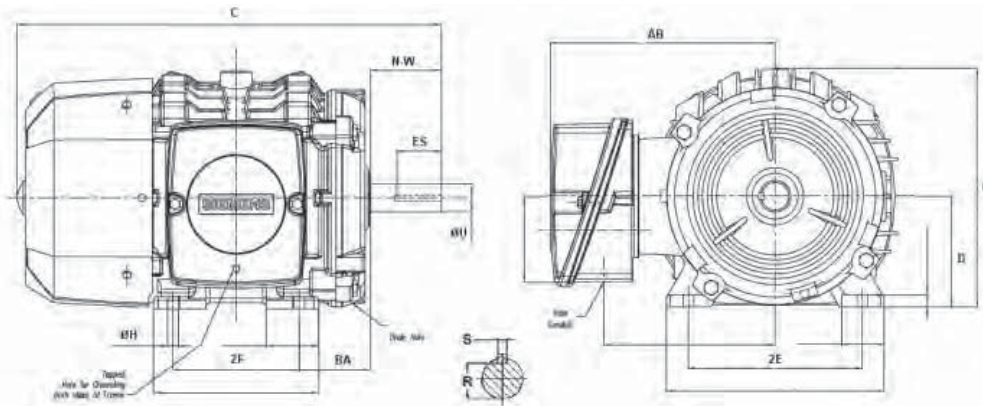
Frame	Poles	D-Flange						
		BA	AH	AJ	AK	BD	BF #	BF
444TD	All	7.5	8.25	14.0	18.0	22.00	8	0.81
445TD	All	7.5	8.25	14.0	18.0	22.00	8	0.81
444TSD	All	7.5	4.50	14.0	18.0	22.00	8	0.81
445TSD	All	7.5	4.50	14.0	18.0	22.00	8	0.81
447TD	All	7.5	8.25	14.0	18.0	22.00	8	0.81
447TSD	All	7.5	4.50	14.0	18.0	22.00	8	0.81
449TD	All	7.5	8.25	14.0	18.0	22.00	8	0.81
449TSD	All	7.5	4.50	14.0	18.0	22.00	8	0.81

Dimensions in inches.
Typical dimensions data, not guaranteed.

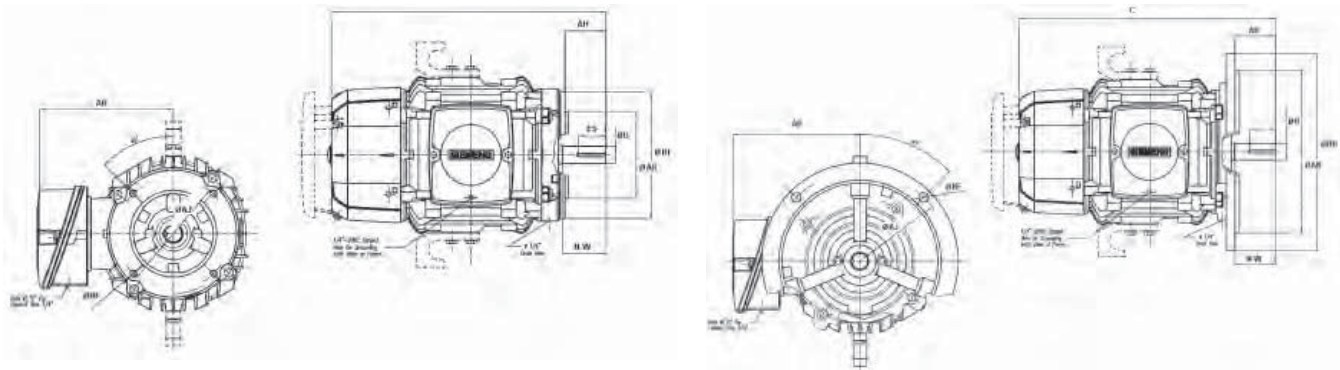
General dimensions

SD10 MS

Definite purpose
Frames 140-250



Frame	Poles	C	2F	N-W	P	U	BA	AB	2E	D	O	Keyseat		
												R	S	ES
143T	All	14.37	4.0	2.25	7.6	0.875	2.25	7.00	5.5	3.50	7.28	0.771	0.188	1.41
145T	All	14.37	5.0	2.25	7.6	0.875	2.25	7.00	5.5	3.50	7.28	0.771	0.188	1.41
182T	All	16.68	4.5	2.75	8.7	1.125	2.75	6.94	7.5	4.50	8.87	0.986	0.250	1.81
184T	All	16.68	5.5	2.75	8.7	1.125	2.75	6.94	7.5	4.50	8.87	0.986	0.250	1.81
213T	All	20.65	5.5	3.38	10.3	1.375	3.5	8.27	8.5	5.25	10.41	1.201	0.312	2.44
215T	All	20.65	7.0	3.38	10.3	1.375	3.5	8.27	8.5	5.25	10.41	1.201	0.312	2.44
254T	All	26.16	8.25	4.00	12.4	1.625	4.25	9.35	10.0	6.25	12.43	1.416	0.375	2.91
256T	All	26.16	10.0	4.00	12.4	1.625	4.25	9.35	10.0	6.25	12.43	1.416	0.375	2.91



Frame	Poles	C-Face						
		BA*	AH	AJ	AK	BD	BF #	BF
143TC	All	2.25	2.12	5.875	4.5	6.60	4	3/8"-16NC
145TC	All	2.25	2.12	5.875	4.5	6.60	4	3/8"-16NC
182TC	All	2.75	2.62	7.250	8.5 *	8.90	4	1/2"-13NC
184TC	All	2.75	2.62	7.250	8.5 *	8.90	4	1/2"-13NC
213TC	All	3.50	3.12	7.250	8.5	8.90	4	1/2"-13NC
215TC	All	3.50	3.12	7.250	8.5	8.90	4	1/2"-13NC
254TC	All	4.25	3.75	7.250	8.5	9.30	4	1/2"-13NC
256TC	All	4.25	3.75	7.250	8.5	9.30	4	1/2"-13NC

Frame	Poles	D-Flange						
		BA*	AH	AJ	AK	BD	BF #	BF
143TD	All	2.25	2.25	10	9.0	10.90	4	0.53
145TD	All	2.25	2.25	10	9.0	10.90	4	0.53
182TD	All	2.75	2.75	10	9.0	11.00	4	0.53
184TD	All	2.75	2.75	10	9.0	11.00	4	0.53
213TD	All	3.50	3.38	10	9.0	10.90	4	0.53
215TD	All	3.50	3.38	10	9.0	10.90	4	0.53
254TD	All	4.25	4.00	12.5	11.0	13.90	4	0.81
256TD	All	4.25	4.00	12.5	11.0	13.90	4	0.81

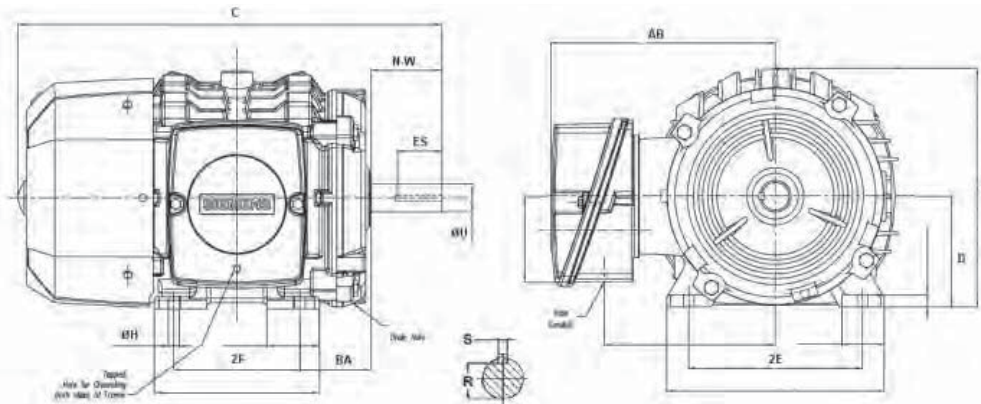
Dimensions in inches.
Typical dimensions data, not guaranteed.
* Not according to NEMA.

Introduction
General Purpose Motors
Severe Duty Motors
Hazardous Duty Motors
Definite Purpose Motors
QuikMOD Detail
Custom Options Detail
Typical Performance Data
General Dimensions
Part Number Index

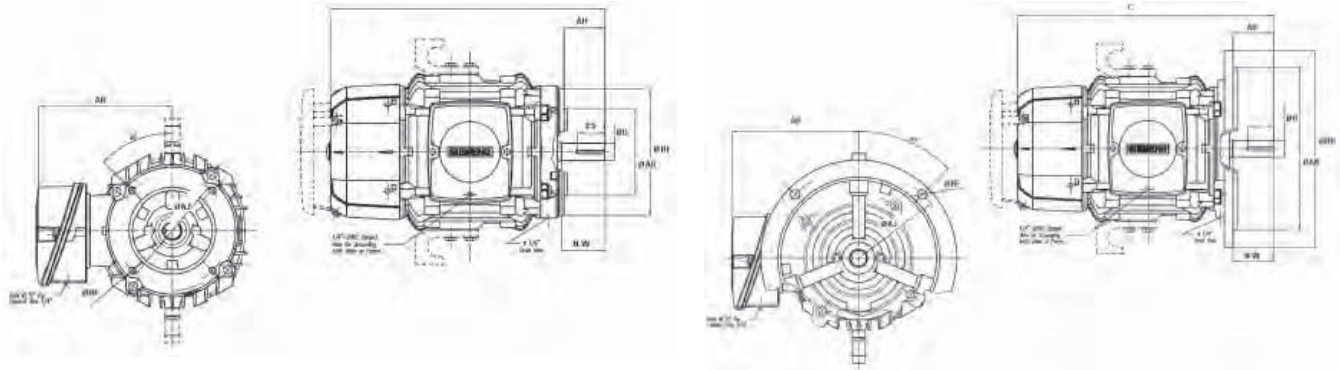
General dimensions

SD10 MS

Definite purpose
Frames 280-320



Frame	Poles	C	ZF	N-W	P	U	BA	AB	ZE	D	O	Keyseat		
												R	S	ES
284T	All	27.4	9.50	4.63	15.5	1.875	13.40	4.75	11.0	7.0	14.19	1.590	0.500	3.25
286T	All	28.9	11.00	4.63	15.5	1.875	13.40	4.75	11.0	7.0	14.19	1.590	0.500	3.25
284TS	All	26.0	9.50	3.25	15.5	1.625	13.40	4.75	11.0	7.0	14.19	1.420	0.375	1.88
286TS	All	27.5	11.00	3.25	15.5	1.625	13.40	4.75	11.0	7.0	14.19	1.420	0.375	1.88
324T	All	32.0	10.50	5.25	17.1	2.125	15.75	5.25	12.5	8.0	15.94	1.850	0.500	3.88
326T	All	32.0	12.00	5.25	17.1	2.125	15.75	5.25	12.5	8.0	15.94	1.850	0.500	3.88
324TS	All	30.0	10.50	3.75	17.1	1.875	15.75	5.25	12.5	8.0	15.94	1.590	0.500	2.00
326TS	All	30.0	12.00	3.75	17.1	1.875	15.75	5.25	12.5	8.0	15.94	1.590	0.500	2.00



Frame	Poles	C-Face						
		BA	AH	AJ	AK	BD	BF #	BF
284TC	All	4.75	4.38	9	10.5	10.75	4	1/2"-13NC
286TC	All	4.75	4.38	9	10.5	10.75	4	1/2"-13NC
284TSC	All	4.75	3.00	9	10.5	10.75	4	1/2"-13NC
286TSC	All	4.75	3.00	9	10.5	10.75	4	1/2"-13NC
324TC	All	5.25	5.00	11	12.5	12.75	4	5/8"-11NC
326TC	All	5.25	5.00	11	12.5	12.75	4	5/8"-11NC
324TSC	All	5.25	3.50	11	12.5	12.75	4	5/8"-11NC
326TSC	All	5.25	3.50	11	12.5	12.75	4	5/8"-11NC

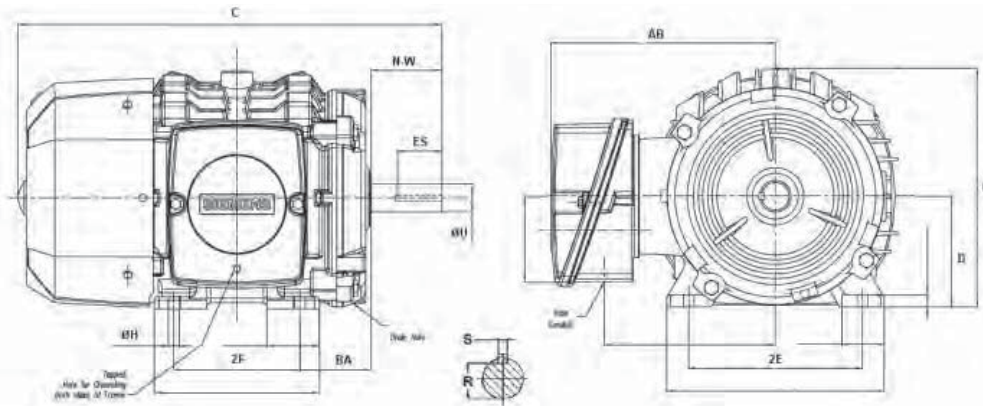
Frame	Poles	D-Flange						
		BA	AH	AJ	AK	BD	BF #	BF
284TD	All	4.75	4.62	12.5	11.0	13.88	4	0.81
286TD	All	4.75	4.62	12.5	11.0	13.88	4	0.81
284TSD	All	4.75	3.25	12.5	11.0	13.88	4	0.81
286TSD	All	4.75	3.25	12.5	11.0	13.88	4	0.81
324TD	All	5.25	5.25	16.0	14.0	17.88	4	0.81
326TD	All	5.25	5.25	16.0	14.0	17.88	4	0.81
324TSD	All	5.25	3.75	16.0	14.0	17.88	4	0.81
326TSD	All	5.25	3.75	16.0	14.0	17.88	4	0.81

Dimensions in inches.
Typical dimensions data, not guaranteed.

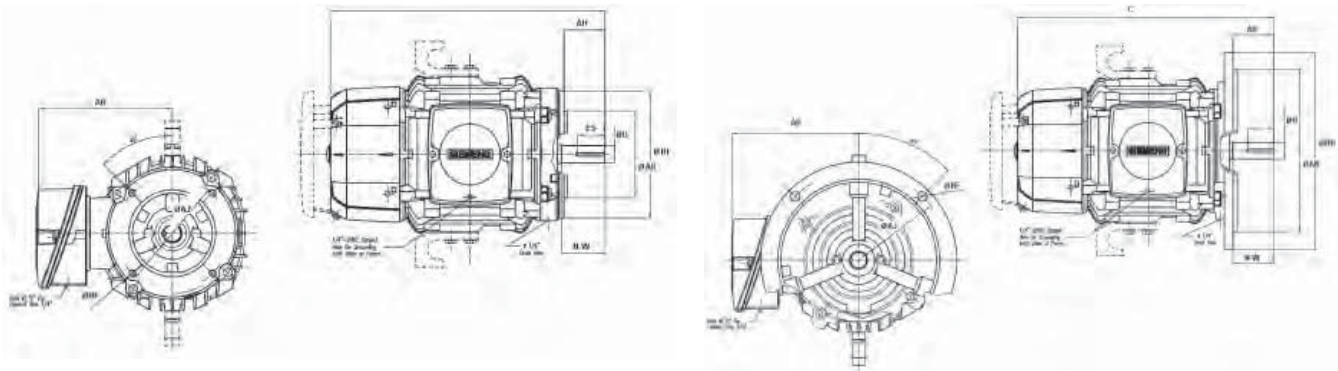
General dimensions

SD10 MS

Definite purpose
Frames 360-400



Frame	Poles	C	2F	N-W	P	U	BA	AB	2E	D	O	Keyseat		
												R	S	ES
364T	All	34.2	11.25	5.88	18.5	2.375	17.69	5.88	14.0	9.0	17.81	2.020	0.625	4.25
365T	All	34.2	12.25	5.88	18.5	2.375	17.69	5.88	14.0	9.0	17.81	2.020	0.625	4.25
364TS	All	32.1	11.25	3.75	18.5	1.875	17.69	5.88	14.0	9.0	17.81	1.590	0.500	2.00
365TS	All	32.1	12.25	3.75	18.5	1.875	17.69	5.88	14.0	9.0	17.81	1.590	0.500	2.00
404T	All	39.5	12.25	7.25	19.6	2.875	17.50	6.63	16.0	10.0	19.90	2.450	0.750	5.63
405T	All	39.5	13.75	7.25	19.6	2.875	17.50	6.63	16.0	10.0	19.90	2.450	0.750	5.63
404TS	All	36.5	12.25	4.25	19.6	2.125	17.50	6.63	16.0	10.0	19.90	1.850	0.500	2.75
405TS	All	36.5	13.75	4.25	19.6	2.125	17.50	6.63	16.0	10.0	19.90	1.850	0.500	2.75



Frame	Poles	C-Face						
		BA	AH	AJ	AK	BD	BF #	BF
364TC	All	5.88	5.62	11	12.5	12.75	8	5/8"-11NC
365TC	All	5.88	5.62	11	12.5	12.75	8	5/8"-11NC
364TSC	All	5.88	3.50	11	12.5	12.75	8	5/8"-11NC
365TSC	All	5.88	3.50	11	12.5	12.75	8	5/8"-11NC
404TC	All	6.63	7.00	11	12.5	13.50	8	5/8"-11NC
405TC	All	6.63	7.00	11	12.5	13.50	8	5/8"-11NC
404TSC	All	6.63	4.00	11	12.5	13.50	8	5/8"-11NC
405TSC	All	6.63	4.00	11	12.5	13.50	8	5/8"-11NC

Frame	Poles	D-Flange						
		BA	AH	AJ	AK	BD	BF #	BF
364TD	All	5.88	5.88	16	14.0	17.88	4	0.81
365TD	All	5.88	5.88	16	14.0	17.88	4	0.81
364TSD	All	5.88	3.75	16	14.0	17.88	4	0.81
365TSD	All	5.88	3.75	16	14.0	17.88	4	0.81
404TD	All	6.63	7.25	20	18.0	21.88	8	0.81
405TD	All	6.63	7.25	20	18.0	21.88	8	0.81
404TSD	All	6.63	4.25	20	18.0	21.88	8	0.81
405TSD	All	6.63	4.25	20	18.0	21.88	8	0.81

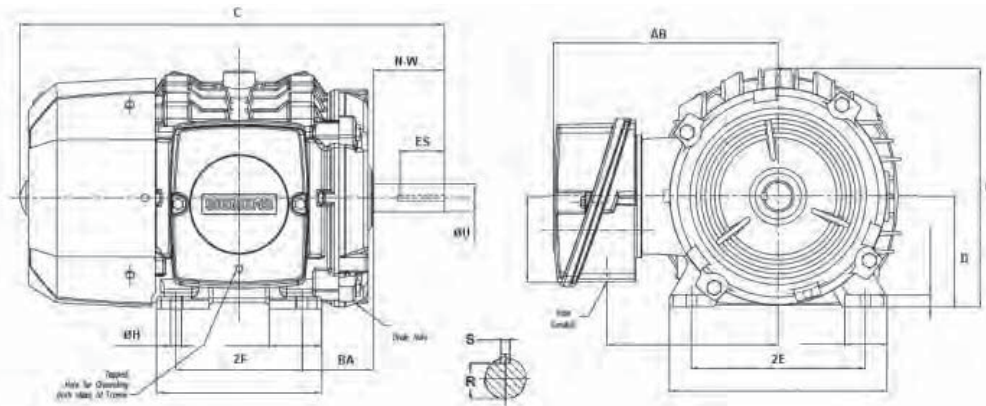
Dimensions in inches.
Typical dimensions data, not guaranteed.

Introduction
General Purpose Motors
Severe Duty Motors
Hazardous Duty Motors
Definite Purpose Motors
QuikMOD Detail
Custom Options Detail
Typical Performance Data
General Dimensions
Part Number Index

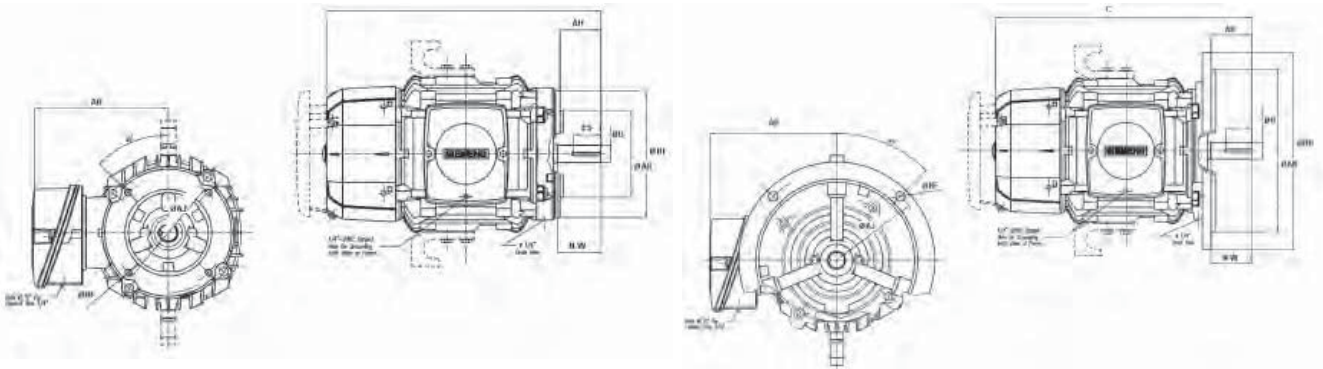
General dimensions

SD10 MS

Definite purpose Frames 440-S440



Frame	Poles	C	ZF	N-W	P	U	BA	AB	ZE	D	O	Keyseat		
												R	S	ES
444T	All	45.6	14.50	8.50	21.7	3.375	19.94	7.5	18.0	11.0	21.90	0.875	2.880	6.88
445T	All	45.6	16.50	8.50	21.7	3.375	19.94	7.5	18.0	11.0	21.90	0.875	2.880	6.88
444TS	All	41.8	14.50	4.75	21.7	2.375	19.94	7.5	18.0	11.0	21.90	0.625	2.020	3.00
445TS	All	41.8	16.50	4.75	21.7	2.375	19.94	7.5	18.0	11.0	21.90	0.625	2.020	3.00
447T	All	49.1	20.00	8.50	21.8	3.375	19.94	7.5	18.0	11.0	21.90	0.875	2.880	6.88
447TS	All	45.4	20.00	4.75	21.8	2.375	19.94	7.5	18.0	11.0	21.90	0.625	2.020	3.00
449T	All	54.1	25.00	8.50	21.8	3.375	22.00	7.5	18.0	11.0	21.90	0.875	2.880	6.88
449TS	All	50.3	25.00	4.75	21.8	2.375	22.00	7.5	18.0	11.0	21.90	0.625	2.020	3.00
S449LS	All	67.1	25.00	9.12	25.4	3.625	23.01	7.5	18.0	11.0	23.40	0.875	3.130	7.50
S449SS	All	67.1	25.00	5.25	25.4	2.625	23.01	7.5	18.0	11.0	23.40	0.625	2.280	3.50



Frame	Poles	C-Face						
		BA	AH	AJ	AK	BD	BF #	BF
444TC	All	7.5	8.25	14	16.0	16.62	8	5/8"-11NC
445TC	All	7.5	8.25	14	16.0	16.62	8	5/8"-11NC
444TSC	All	7.5	4.50	14	16.0	16.62	8	5/8"-11NC
445TSC	All	7.5	4.50	14	16.0	16.62	8	5/8"-11NC
447TC	All	7.5	8.25	14	16.0	16.62	8	5/8"-11NC
447TSC	All	7.5	4.50	14	16.0	16.62	8	5/8"-11NC
449TC	All	7.5	8.25	14	16.0	16.62	8	5/8"-11NC
449TSC	All	7.5	4.50	14	16.0	16.62	8	5/8"-11NC

Frame	Poles	D-Flange						
		BA	AH	AJ	AK	BD	BF #	BF
444TD	All	7.5	8.50	20	18.0	21.88	8	0.81
445TD	All	7.5	8.50	20	18.0	21.88	8	0.81
444TSD	All	7.5	4.75	20	18.0	21.88	8	0.81
445TSD	All	7.5	4.75	20	18.0	21.88	8	0.81
447TD	All	7.5	8.50	20	18.0	21.88	8	0.81
447TSD	All	7.5	4.75	20	18.0	21.88	8	0.81
449TD	All	7.5	8.50	20	18.0	21.88	8	0.81
449TSD	All	7.5	4.75	20	18.0	21.88	8	0.81

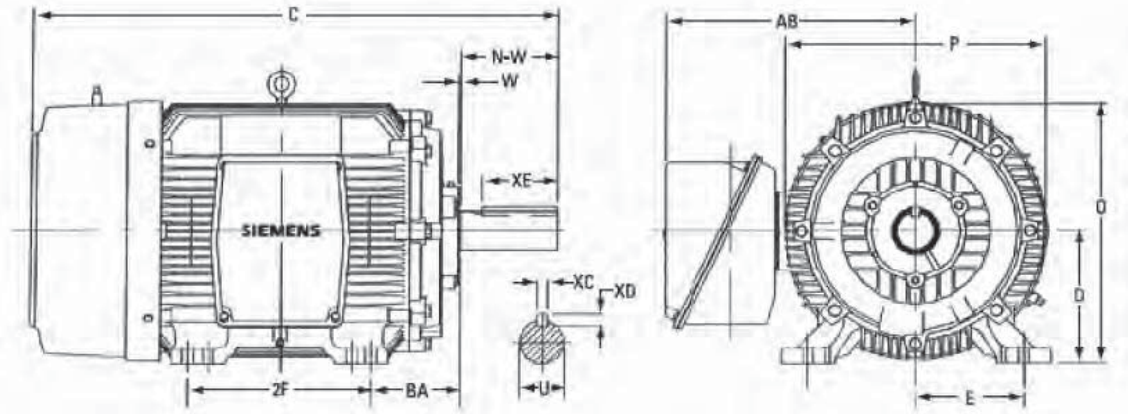
Dimensions in inches.
Typical dimensions data, not guaranteed.

General dimensions

RGZESDI

Definite purpose

Figure A – Totally enclosed fan cooled



Frame	XC	XD	XE	C	D	E	2F	BA	N-W	O	P	W	AB	U
143T	0.188	0.188	1.38	12.2	3.50	2.75	4.00	2.25	2.25	7.2	7.7	0.13	6.7	0.875 ¹⁾
145T	0.188	0.188	1.38	13.7	3.50	2.75	5.00	2.25	2.25	7.2	7.7	0.13	6.7	0.875 ¹⁾
182T	0.2500	0.25	1.80	14.8	4.50	3.75	4.50	2.75	2.75	9.0	9.4	0.13	8.0	1.125 ¹⁾
184T	0.25	0.25	1.80	15.8	4.50	3.75	5.50	2.75	2.75	9.0	9.4	0.13	8.0	1.125 ¹⁾
213T	0.313	0.313	2.31	18.2	5.25	4.25	5.50	3.50	3.38	10.5	10.8	0.13	9.4	1.375 ¹⁾
215T	0.313	0.313	2.31	19.6	5.25	4.25	7.00	3.50	3.38	10.5	10.8	0.13	9.4	1.375 ¹⁾
254T	0.375	0.375	2.81	23.0	6.25	5.00	8.25	4.25	4.00	12.6	13.1	0.13	10.7	1.625 ²⁾
256T	0.375	0.375	2.81	24.8	6.25	5.00	10.0	4.25	4.00	12.6	13.1	0.13	10.7	1.625 ²⁾
284T	0.500	0.500	3.25	27.4	7.00	5.50	9.50	4.75	4.63	14.3	14.9	0.13	13.4	1.875 ²⁾
286T	0.500	0.500	3.25	28.9	7.00	5.50	11.00	4.75	4.63	14.3	14.9	0.13	13.4	1.875 ²⁾
284TS	0.375	0.375	1.88	27.5	7.00	5.50	9.50	4.75	3.25	14.3	14.9	0.13	13.4	1.625 ²⁾
286TS	0.375	0.375	1.88	27.5	7.00	5.50	11.00	4.75	3.25	14.3	14.9	0.13	13.4	1.625 ²⁾
324T	0.500	0.500	3.88	31.5	8.00	6.25	10.50	5.25	5.25	16.0	16.6	0.13	15.5	2.125 ²⁾
326T	0.500	0.500	3.88	31.5	8.00	6.25	12.00	5.25	5.25	16.0	16.6	0.13	15.5	2.125 ²⁾
324TS	0.500	0.500	2.00	30.0	8.00	6.25	10.50	5.25	3.75	16.0	16.6	0.13	15.5	1.875 ²⁾
326TS	0.500	0.500	2.00	30.0	8.00	6.25	12.00	5.25	3.75	16.0	16.6	0.13	15.5	1.875 ²⁾
364T	0.625	0.625	4.25	34.2	9.00	7.00	11.25	5.88	5.88	17.8	18.4	0.38	18.0	2.375 ²⁾
365T	0.625	0.625	4.25	34.2	9.00	7.00	12.25	5.88	5.88	17.8	18.4	0.38	18.0	2.375 ²⁾
364TS	0.500	0.500	2.00	32.1	9.00	7.00	11.25	5.88	3.75	17.8	18.4	0.38	18.0	1.875 ²⁾
365TS	0.500	0.500	2.00	32.1	9.00	7.00	12.25	5.88	3.75	17.8	18.4	0.38	18.0	1.875 ²⁾
404T	0.750	0.750	5.63	39.5	10.00	8.00	12.25	6.625	7.25	19.9	19.6	0.13	18.7	2.875 ²⁾
405T	0.750	0.750	5.63	39.5	10.00	8.00	13.75	6.625	7.25	19.9	19.6	0.13	18.7	2.875 ²⁾
404TS	0.500	0.500	2.75	36.5	10.00	8.00	12.25	6.625	4.25	19.9	19.6	0.13	18.7	2.125 ²⁾
405TS	0.500	0.500	2.75	36.5	10.00	8.00	13.75	6.625	4.25	19.9	19.6	0.13	18.7	2.125 ²⁾
444T	0.875	0.875	6.88	45.6	11.00	9.00	14.50	7.50	8.50	21.9	21.7	0.13	20.0	3.375 ²⁾
445T	0.875	0.875	6.88	45.6	11.00	9.00	16.50	7.50	8.50	21.9	21.7	0.13	20.0	3.375 ²⁾
444TS	0.625	0.625	3.00	41.8	11.00	9.00	14.50	7.50	4.75	21.9	21.7	0.13	20.0	2.375 ²⁾
445TS	0.625	0.625	3.00	41.8	11.00	9.00	16.50	7.50	4.75	21.9	21.7	0.13	20.0	2.375 ²⁾
447T	0.875	0.875	6.88	49.1	11.00	9.00	20.00	7.50	8.50	21.9	21.8	0.13	20.0	3.375
447TS	0.625	0.625	3.00	45.4	11.00	9.00	20.00	7.50	4.75	21.9	21.8	0.13	20.0	2.375
449T	0.875	0.875	6.88	54.1	11.00	9.00	25.00	7.50	8.5	21.9	21.8	0.13	20.0	3.375
449TS	0.625	0.625	3.00	50.3	11.00	9.00	25.00	7.50	4.75	21.9	21.8	0.13	20.0	2.375
S449LS	0.875	0.875	7.50	63.7	11.00	9.00	25.00	7.50	9.12	23.4	25.4	0.13	23.0	3.625
S449SS	0.625	0.625	3.50	59.8	11.00	9.00	25.00	7.50	5.25	23.4	25.4	0.13	23.0	2.625

1) Tolerance: +0.00, -0.0005
2) Tolerance: +0.00, -0.001

Dimensions in inches.
Typical dimensions data, not guaranteed.

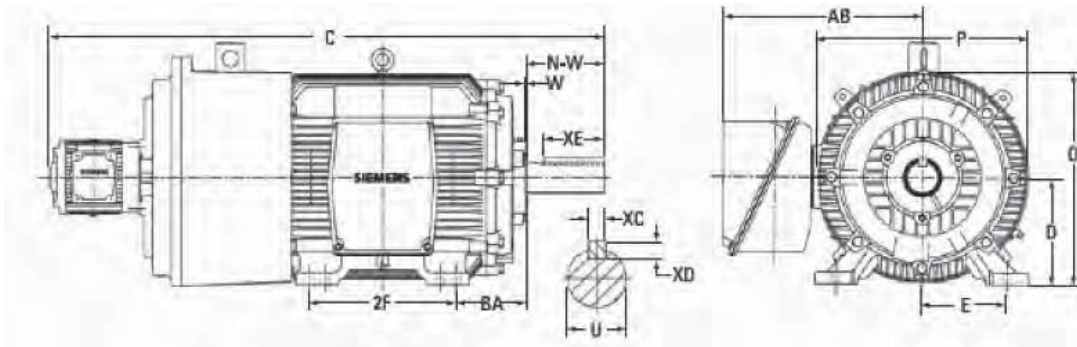
Introduction
General Purpose Motors
Severe Duty Motors
Hazardous Duty Motors
Definite Purpose Motors
QuikMOD Detail
Custom Options Detail
Typical Performance Data
General Dimensions
Part Number Index

General dimensions

RGZESDI

Definite purpose

Figure B – Totally enclosed blower cooled with or without encoder



Frame	XC	XD	XE	C	D	E	2F	BA	N-W	O	P	W	AB	U
143T	0.188	0.188	1.38	12.2	3.5	2.75	4.00	2.25	2.25	7.20	7.7	0.13	6.7	0.875 ¹⁾
145T	0.188	0.188	1.38	13.7	3.5	2.75	5.00	2.25	2.25	7.20	7.7	0.13	6.7	0.875 ¹⁾
182T	0.250	0.250	1.8	14.8	4.5	3.75	4.50	2.75	2.75	9.00	9.4	0.13	8.0	1.125 ¹⁾
184T	0.250	0.250	1.8	15.8	4.5	3.75	5.50	2.75	2.75	9.00	9.4	0.13	8.0	1.125 ¹⁾
213T	0.313	0.313	2.31	18.2	5.25	4.25	5.50	3.50	3.38	10.5	10.8	0.13	9.4	1.375 ¹⁾
215T	0.313	0.313	2.31	19.6	5.25	4.25	7.00	3.50	3.38	10.5	10.8	0.13	9.4	1.375 ¹⁾
254T	0.375	0.375	2.81	23.0	6.25	5.00	8.25	4.25	4.00	12.6	13.1	0.13	10.7	1.625 ¹⁾
256T	0.375	0.375	2.81	24.8	6.25	5.00	10.00	4.25	4.00	12.6	13.1	0.13	10.7	1.625 ¹⁾
284T	0.500	0.500	3.25	27.4	7.00	5.50	9.50	4.75	4.63	14.3	14.9	0.13	13.4	1.875 ¹⁾
286T	0.500	0.500	3.25	28.9	7.00	5.50	11.00	4.75	4.63	14.3	14.9	0.13	13.4	1.875 ¹⁾
284TS	0.375	0.375	1.88	27.5	7.00	5.50	9.50	4.75	3.25	14.3	14.9	0.13	13.4	1.625 ¹⁾
286TS	0.375	0.375	1.88	27.5	7.00	5.50	11.00	4.75	3.25	14.3	14.9	0.13	13.4	1.625 ¹⁾
324T	0.500	0.500	3.88	31.5	8.00	6.25	10.50	5.25	5.25	16.0	16.6	0.13	15.5	2.125 ¹⁾
326T	0.500	0.500	3.88	31.5	8.00	6.25	12.00	5.25	5.25	16.0	16.6	0.13	15.5	2.125 ¹⁾
324TS	0.500	0.500	2.00	30.0	8.00	6.25	10.50	5.25	3.75	16.0	16.6	0.13	15.5	1.875 ^{5 1)}
326TS	0.500	0.500	2.00	30.0	8.00	6.25	12.00	5.25	3.75	16.0	16.6	0.13	15.5	1.875 ^{5 1)}
364T	0.625	0.625	4.25	34.2	9.00	7.00	11.25	5.88	5.88	17.8	18.4	0.38	18.0	2.375 ^{5 1)}
365T	0.625	0.625	4.25	34.2	9.00	7.00	12.25	5.88	5.88	17.8	18.4	0.38	18.0	2.375 ^{5 1)}
364TS	0.500	0.500	2.00	32.1	9.00	7.00	11.25	5.88	3.75	17.8	18.4	0.38	18.0	1.875 ^{5 1)}
365TS	0.500	0.500	2.00	32.1	9.00	7.00	12.25	5.88	3.75	17.8	18.4	0.38	18.0	1.875 ^{5 1)}
404T	0.750	0.750	5.63	39.5	10.00	8.00	12.25	6.625	7.25	19.9	19.6	0.13	18.7	2.875 ^{5 1)}
405T	0.750	0.750	5.63	39.5	10.00	8.00	13.75	6.625	7.25	19.9	19.6	0.13	18.7	2.875 ^{5 1)}
404TS	0.500	0.500	2.75	36.5	10.00	8.00	12.25	6.625	4.25	19.9	19.6	0.13	18.7	2.125 ^{5 1)}
405TS	0.500	0.500	2.75	36.5	10.00	8.00	13.75	6.625	4.25	19.9	19.6	0.13	18.7	2.125 ^{5 1)}
444T	0.875	0.875	6.88	45.6	11.00	9.00	14.5	7.500	8.50	21.9	21.7	0.13	20.0	3.375 ^{5 1)}
445T	0.875	0.875	6.88	45.6	11.00	9.00	16.5	7.500	8.50	21.9	21.7	0.13	20.0	3.375 ^{5 1)}
444TS	0.625	0.625	3.00	41.8	11.00	9.00	14.5	7.500	4.75	21.9	21.7	0.13	20.0	2.375 ^{5 1)}
445TS	0.625	0.625	3.00	41.8	11.00	9.00	16.5	7.500	4.75	21.9	21.7	0.13	20.0	2.375 ^{5 1)}
447T	0.875	0.875	6.88	49.1	11.00	9.00	20.0	7.500	8.50	21.9	21.8	0.13	20.0	3.375
447TS	0.625	0.625	3.00	45.4	11.00	9.00	20.0	7.500	4.75	21.9	21.8	0.13	20.0	2.375
449T	0.875	0.875	6.88	54.1	11.00	9.00	25.0	7.500	8.50	21.9	21.8	0.13	20.0	3.375
449TS	0.625	0.625	3.00	50.3	11.00	9.00	25.0	7.500	4.75	21.9	21.8	0.13	20.0	2.375
S449LS	0.875	0.875	7.50	63.7	11.00	9.00	25.0	7.500	9.12	23.4	25.4	0.13	23.0	3.625
S449SS	0.625	0.625	3.50	59.8	11.00	9.00	25.0	7.500	5.25	23.4	25.4	0.13	23.0	2.625

1) Tolerance: +0.00, -0.001

Dimensions in inches.

Typical dimensions data, not guaranteed.

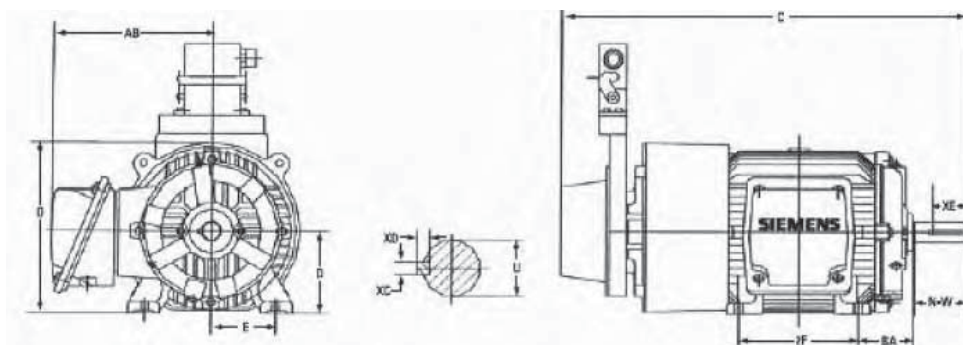
General dimensions

RGZESDI

Definite purpose

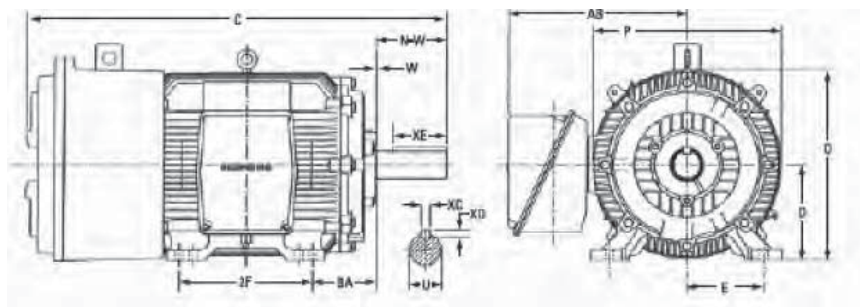
Figure C & D – Motor with encoder

Figure C motor with Lake Shore SL56 encoder



Frame	XC	XD	XE	C	D	E	2F	BA	N-W	O	P	W	AB	U
143T	0.188	0.188	1.38	15.9	3.5	2.75	4.0	2.25	2.25	7.25	7.5	0.13	6.7, -0.0005	0.875, +0.00
145T	0.188	0.188	1.38	16.9	3.5	2.75	5.0	2.25	2.25	7.25	7.5	0.13	6.7, -0.0005	0.875, +0.00
182T	0.250	0.250	1.81	18.5	4.5	3.75	4.5	2.75	2.75	9.12	9.3	0.13	8, -0.0005	1.125, +0.00
184T	0.250	0.250	1.81	19.5	4.5	3.75	5.5	2.75	2.75	9.12	9.3	0.13	8, -0.0005	1.125, +0.00

Figure D motor with internally mounted encoder



Frame	XC	XD	XE	C	D	E	2F	BA	N-W	O	P	W	AB	U
404T	0.750	0.750	5.63	43.66	10	8	12.25	6.625	7.25	19.9	19.6	0.13	18.4, -0.001	2.875, +0.00
405T	0.750	0.750	5.63	43.66	10	8	13.75	6.625	7.25	19.9	19.6	0.13	18.4, -0.001	2.875, +0.00
404TS	0.500	0.500	2.75	40.66	10	8	12.25	6.625	4.25	19.9	19.6	0.13	18.4, -0.001	2.125, +0.00
405TS	0.500	0.500	2.75	40.66	10	8	13.75	6.625	4.25	19.9	19.6	0.13	18.4, -0.001	2.125, +0.00
444T	0.875	0.875	6.88	49.87	11	9	14.5	7.500	8.50	21.9	21.7	0.13	19.6, -0.001	3.375, +0.00
445T	0.875	0.875	6.88	49.87	11	9	16.5	7.500	8.50	21.9	21.7	0.13	19.6, -0.001	3.375, +0.00
444TS	0.625	0.625	3.00	46.12	11	9	14.5	7.500	4.75	21.9	21.7	0.13	19.6, -0.001	2.375, +0.00
445TS	0.625	0.625	3.00	46.12	11	9	16.5	7.500	4.75	21.9	21.7	0.13	19.6, -0.001	2.375, +0.00
447T	0.875	0.875	6.88	53.48	11	9	20	7.500	8.50	21.9	21.8	0.13	19.6	3.375
447TS	0.625	0.625	3.00	49.74	11	9	20	7.500	4.75	21.9	21.8	0.13	19.6	2.375
449T	0.875	0.875	6.88	58.37	11	9	25	7.500	8.50	21.9	21.8	0.13	19.6	3.375
449TS	0.625	0.625	3.00	54.62	11	9	25	7.500	4.75	21.9	21.8	0.13	19.6	2.375
S449LS	0.875	0.875	7.5	67.82	11	9	25	7.500	9.12	23.4	25.4	0.13	23.0	3.625
S449SS	0.625	0.625	3.5	63.95	11	9	25	7.500	5.25	23.4	25.4	0.13	23.0	2.625

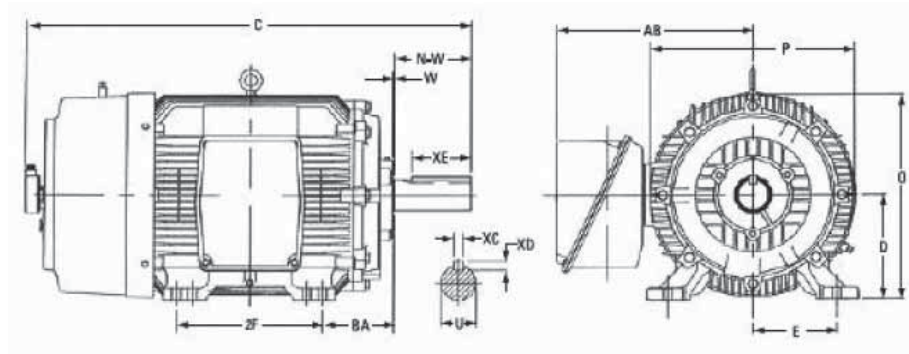
Dimensions in inches.
Typical dimensions data, not guaranteed.

General dimensions

RGZESDI

Definite purpose

Figure E – Motor with Dynapar HS35R encoder



Frame	XC	XD	XE	C	D	E	ZF	BA	N-W	O	P	W	AB	U
143T	0.188	0.188	1.38	15.2	3.5	2.75	4.00	2.25	2.25	6.93	7.7	0.13	6.7 ¹⁾	0.875 ³⁾
145T	0.188	0.188	1.38	16.3	3.5	2.75	5.00	2.25	2.25	6.93	7.7	0.13	6.72 ¹⁾	0.875 ³⁾
182T	0.25	0.25	1.75	17.2	4.5	3.75	4.50	2.75	2.75	8.86	9.7	0.13	8 ¹⁾	1.125 ³⁾
184T	0.25	0.25	1.75	18.3	4.5	3.75	5.50	2.75	2.75	8.86	9.7	0.13	8 ¹⁾	1.125 ³⁾
213T	0.313	0.313	2.38	20.5	5.25	4.25	5.50	3.50	3.38	10.62	11.2	0.13	9.4 ¹⁾	1.375 ³⁾
215T	0.313	0.313	2.38	22.1	5.25	4.25	7.00	3.50	3.38	10.62	11.2	0.13	9.4 ¹⁾	1.375 ³⁾
254T	0.375	0.375	2.88	25.5	6.25	5.00	8.25	4.25	4.00	12.36	13.4	0.13	10.6 ²⁾	1.625 ³⁾
256T	0.375	0.375	2.88	27.2	6.25	5.00	10.00	4.25	4.00	12.36	13.4	0.13	10.6 ²⁾	1.625 ³⁾
284T	0.500	0.500	3.25	29.8	7.00	5.50	9.50	4.75	4.63	14.27	14.9	0.13	13.4 ²⁾	1.875 ³⁾
286T	0.500	0.500	3.25	31.3	7.00	5.50	11.00	4.75	4.63	14.27	14.9	0.13	13.4 ²⁾	1.875 ³⁾
284TS	0.375	0.375	1.88	28.3	7.00	5.50	9.50	4.75	3.25	14.27	14.9	0.13	13.4 ²⁾	1.625 ³⁾
286TS	0.375	0.375	1.88	29.8	7.00	5.50	11.00	4.75	3.25	14.27	14.9	0.13	13.4 ²⁾	1.625 ³⁾
324T	0.500	0.500	3.88	32.4	8.00	6.25	10.50	5.25	5.25	15.9	16.6	0.13	15.5 ²⁾	2.125 ³⁾
326T	0.500	0.500	3.88	32.4	8.00	6.25	12.00	5.25	5.25	15.9	16.6	0.13	15.5 ²⁾	2.125 ³⁾
324TS	0.500	0.500	2.00	31.9	8.00	6.25	10.50	5.25	3.75	15.9	16.6	0.13	15.5 ²⁾	1.875 ³⁾
326TS	0.500	0.500	2.00	31.9	8.00	6.25	12.00	5.25	3.75	15.9	16.6	0.13	15.5 ²⁾	1.875 ³⁾
364T	0.625	0.625	4.25	36.6	9.00	7.00	11.25	5.88	5.88	17.81	18.5	0.26	17.9 ²⁾	2.375 ³⁾
365T	0.625	0.625	4.25	36.6	9.00	7.00	12.25	5.88	5.88	17.81	18.5	0.26	17.9 ²⁾	2.375 ³⁾
364TS	0.500	0.500	2.00	34.5	9.00	7.00	11.25	5.88	3.75	17.81	18.5	0.26	17.9 ²⁾	1.875 ³⁾
365TS	0.500	0.500	2.00	34.5	9.00	7.00	12.25	5.88	3.75	17.81	18.5	0.26	17.9 ²⁾	1.875 ³⁾
404T	0.750	0.750	5.63	41.8	10.00	8.00	12.25	6.625	7.25	19.62	19.6	0.13	18.6 ²⁾	2.875 ³⁾
405T	0.750	0.750	5.63	41.8	10.00	8.00	13.75	6.625	7.25	19.62	19.6	0.13	18.6 ²⁾	2.875 ³⁾
404TS	0.500	0.500	2.75	38.8	10.00	8.00	12.25	6.625	4.25	19.62	19.6	0.13	18.6 ²⁾	2.125 ³⁾
405TS	0.500	0.500	2.75	38.8	10.00	8.00	13.75	6.625	4.25	19.62	19.6	0.13	18.6 ²⁾	2.125 ³⁾
444T	0.875	0.875	6.88	51.8	11.00	9.00	14.50	7.50	8.50	21.88	21.7	0.13	20 ²⁾	3.375 ³⁾
445T	0.875	0.875	6.88	51.8	11.00	9.00	16.50	7.50	8.50	21.88	21.7	0.13	20 ²⁾	3.375 ³⁾
444TS	0.625	0.625	3.00	48.0	11.00	9.00	14.50	7.50	4.75	21.88	21.7	0.13	20 ²⁾	2.375 ³⁾
445TS	0.625	0.625	3.00	48.0	11.00	9.00	16.50	7.50	4.75	21.88	21.7	0.13	20 ²⁾	2.375 ³⁾
447T	0.875	0.875	6.88	51.4	11.00	9.00	20.00	7.50	8.50	21.88	21.8	0.13	20	3.375
447TS	0.625	0.625	3.00	47.7	11.00	9.00	20.00	7.50	4.75	21.88	21.8	0.13	20	2.375
449T	0.875	0.875	6.88	56.5	11.00	9.00	25.00	7.50	8.50	21.88	21.8	0.13	20	3.375
449TS	0.625	0.625	3.00	52.6	11.00	9.00	25.00	7.50	4.75	21.88	21.8	0.13	20	2.375
S449LS	0.875	0.875	7.50	69.4	11.00	9.00	25.00	7.50	9.12	23.40	25.4	0.13	23	3.625
S449SS	0.625	0.625	3.50	65.5	11.00	9.00	25.00	7.50	5.25	23.40	25.4	0.13	23	2.625

1) Tolerance: -0.0005
 2) Tolerance: -0.001
 3) Tolerance: +0.00

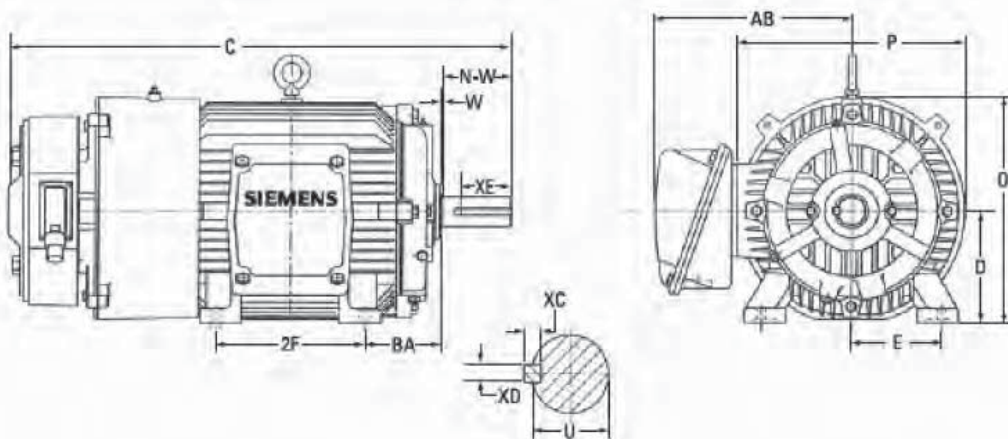
Dimensions in inches.
 Typical dimensions data, not guaranteed.

General dimensions

RGZESDI

Definite purpose

Figure F – Motor with LakeShore 8500 encoder



Frame	XC	XD	XE	C	D	E	2F	BA	N-W	O	P	W	AB	U
213T	0.313	0.313	2.38	22.2	5.25	4.25	5.50	3.50	3.38	10.58	10.9	0.13	9.4 ¹⁾	1.375 ³⁾
215T	0.313	0.313	2.38	23.7	5.25	4.25	7.00	3.50	3.38	10.58	10.9	0.13	9.4 ¹⁾	1.375 ³⁾
254T	0.375	0.375	2.88	27.7	6.25	5.00	8.25	4.25	4.00	12.36	13.2	0.13	10.65 ¹⁾	1.625 ³⁾
256T	0.375	0.375	2.88	29.5	6.25	5.00	10.00	4.25	4.00	12.36	13.2	0.13	10.65 ¹⁾	1.625 ³⁾
284T	0.500	0.500	3.25	32.5	7.00	5.50	9.50	4.75	4.63	14.27	14.9	0.13	13.39 ²⁾	1.875 ³⁾
286T	0.500	0.500	3.25	34.0	7.00	5.50	11.00	4.75	4.63	14.27	14.9	0.13	13.39 ²⁾	1.875 ³⁾
284TS	0.375	0.375	1.88	31.1	7.00	5.50	9.50	4.75	3.25	14.27	14.9	0.13	13.39 ²⁾	1.625 ³⁾
286TS	0.375	0.375	1.88	32.6	7.00	5.50	11.00	4.75	3.25	14.27	14.9	0.13	13.39 ²⁾	1.625 ³⁾
324T	0.500	0.500	3.88	36.9	8.00	6.25	10.50	5.25	5.25	15.94	16.6	0.13	15.5 ²⁾	2.125 ³⁾
326T	0.500	0.500	3.88	36.9	8.00	6.25	12.00	5.25	5.25	15.94	16.6	0.13	15.5 ²⁾	2.125 ³⁾
324TS	0.500	0.500	2.00	35.4	8.00	6.25	10.50	5.25	3.75	15.9	16.6	0.13	15.5 ²⁾	1.875 ³⁾
326TS	0.500	0.500	2.00	35.4	8.00	6.25	12.00	5.25	3.75	15.9	16.6	0.13	15.5 ²⁾	1.875 ³⁾
364T	0.625	0.625	4.25	39.4	9.00	7.00	11.25	5.88	5.88	17.81	18.4	0.38	17.94 ²⁾	2.375 ³⁾
365T	0.625	0.625	4.25	39.4	9.00	7.00	12.25	5.88	5.88	17.81	18.4	0.38	17.94 ²⁾	2.375 ³⁾
364TS	0.500	0.500	2.00	37.3	9.00	7.00	11.25	5.88	3.75	17.81	18.4	0.38	17.94 ²⁾	1.875 ³⁾
365TS	0.500	0.500	2.00	37.3	9.00	7.00	12.25	5.88	3.75	17.81	18.4	0.38	17.94 ²⁾	1.875 ³⁾

1) Tolerance: -0.0005

2) Tolerance: -0.001

3) Tolerance: +0.00

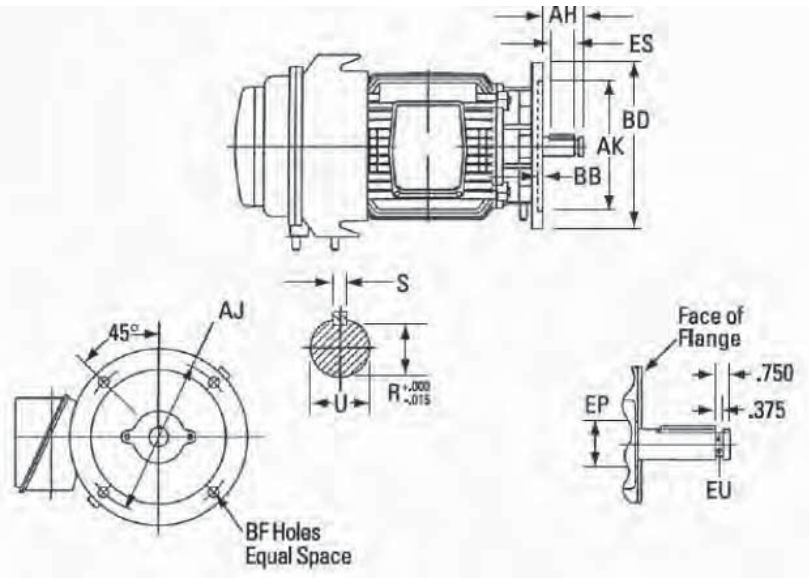
Dimensions in inches.

Typical dimensions data, not guaranteed.

General dimensions

RGZVESD / RGZVILESD

Definite purpose
Vertical P-base solid shaft



In-line thrust

Frame	U	ES	EU	EP	AH	AJ	AK	BB	BD	BF	R	S
143LP 145LP	1.125	1.25	0.875	1.16	2.75	9.12	8.25	0.19	10.00	0.438	0.986	0.250
182LP 184LP	1.125	1.25	0.875	1.16	2.75	9.12	8.25	0.19	10.00	0.438	0.986	0.250
213LP 215LP	1.625	1.25	1.25	1.77	2.75	9.12	8.25	0.19	10.00	0.438	1.416	0.375
254LP 256LP	1.625	1.25	1.25	1.77	2.75	9.12	8.25	0.19	10.00	0.438	1.416	0.375
284LPH 286LPH	2.125	3.00	1.75	2.36	4.50	14.75	13.5	0.25	16.50	0.688	1.845	0.500
324LP 326LP	2.125	3.00	1.75	2.36	4.50	14.75	13.5	0.25	16.50	0.688	1.845	0.500
364LP 365LP	2.125	3.00	1.75	2.38	4.50	14.75	13.5	0.25	16.50	0.688	1.845	0.500
404LP 405LP	2.125	3.00	1.75	2.999	4.50	14.75	13.5	0.25	16.38	0.688	1.845	0.500
444LP 445LP	2.125	3.00	1.75	2.999	4.50	14.75	13.5	0.25	16.38	0.688	1.845	0.500
447LP 449LP	2.125	3.00	1.75	2.999	4.50	14.75	13.5	0.25	16.38	0.688	1.845	0.500

Normal thrust

Frame	U	ES	EU	EP	AH	AJ	AK	BB	BD	BF	R	S
143HP 145HP	0.875	1.25	0.688	1.16	2.75	9.12	8.25	0.19	10.00	0.438	0.771	0.188
182HP 184HP	1.125	1.25	0.875	1.16	2.75	9.12	8.25	0.19	10.00	0.438	0.986	0.250
213HP 215HP	1.125	1.25	0.875	1.38	2.75	9.12	8.25	0.19	10.00	0.438	0.986	0.250
254HP 256HP	1.125	1.25	0.875	1.77	2.75	9.12	8.25	0.19	10.00	0.438	0.986	0.250
284HP 286HP	1.125	1.25	0.875	2.36	2.75	9.12	8.25	0.19	10.00	0.438	0.986	0.250
284HPH 286HPH	1.625	3.00	1.250	2.36	4.50	14.75	13.5	0.25	16.50	0.688	1.416	0.375
324HP 326HP	1.625	3.00	1.250	2.36	4.50	14.75	13.5	0.25	16.50	0.688	1.416	0.375
364HP 365HP	1.625	3.00	1.250	2.36	4.50	14.75	13.5	0.25	16.50	0.688	1.416	0.375
404HP 405HP	1.625	3.00	1.250	2.999	4.50	14.75	13.5	0.25	16.38	0.688	1.416	0.375
444HP 445HP	2.125	3.00	1.750	2.999	4.50	14.75	13.5	0.25	16.38	0.688	1.845	0.500
447HP 449HP	2.125	3.00	1.750	2.999	4.50	14.75	13.5	0.25	16.38	0.688	1.845	0.500

Dimensions in inches.
Typical dimensions data, not guaranteed.

General dimensions

V-belt sheave

Recommended sheave diameters Vertical P-base solid shaft

HP	RPM	Frame	Narrow V ¹ Min. Dia.	Std. V ² Min. Dia.
50	900	404T	8.4	9.0
60	1800	364T	7.4	7.4
60	1200	404T	8.0	9.0
60	900	405T	10.0	10.0
75	1800	365T	8.6	9.0
75	1200	405T	10.0	10.0
75	900	444T	9.5	13.0
100	1800	405T	8.6	10.0
100	1200	444T	10.0	11.8
100	900	445T	12.0	15.0
125	1800	444T	10.5	12.0
125	1200	445T	12.4	15.2
125	900	447T	14.0	18.5
150	1800	445T	10.5	13.2
150	1200	447T	11.6	16.1
15	900	447T	14.6	24.7
200	1800	447T	13.2	15.8
200	1200	449T	14.6	25.0
200	900	449T	18.0	–
250	1800	449T	13.0	18.4
250	1200	449T	18.2	–
250	900	S449LS	19.8	–
300	1800	449T	15.4	24.8
300	1200	S449LS	18.4	–
350	1800	S449LS	15.8	–
350	1200	S449LS	21.0	–
400	1800	S449LS	18.0	–

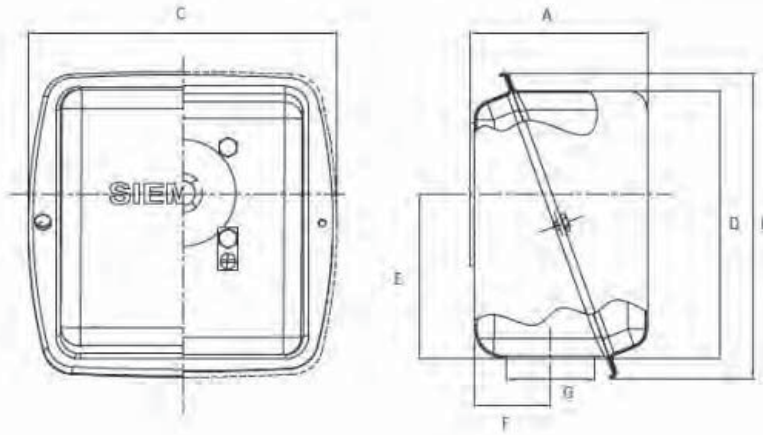
Notes:

1. Example: 3V, 5V, 8V. Sheave face cannot overhand end of shaft.
2. Example: A, B, C, D section. Center of sheave width cannot overhang end of shaft.
3. Do not exceed belt service factor of 1.6. Follow manufacturer's instructions for alignment and belt tensioning.
Position sheaves as close to the drive end bearing as possible. (Maximum 1/2" from shaft shoulder).
4. Maximum speed reduction of 5:1.
5. Shaft center distance approximately equal to diameter of largest sheave.
6. All dimensions in inches.

General dimensions

General purpose

Conduit boxes GP100A / GP100



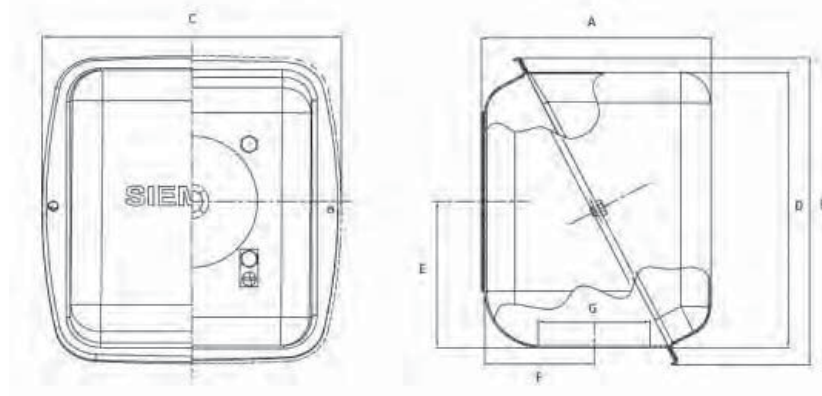
Frame	External Dimensions (in)							Approx. internal volume (in ³)	Number of cover bolts
	A	B	C	D	E	F	G		
140	2.79	5.31	4.41	4.02	2.69	0.95	0.75	37	4
180	2.79	5.31	4.41	4.02	2.69	0.95	0.75	37	4
210	3.30	6.89	5.71	5.20	3.82	1.18	1.00	87	4
250	3.30	6.89	5.71	5.20	3.82	1.18	1.25	87	4
280	5.00	8.60	8.70	6.38	4.50	2.16	2.00	230	4
320	5.00	8.60	8.70	7.62	4.50	2.16	2.50	230	4
360	7.44	9.94	9.69	9.50	4.72	3.54	3.00	465	4
400	7.44	9.94	9.69	9.50	4.72	3.54	3.00	465	4

Dimensions in inches.
Typical dimensions data, not guaranteed.

General dimensions

Severe duty

Conduit boxes SD100 / SD100 IEEE841 / SD10 MS



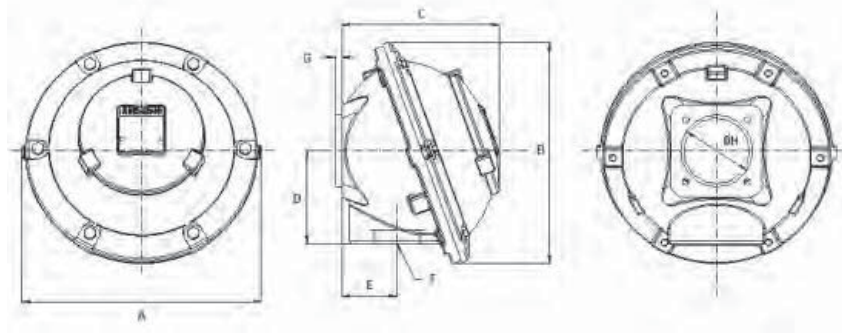
Frame	External Dimensions (in)							Approx. internal volume (in ³)	Number of cover bolts
	A	B	C	D	E	F	G		
140	3.23	5.98	4.96	4.37	2.28	1.18	0.75	41	4
180	3.23	5.98	4.96	4.37	2.28	1.18	0.75	41	4
210	4.24	7.11	5.94	5.32	3.43	1.69	1.00	86	4
250	4.24	7.11	5.94	5.32	3.43	1.69	1.25	86	4
280	5.50	8.31	7.12	6.38	4.75	2.44	1.50	226	4
320	6.44	10.00	8.50	7.62	5.50	3.00	2.00	380	4
360	8.06	12.31	10.50	9.50	7.00	3.50	3.00	762	4
400	8.06	12.31	10.50	9.50	7.00	3.50	3.00	762	4
444-447	8.06	12.31	10.50	9.50	7.00	3.50	3.00	762	4
449	10.19	15.70	13.50	12.50	8.50	5.00	3.00	1696	4
S449	10.19	15.70	13.50	12.50	8.50	5.00	4.00	1696	4

Dimensions in inches.
Typical dimensions data, not guaranteed.

General dimensions

Explosion proof

Conduit boxes
XP100 / XP100 ID1



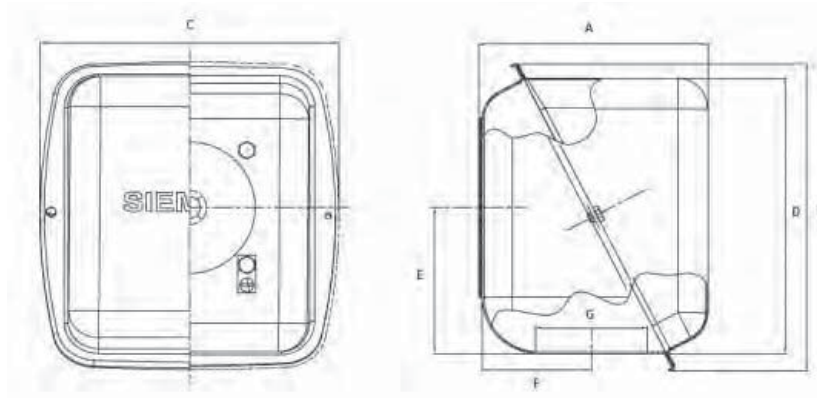
Frame	External Dimensions (in)								Approx. internal volume (in ³)	Number of cover bolts
	A	B	C	D	E	F	G	H		
140	7.28	6.65	4.07	2.56	1.61	3/4"-14 NPT	0.35	2.20	39.0	4
180	7.28	6.65	4.07	2.56	1.61	3/4"-14 NPT	0.35	2.20	39.0	4
210	8.07	7.40	4.66	2.95	1.73	1"-11.5NPT	0.35	2.83	64.0	4
250	8.07	7.40	4.66	2.95	1.73	1"-11.5NPT	0.35	2.83	64.0	4
280	8.07	7.40	4.66	2.95	1.73	1.5"-11.5NPT	0.35	2.83	64.0	4
320	12.00	11.13	7.90	4.65	2.76	2"-11.5NPT	0.35	3.62	278.4	6
360	12.00	11.13	7.90	4.65	2.76	3"-8NPT	0.35	3.62	278.4	6
400	14.09	13.11	9.88	5.83	4.17	3"-8NPT	0.35	4.72	552.0	6
444/445	14.09	13.11	9.88	5.83	4.17	3"-8NPT	0.35	4.72	552.0	6
447	14.09	13.11	9.88	5.83	4.17	3"-8NPT	0.35	4.72	552.0	6
449	17.24	16.14	11.75	6.89	5.45	3"-8NPT	0.35	4.72	972.0	6

Dimensions in inches.
Typical dimensions data, not guaranteed.

General dimensions

Definite purpose

Conduit boxes RGZ



Frame	External Dimensions (in)							Approx. internal volume (in ³)	Number of cover bolts
	A	B	C	D	E	F	G		
140	2.68	4.60	4.15	3.58	2.36	1.00	0.75	27	4
180	3.07	4.76	4.49	3.92	2.48	1.24	0.75	36	4
210	3.86	7.05	5.49	4.90	3.66	1.56	1.00	85	4
250	3.86	7.05	5.49	4.90	3.66	1.56	1.25	85	4
280	5.50	8.31	7.12	6.38	4.75	2.44	1.50	226	4
320	6.44	10.00	8.50	7.62	5.50	3.00	2.00	380	4
360	8.06	12.31	10.50	9.50	7.00	3.50	3.00	762	4
400	8.06	12.31	10.50	9.50	7.00	3.50	3.00	762	4
444-447	8.06	12.31	10.50	9.50	7.00	3.50	3.00	762	4
449	10.19	15.70	13.50	12.50	8.50	5.00	3.00	1696	4
S449	10.19	15.70	13.50	12.50	8.50	5.00	4.00	1696	4

Dimensions in inches.
Typical dimensions data, not guaranteed.

Part number index

NEMA motors

Part Number	HP	RPM	Type	Page
1LE21111AA213AA3	1.5	3600	GP100A	2 - 4
1LE21111AA214AA3	1.5	3600	GP100A	2 - 4
1LE21111AA313AA3	2	3600	GP100A	2 - 4
1LE21111AA314AA3	2	3600	GP100A	2 - 4
1LE21111AB213AA3	1	1800	GP100A	2 - 4
1LE21111AB214AA3	1	1800	GP100A	2 - 4
1LE21111AB313AA3	1.5	1800	GP100A	2 - 4
1LE21111AB314AA3	1.5	1800	GP100A	2 - 4
1LE21111AB413AA3	2	1800	GP100A	2 - 4
1LE21111AB414AA3	2	1800	GP100A	2 - 4
1LE21111AC313AA3	1	1200	GP100A	2 - 4
1LE21111AC314AA3	1	1200	GP100A	2 - 4
1LE21111CA113AA3	3	3600	GP100A	2 - 4
1LE21111CA114AA3	3	3600	GP100A	2 - 4
1LE21111CA313AA3	5	3600	GP100A	2 - 4
1LE21111CA314AA3	5	3600	GP100A	2 - 4
1LE21111CB113AA3	3	1800	GP100A	2 - 4
1LE21111CB114AA3	3	1800	GP100A	2 - 4
1LE21111CB313AA3	5	1800	GP100A	2 - 4
1LE21111CB314AA3	5	1800	GP100A	2 - 4
1LE21112AA113AA3	7.5	3600	GP100A	2 - 4
1LE21112AA114AA3	7.5	3600	GP100A	2 - 4
1LE21112AA213AA3	10	3600	GP100A	2 - 4
1LE21112AA214AA3	10	3600	GP100A	2 - 4
1LE21112AB113AA3	7.5	1800	GP100A	2 - 4
1LE21112AB114AA3	7.5	1800	GP100A	2 - 4
1LE21112AB213AA3	10	1800	GP100A	2 - 4
1LE21112AB214AA3	10	1800	GP100A	2 - 4
1LE21112AC113AA3	3	1200	GP100A	2 - 4
1LE21112AC114AA3	3	1200	GP100A	2 - 4
1LE21112AC213AA3	5	1200	GP100A	2 - 4
1LE21112AC214AA3	5	1200	GP100A	2 - 4
1LE21112BA113AA3	15	3600	GP100A	2 - 4
1LE21112BA114AA3	15	3600	GP100A	2 - 4
1LE21112BA213AA3	20	3600	GP100A	2 - 4
1LE21112BA214AA3	20	3600	GP100A	2 - 4
1LE21112BB113AA3	15	1800	GP100A	2 - 4
1LE21112BB114AA3	15	1800	GP100A	2 - 4
1LE21112BB213AA3	20	1800	GP100A	2 - 4
1LE21112BB214AA3	20	1800	GP100A	2 - 4
1LE21112BC113AA3	7.5	1200	GP100A	2 - 4
1LE21112BC114AA3	7.5	1200	GP100A	2 - 4
1LE21112BC213AA3	10	1200	GP100A	2 - 4
1LE21112BC214AA3	10	1200	GP100A	2 - 4
1LE21211AA113AA3	1	3600	GP100A	2 - 3
1LE21211AA114AA3	1	3600	GP100A	2 - 2

Part Number	HP	RPM	Type	Page
1LE21211AA213AA3	1.5	3600	GP100A	2 - 3
1LE21211AA214AA3	1.5	3600	GP100A	2 - 2
1LE21211AA313AA3	2	3600	GP100A	2 - 3
1LE21211AA314AA3	2	3600	GP100A	2 - 2
1LE21211AB213AA3	1	1800	GP100A	2 - 3
1LE21211AB214AA3	1	1800	GP100A	2 - 2
1LE21211AB313AA3	1.5	1800	GP100A	2 - 3
1LE21211AB314AA3	1.5	1800	GP100A	2 - 2
1LE21211AB413AA3	2	1800	GP100A	2 - 3
1LE21211AB414AA3	2	1800	GP100A	2 - 2
1LE21211AC313AA3	1	1200	GP100A	2 - 3
1LE21211AC314AA3	1	1200	GP100A	2 - 2
1LE21211CA113AA3	3	3600	GP100A	2 - 3
1LE21211CA114AA3	3	3600	GP100A	2 - 2
1LE21211CA313AA3	5	3600	GP100A	2 - 3
1LE21211CA314AA3	5	3600	GP100A	2 - 2
1LE21211CB113AA3	3	1800	GP100A	2 - 3
1LE21211CB114AA3	3	1800	GP100A	2 - 2
1LE21211CB313AA3	5	1800	GP100A	2 - 3
1LE21211CB314AA3	5	1800	GP100A	2 - 2
1LE21211CC113AA3	1.5	1200	GP100A	2 - 3
1LE21211CC114AA3	1.5	1200	GP100A	2 - 2
1LE21211CC313AA3	2	1200	GP100A	2 - 3
1LE21211CC314AA3	2	1200	GP100A	2 - 2
1LE21212AA113AA3	7.5	3600	GP100A	2 - 3
1LE21212AA114AA3	7.5	3600	GP100A	2 - 2
1LE21212AA213AA3	10	3600	GP100A	2 - 3
1LE21212AA214AA3	10	3600	GP100A	2 - 2
1LE21212AB113AA3	7.5	1800	GP100A	2 - 3
1LE21212AB114AA3	7.5	1800	GP100A	2 - 2
1LE21212AB213AA3	10	1800	GP100A	2 - 3
1LE21212AB214AA3	10	1800	GP100A	2 - 2
1LE21212AC113AA3	3	1200	GP100A	2 - 3
1LE21212AC114AA3	3	1200	GP100A	2 - 2
1LE21212AC213AA3	5	1200	GP100A	2 - 3
1LE21212AC214AA3	5	1200	GP100A	2 - 2
1LE21212BA113AA3	15	3600	GP100A	2 - 3
1LE21212BA114AA3	15	3600	GP100A	2 - 2
1LE21212BA213AA3	20	3600	GP100A	2 - 3
1LE21212BA214AA3	20	3600	GP100A	2 - 2
1LE21212BB113AA3	15	1800	GP100A	2 - 3
1LE21212BB114AA3	15	1800	GP100A	2 - 2
1LE21212BB213AA3	20	1800	GP100A	2 - 3
1LE21212BB214AA3	20	1800	GP100A	2 - 2
1LE21212BB113AA3	15	1800	GP100A	2 - 3
1LE21212BB114AA3	15	1800	GP100A	2 - 2
1LE21212BB213AA3	20	1800	GP100A	2 - 3
1LE21212BB214AA3	20	1800	GP100A	2 - 2
1LE21212BC113AA3	7.5	1200	GP100A	2 - 3
1LE21212BC114AA3	7.5	1200	GP100A	2 - 2

Part number index

NEMA motors

Part Number	HP	RPM	Type	Page
1LE21212BC213AA3	10	1200	GP100A	2 - 3
1LE21212BC214AA3	10	1200	GP100A	2 - 2
1LE22111AA213AA3	1.5	3600	GP100	2 - 14
1LE22111AA213GA3	1.5	3600	GP100	2 - 15
1LE22111AA214AA3	1.5	3600	GP100	2 - 12
1LE22111AA214GA3	1.5	3600	GP100	2 - 13
1LE22111AA313AA3	2.0	3600	GP100	2 - 14
1LE22111AA313GA3	2	3600	GP100	2 - 15
1LE22111AA314AA3	2.0	3600	GP100	2 - 12
1LE22111AA314GA3	2	3600	GP100	2 - 13
1LE22111AB213AA3	1	1800	GP100	2 - 14
1LE22111AB213GA3	1	1800	GP100	2 - 15
1LE22111AB214AA3	1	1800	GP100	2 - 12
1LE22111AB214GA3	1	1800	GP100	2 - 13
1LE22111AB313AA3	1.5	1800	GP100	2 - 14
1LE22111AB313GA3	1.5	1800	GP100	2 - 15
1LE22111AB314AA3	1.5	1800	GP100	2 - 12
1LE22111AB314GA3	1.5	1800	GP100	2 - 13
1LE22111AB413AA3	2	1800	GP100	2 - 14
1LE22111AB413GA3	2	1800	GP100	2 - 15
1LE22111AB414AA3	2	1800	GP100	2 - 12
1LE22111AB414GA3	2	1800	GP100	2 - 13
1LE22111AC313AA3	1	1200	GP100	2 - 14
1LE22111AC313GA3	1	1200	GP100	2 - 15
1LE22111AC314AA3	1	1200	GP100	2 - 12
1LE22111AC314GA3	1	1200	GP100	2 - 13
1LE22111CA113AA3	3	3600	GP100	2 - 14
1LE22111CA113GA3	3	3600	GP100	2 - 15
1LE22111CA114AA3	3	3600	GP100	2 - 12
1LE22111CA114GA3	3	3600	GP100	2 - 13
1LE22111CA313AA3	5	3600	GP100	2 - 14
1LE22111CA313GA3	5	3600	GP100	2 - 15
1LE22111CA314AA3	5	3600	GP100	2 - 12
1LE22111CA314GA3	5	3600	GP100	2 - 13
1LE22111CB113AA3	3	1800	GP100	2 - 14
1LE22111CB113GA3	3	1800	GP100	2 - 15
1LE22111CB114AA3	3	1800	GP100	2 - 12
1LE22111CB114GA3	3	1800	GP100	2 - 13
1LE22111CB313AA3	5	1800	GP100	2 - 14
1LE22111CB313GA3	5.0	1800	GP100	2 - 15
1LE22111CB314AA3	5	1800	GP100	2 - 12
1LE22111CB314GA3	5.0	1800	GP100	2 - 13
1LE22112AA113AA3	7.5	3600	GP100	2 - 14
1LE22112AA113GA3	7.5	3600	GP100	2 - 15
1LE22112AA114AA3	7.5	3600	GP100	2 - 12
1LE22112AA114GA3	7.5	3600	GP100	2 - 13

Part Number	HP	RPM	Type	Page
1LE22112AA213AA3	10	3600	GP100	2 - 14
1LE22112AA213GA3	10	3600	GP100	2 - 15
1LE22112AA214AA3	10	3600	GP100	2 - 12
1LE22112AA214GA3	10	3600	GP100	2 - 13
1LE22112AB113AA3	7.5	1800	GP100	2 - 14
1LE22112AB113GA3	7.5	1800	GP100	2 - 15
1LE22112AB114AA3	7.5	1800	GP100	2 - 12
1LE22112AB114GA3	7.5	1800	GP100	2 - 13
1LE22112AB213AA3	10.0	1800	GP100	2 - 14
1LE22112AB213GA3	10	1800	GP100	2 - 15
1LE22112AB214AA3	10.0	1800	GP100	2 - 12
1LE22112AB214GA3	10	1800	GP100	2 - 13
1LE22112AC113AA3	3	1200	GP100	2 - 14
1LE22112AC113GA3	3	1200	GP100	2 - 15
1LE22112AC114AA3	3	1200	GP100	2 - 12
1LE22112AC114GA3	3	1200	GP100	2 - 13
1LE22112AC213AA3	5	1200	GP100	2 - 14
1LE22112AC213GA3	5	1200	GP100	2 - 15
1LE22112AC214AA3	5	1200	GP100	2 - 12
1LE22112AC214GA3	5	1200	GP100	2 - 13
1LE22112BA113AA3	15	3600	GP100	2 - 14
1LE22112BA113GA3	15	3600	GP100	2 - 15
1LE22112BA114AA3	15	3600	GP100	2 - 12
1LE22112BA114GA3	15	3600	GP100	2 - 13
1LE22112BA213AA3	20	3600	GP100	2 - 14
1LE22112BA213GA3	20	3600	GP100	2 - 15
1LE22112BA214AA3	20	3600	GP100	2 - 12
1LE22112BA214GA3	20	3600	GP100	2 - 13
1LE22112BB113AA3	15	1800	GP100	2 - 14
1LE22112BB113GA3	15	1800	GP100	2 - 15
1LE22112BB114AA3	15	1800	GP100	2 - 12
1LE22112BB114GA3	15	1800	GP100	2 - 13
1LE22112BB213AA3	20	1800	GP100	2 - 14
1LE22112BB213GA3	20	1800	GP100	2 - 15
1LE22112BB214AA3	20	1800	GP100	2 - 12
1LE22112BB214GA3	20	1800	GP100	2 - 13
1LE22112BC113AA3	7.5	1200	GP100	2 - 14
1LE22112BC113GA3	7.5	1200	GP100	2 - 15
1LE22112BC114AA3	7.5	1200	GP100	2 - 12
1LE22112BC114GA3	7.5	1200	GP100	2 - 13
1LE22112BC213AA3	10	1200	GP100	2 - 14
1LE22112BC213GA3	10	1200	GP100	2 - 15
1LE22112BC214AA3	10	1200	GP100	2 - 12
1LE22112BC214GA3	10	1200	GP100	2 - 13
1LE22211AA113AA3	1	3600	GP100	2 - 9
1LE22211AA113GA3	1	3600	GP100	2 - 11

Part number index

NEMA motors

Part Number	HP	RPM	Type	Page
1LE22211AA114AA3	1	3600	GP100	2 - 6
1LE22211AA114GA3	1	3600	GP100	2 - 8
1LE22211AA213AA3	1.5	3600	GP100	2 - 9
1LE22211AA213GA3	1.5	3600	GP100	2 - 11
1LE22211AA214AA3	1.5	3600	GP100	2 - 6
1LE22211AA214GA3	1.5	3600	GP100	2 - 8
1LE22211AA313AA3	2	3600	GP100	2 - 9
1LE22211AA313GA3	2	3600	GP100	2 - 11
1LE22211AA314AA3	2	3600	GP100	2 - 6
1LE22211AA314GA3	2	3600	GP100	2 - 8
1LE22211AB213AA3	1	1800	GP100	2 - 9
1LE22211AB213GA3	1	1800	GP100	2 - 11
1LE22211AB214AA3	1	1800	GP100	2 - 6
1LE22211AB214GA3	1	1800	GP100	2 - 8
1LE22211AB313AA3	1.5	1800	GP100	2 - 9
1LE22211AB313GA3	1.5	1800	GP100	2 - 11
1LE22211AB314AA3	1.5	1800	GP100	2 - 6
1LE22211AB314GA3	1.5	1800	GP100	2 - 8
1LE22211AB413AA3	2	1800	GP100	2 - 9
1LE22211AB413GA3	2	1800	GP100	2 - 11
1LE22211AB414AA3	2	1800	GP100	2 - 6
1LE22211AB414GA3	2	1800	GP100	2 - 8
1LE22211AC313AA3	1	1200	GP100	2 - 9
1LE22211AC313GA3	1	1200	GP100	2 - 11
1LE22211AC314AA3	1	1200	GP100	2 - 6
1LE22211AC314GA3	1	1200	GP100	2 - 8
1LE22211CA113AA3	3	3600	GP100	2 - 9
1LE22211CA113GA3	3	3600	GP100	2 - 11
1LE22211CA114AA3	3	3600	GP100	2 - 6
1LE22211CA114GA3	3	3600	GP100	2 - 8
1LE22211CA313AA3	5	3600	GP100	2 - 9
1LE22211CA313GA3	5	3600	GP100	2 - 11
1LE22211CA314AA3	5	3600	GP100	2 - 6
1LE22211CA314GA3	5	3600	GP100	2 - 8
1LE22211CB113AA3	3	1800	GP100	2 - 9
1LE22211CB113GA3	3	1800	GP100	2 - 11
1LE22211CB114AA3	3	1800	GP100	2 - 6
1LE22211CB114GA3	3	1800	GP100	2 - 8
1LE22211CB313AA3	5	1800	GP100	2 - 9
1LE22211CB313GA3	5	1800	GP100	2 - 11
1LE22211CB314AA3	5	1800	GP100	2 - 6
1LE22211CB314GA3	5	1800	GP100	2 - 8
1LE22211CC113AA3	1.5	1200	GP100	2 - 9
1LE22211CC113GA3	1.5	1200	GP100	2 - 11
1LE22211CC114AA3	1.5	1200	GP100	2 - 6
1LE22211CC114GA3	1.5	1200	GP100	2 - 8

Part Number	HP	RPM	Type	Page
1LE22211CC313AA3	2	1200	GP100	2 - 9
1LE22211CC313GA3	2	1200	GP100	2 - 11
1LE22211CC314AA3	2	1200	GP100	2 - 6
1LE22211CC314GA3	2	1200	GP100	2 - 8
1LE22212AA113AA3	7.5	3600	GP100	2 - 9
1LE22212AA113GA3	7.5	3600	GP100	2 - 11
1LE22212AA114AA3	7.5	3600	GP100	2 - 6
1LE22212AA114GA3	7.5	3600	GP100	2 - 8
1LE22212AA213AA3	10	3600	GP100	2 - 9
1LE22212AA213GA3	10	3600	GP100	2 - 11
1LE22212AA214AA3	10	3600	GP100	2 - 6
1LE22212AA214GA3	10	3600	GP100	2 - 8
1LE22212AB113AA3	7.5	1800	GP100	2 - 9
1LE22212AB113GA3	7.5	1800	GP100	2 - 11
1LE22212AB114AA3	7.5	1800	GP100	2 - 6
1LE22212AB114GA3	7.5	1800	GP100	2 - 8
1LE22212AB213AA3	10	1800	GP100	2 - 9
1LE22212AB213GA3	10	1800	GP100	2 - 11
1LE22212AB214AA3	10	1800	GP100	2 - 6
1LE22212AB214GA3	10	1800	GP100	2 - 8
1LE22212AC113AA3	3	1200	GP100	2 - 9
1LE22212AC113GA3	3	1200	GP100	2 - 11
1LE22212AC114AA3	3	1200	GP100	2 - 6
1LE22212AC114GA3	3	1200	GP100	2 - 8
1LE22212AC213AA3	5	1200	GP100	2 - 9
1LE22212AC213GA3	5	1200	GP100	2 - 11
1LE22212AC214AA3	5	1200	GP100	2 - 6
1LE22212AC214GA3	5	1200	GP100	2 - 8
1LE22212BA113AA3	15	3600	GP100	2 - 9
1LE22212BA113GA3	15	3600	GP100	2 - 11
1LE22212BA114AA3	15	3600	GP100	2 - 6
1LE22212BA114GA3	15	3600	GP100	2 - 8
1LE22212BA213AA3	20	3600	GP100	2 - 9
1LE22212BA213GA3	20	3600	GP100	2 - 11
1LE22212BA214AA3	20	3600	GP100	2 - 6
1LE22212BA214GA3	20	3600	GP100	2 - 8
1LE22212BB113AA3	15	1800	GP100	2 - 9
1LE22212BB113GA3	15	1800	GP100	2 - 11
1LE22212BB114AA3	15	1800	GP100	2 - 6
1LE22212BB114GA3	15	1800	GP100	2 - 8
1LE22212BB213AA3	20	1800	GP100	2 - 9
1LE22212BB213GA3	20	1800	GP100	2 - 11
1LE22212BB214AA3	20	1800	GP100	2 - 6
1LE22212BB214GA3	20	1800	GP100	2 - 8
1LE22212BC113AA3	7.5	1200	GP100	2 - 9
1LE22212BC113GA3	7.5	1200	GP100	2 - 11

Introduction
 General Purpose Motors
 Severe Duty Motors
 Hazardous Duty Motors
 Definite Purpose Motors
 QuikMOD Detail
 Custom Options Detail
 Typical Performance Data
 General Dimensions
 Part Number Index

Part number index

NEMA motors

Part Number	HP	RPM	Type	Page
1LE22212BC114AA3	7.5	1200	GP100	2 - 6
1LE22212BC114GA3	7.5	1200	GP100	2 - 8
1LE22212BC213AA3	10	1200	GP100	2 - 9
1LE22212BC213GA3	10	1200	GP100	2 - 11
1LE22212BC214AA3	10	1200	GP100	2 - 6
1LE22212BC214GA3	10	1200	GP100	2 - 8
1LE22212CB113AA3	25	1800	GP100	2 - 9
1LE22212CB116AA3	25	1800	GP100	2 - 6
1LE22212CB213AA3	30	1800	GP100	2 - 9
1LE22212CB216AA3	30	1800	GP100	2 - 6
1LE22212CC113AA3	15	1200	GP100	2 - 9
1LE22212CC116AA3	15	1200	GP100	2 - 6
1LE22212CC213AA3	20	1200	GP100	2 - 9
1LE22212CC216AA3	20	1200	GP100	2 - 6
1LE22212CD113AA3	10	900	GP100	2 - 9
1LE22212CD116AA3	10	900	GP100	2 - 6
1LE22212CD213AA3	15	900	GP100	2 - 9
1LE22212CD216AA3	15	900	GP100	2 - 6
1LE22212DA113AA3	25	3600	GP100	2 - 9
1LE22212DA116AA3	25	3600	GP100	2 - 6
1LE22212DA213AA3	30	3600	GP100	2 - 9
1LE22212DA216AA3	30	3600	GP100	2 - 6
1LE22213AB113AA3	40	1800	GP100	2 - 9
1LE22213AB116AA3	40	1800	GP100	2 - 7
1LE22213AB213AA3	50	1800	GP100	2 - 10
1LE22213AB216AA3	50	1800	GP100	2 - 7
1LE22213AC113AA3	25	1200	GP100	2 - 9
1LE22213AC116AA3	25	1200	GP100	2 - 6
1LE22213AC213AA3	30	1200	GP100	2 - 9
1LE22213AC216AA3	30	1200	GP100	2 - 6
1LE22213AD113AA3	20	900	GP100	2 - 9
1LE22213AD116AA3	20	900	GP100	2 - 6
1LE22213AD213AA3	25	900	GP100	2 - 9
1LE22213AD216AA3	25	900	GP100	2 - 6
1LE22213BA113AA3	40	3600	GP100	2 - 9
1LE22213BA116AA3	40	3600	GP100	2 - 7
1LE22213BA213AA3	50	3600	GP100	2 - 10
1LE22213BA216AA3	50	3600	GP100	2 - 7
1LE22213CB113AA3	60	1800	GP100	2 - 10
1LE22213CB116AA3	60	1800	GP100	2 - 7
1LE22213CB213AA3	75	1800	GP100	2 - 10
1LE22213CB216AA3	75	1800	GP100	2 - 7
1LE22213CC113AA3	40	1200	GP100	2 - 9
1LE22213CC116AA3	40	1200	GP100	2 - 7
1LE22213CC213AA3	50	1200	GP100	2 - 10
1LE22213CC216AA3	50	1200	GP100	2 - 7

Part Number	HP	RPM	Type	Page
1LE22213CD113AA3	30	900	GP100	2 - 9
1LE22213CD116AA3	30	900	GP100	2 - 6
1LE22213CD213AA3	40	900	GP100	2 - 9
1LE22213CD216AA3	40	900	GP100	2 - 7
1LE22213DA113AA3	60	3600	GP100	2 - 10
1LE22213DA116AA3	60	3600	GP100	2 - 7
1LE22213DA213AA3	75	3600	GP100	2 - 10
1LE22213DA216AA3	75	3600	GP100	2 - 7
1LE22214AB212AA3	100	1800	GP100	2 - 7
1LE22214AB213AA3	100	1800	GP100	2 - 10
1LE22214AC113AA3	60	1200	GP100	2 - 10
1LE22214AC116AA3	60	1200	GP100	2 - 7
1LE22214AC213AA3	75	1200	GP100	2 - 10
1LE22214AC216AA3	75	1200	GP100	2 - 7
1LE22214BA212AA3	100	3600	GP100	2 - 7
1LE22214BA213AA3	100	3600	GP100	2 - 10
1LE22214BB212AA3	100	1800	GP100	2 - 7
1LE22214CB112AA3	125	1800	GP100	2 - 7
1LE22214CB113AA3	125	1800	GP100	2 - 10
1LE22214CB212AA3	150	1800	GP100	2 - 7
1LE22214CB213AA3	150	1800	GP100	2 - 10
1LE22214CB312AA3	200	1800	GP100	2 - 7
1LE22214CB313AA3	200	1800	GP100	2 - 10
1LE22214CC112AA3	100	1200	GP100	2 - 7
1LE22214CC113AA3	100	1200	GP100	2 - 10
1LE22214CC212AA3	125	1200	GP100	2 - 7
1LE22214CC213AA3	125	1200	GP100	2 - 10
1LE22214CC312AA3	150	1200	GP100	2 - 7
1LE22214CC313AA3	150	1200	GP100	2 - 10
1LE22214CC512AA3	200	1200	GP100	2 - 7
1LE22214CC513AA3	200	1200	GP100	2 - 10
1LE22214DA112AA3	125	3600	GP100	2 - 7
1LE22214DA113AA3	125	3600	GP100	2 - 10
1LE22214DA212AA3	150	3600	GP100	2 - 7
1LE22214DA213AA3	150	3600	GP100	2 - 10
1LE22214DA312AA3	200	3600	GP100	2 - 7
1LE22214DA313AA3	200	3600	GP100	2 - 10
1LE22214DB112AA3	125	1800	GP100	2 - 7
1LE22214DB113AA3	125	1800	GP100	2 - 10
1LE22214DB212AA3	150	1800	GP100	2 - 7
1LE22214DB213AA3	150	1800	GP100	2 - 10
1LE22214DB312AA3	200	1800	GP100	2 - 7
1LE22214DB313AA3	200	1800	GP100	2 - 10
1LE22214DC112AA3	100	1200	GP100	2 - 7
1LE22214DC212AA3	125	1200	GP100	2 - 7
1LE22214DC213AA3	125	1200	GP100	2 - 10

Part number index

NEMA motors

Part Number	HP	RPM	Type	Page
1LE22214DC312AA3	150	1200	GP100	2 - 7
1LE22214DC313AA3	150	1200	GP100	2 - 10
1LE22214DC512AA3	200	1200	GP100	2 - 7
1LE22214DC513AA3	200	1200	GP100	2 - 10
1LE22214EB112AA3	125	1800	GP100	2 - 7
1LE22214EB113AA3	125	1800	GP100	2 - 10
1LE22214EB212AA3	150	1800	GP100	2 - 7
1LE22214EB213AA3	150	1800	GP100	2 - 10
1LE22214EB312AA3	200	1800	GP100	2 - 7
1LE22214EB313AA3	200	1800	GP100	2 - 10
1LE22214EC212AA3	125	1200	GP100	2 - 7
1LE22214EC213AA3	125	1200	GP100	2 - 10
1LE22214EC312AA3	150	1200	GP100	2 - 7
1LE22214EC313AA3	150	1200	GP100	2 - 10
1LE22214EC512AA3	200	1200	GP100	2 - 7
1LE22214EC513AA3	200	1200	GP100	2 - 10
1LE23011AM240AA3	1 / 0.25	1800/900	SD10 MS	2 - 76
1LE23011AM240AA3	1/0.25	1800/900	SD10 MS	2 - 76
1LE23011AM340AA3	1.5 / 0.37	1800/900	SD10 MS	2 - 76
1LE23011AM340AA3	1.5/0.37	1800/900	SD10 MS	2 - 76
1LE23011CM140AA3	2 / 0.5	1800/900	SD10 MS	2 - 76
1LE23011CM140AA3	2/0.5	1800/900	SD10 MS	2 - 76
1LE23011CM340AA3	3 / 0.75	1800/900	SD10 MS	2 - 76
1LE23011CM340AA3	3/0.75	1800/900	SD10 MS	2 - 76
1LE23011CM440AA3	5 / 1.2	1800/900	SD10 MS	2 - 76
1LE23011CM440AA3	5/1.2	1800/900	SD10 MS	2 - 76
1LE23012AM140AA3	5 / 1.2	1800/900	SD10 MS	2 - 76
1LE23012AM140AA3	5/1.2	1800/900	SD10 MS	2 - 76
1LE23012AM240AA3	7.5 / 1.9	1800/900	SD10 MS	2 - 76
1LE23012AM240AA3	7.5/1.9	1800/900	SD10 MS	2 - 76
1LE23012BM140AA3	10 / 2.5	1800/900	SD10 MS	2 - 76
1LE23012BM140AA3	10/2.5	1800/900	SD10 MS	2 - 76
1LE23012BM240AA3	15 / 3.7	1800/900	SD10 MS	2 - 76
1LE23012BM240AA3	15/3.7	1800/900	SD10 MS	2 - 76
1LE23012CM140AA3	20 / 5	1800/900	SD10 MS	2 - 76
1LE23012CM140AA3	20/5	1800/900	SD10 MS	2 - 76
1LE23012CM144AA3	20 / 5	1800/900	SD10 MS	2 - 76
1LE23012CM144AA3	20/5	1800/900	SD10 MS	2 - 76
1LE23012CM240AA3	25 / 6.2	1800/900	SD10 MS	2 - 76
1LE23012CM240AA3	25/6.2	1800/900	SD10 MS	2 - 76
1LE23012CM244AA3	25 / 6.2	1800/900	SD10 MS	2 - 76
1LE23012CM244AA3	25/6.2	1800/900	SD10 MS	2 - 76
1LE23013AM140AA3	30 / 7.5	1800/900	SD10 MS	2 - 76
1LE23013AM140AA3	30/7.5	1800/900	SD10 MS	2 - 76
1LE23013AM144AA3	30 / 7.5	1800/900	SD10 MS	2 - 76
1LE23013AM144AA3	30/7.5	1800/900	SD10 MS	2 - 76

Part Number	HP	RPM	Type	Page
1LE23013AM240AA3	40 / 10	1800/900	SD10 MS	2 - 76
1LE23013AM240AA3	40/10	1800/900	SD10 MS	2 - 76
1LE23013AM244AA3	40 / 10	1800/900	SD10 MS	2 - 76
1LE23013AM244AA3	40/10	1800/900	SD10 MS	2 - 76
1LE23013CM140AA3	50 / 12	1800/900	SD10 MS	2 - 76
1LE23013CM140AA3	50/12	1800/900	SD10 MS	2 - 76
1LE23013CM144AA3	50 / 12	1800/900	SD10 MS	2 - 76
1LE23013CM144AA3	50/12	1800/900	SD10 MS	2 - 76
1LE23013CM240AA3	60 / 15	1800/900	SD10 MS	2 - 76
1LE23013CM240AA3	60/15	1800/900	SD10 MS	2 - 76
1LE23013CM244AA3	60 / 15	1800/900	SD10 MS	2 - 76
1LE23013CM244AA3	60/15	1800/900	SD10 MS	2 - 76
1LE23014AM240AA3	75 / 19	1800/900	SD10 MS	2 - 76
1LE23014AM240AA3	75/19	1800/900	SD10 MS	2 - 76
1LE23014AM244AA3	75 / 19	1800/900	SD10 MS	2 - 76
1LE23014AM244AA3	75/19	1800/900	SD10 MS	2 - 76
1LE23014DM140AA3	100 / 25	1800/900	SD10 MS	2 - 76
1LE23014DM140AA3	100/25	1800/900	SD10 MS	2 - 76
1LE23014DM144AA3	100 / 25	1800/900	SD10 MS	2 - 76
1LE23014DM144AA3	100/25	1800/900	SD10 MS	2 - 76
1LE23014DM240AA3	125 / 31	1800/900	SD10 MS	2 - 76
1LE23014DM240AA3	125/31	1800/900	SD10 MS	2 - 76
1LE23014DM244AA3	125 / 31	1800/900	SD10 MS	2 - 76
1LE23014DM244AA3	125/31	1800/900	SD10 MS	2 - 76
1LE23014DM340AA3	150 / 37	1800/900	SD10 MS	2 - 76
1LE23014DM340AA3	150/37	1800/900	SD10 MS	2 - 76
1LE23014DM340AA3	200 / 50	1800/900	SD10 MS	2 - 76
1LE23014DM340AA3	200/50	1800/900	SD10 MS	2 - 76
1LE23014DM344AA3	150 / 37	1800/900	SD10 MS	2 - 76
1LE23014DM344AA3	150/37	1800/900	SD10 MS	2 - 76
1LE23014DM344AA3	200 / 50	1800/900	SD10 MS	2 - 76
1LE23014DM344AA3	200/50	1800/900	SD10 MS	2 - 76
1LE23014DM640AA3	250 / 62.5	1800/900	SD10 MS	2 - 76
1LE23014DM640AA3	250/62.5	1800/900	SD10 MS	2 - 76
1LE23014DM644AA3	250 / 62.5	1800/900	SD10 MS	2 - 76
1LE23014DM644AA3	250/62.5	1800/900	SD10 MS	2 - 76
1LE23014EM140AA3	100 / 25	1800/900	SD10 MS	2 - 76
1LE23014EM140AA3	100/25	1800/900	SD10 MS	2 - 76
1LE23014EM144AA3	100 / 25	1800/900	SD10 MS	2 - 76
1LE23014EM144AA3	100/25	1800/900	SD10 MS	2 - 76
1LE23014EM240AA3	125 / 31	1800/900	SD10 MS	2 - 76
1LE23014EM240AA3	125/31	1800/900	SD10 MS	2 - 76
1LE23014EM244AA3	125 / 31	1800/900	SD10 MS	2 - 76
1LE23014EM244AA3	125/31	1800/900	SD10 MS	2 - 76
1LE23014EM340AA3	150 / 37	1800/900	SD10 MS	2 - 76
1LE23014EM340AA3	150/37	1800/900	SD10 MS	2 - 76

Part number index

NEMA motors

Part Number	HP	RPM	Type	Page
1LE23014EM340AA3	200 / 50	1800/900	SD10 MS	2 - 76
1LE23014EM340AA3	200/50	1800/900	SD10 MS	2 - 76
1LE23014EM344AA3	150 / 37	1800/900	SD10 MS	2 - 76
1LE23014EM344AA3	150/37	1800/900	SD10 MS	2 - 76
1LE23014EM344AA3	200 / 50	1800/900	SD10 MS	2 - 76
1LE23014EM344AA3	200/50	1800/900	SD10 MS	2 - 76
1LE23014EM640AA3	250 / 62.5	1800/900	SD10 MS	2 - 76
1LE23014EM640AA3	250/62.5	1800/900	SD10 MS	2 - 76
1LE23014EM644AA3	250 / 62.5	1800/900	SD10 MS	2 - 76
1LE23014EM644AA3	250/62.5	1800/900	SD10 MS	2 - 76
1LE23111AA213AA3	1.5	3600	SD100	2 - 34
1LE23111AA213GA3	1.5	3600	SD100	2 - 35
1LE23111AA214AA3	1.5	3600	SD100	2 - 32
1LE23111AA214GA3	1.5	3600	SD100	2 - 33
1LE23111AA313AA3	2	3600	SD100	2 - 34
1LE23111AA313GA3	2	3600	SD100	2 - 35
1LE23111AA314AA3	2	3600	SD100	2 - 32
1LE23111AA314GA3	2	3600	SD100	2 - 33
1LE23111AB213AA3	1	1800	SD100	2 - 34
1LE23111AB213GA3	1	1800	SD100	2 - 35
1LE23111AB214AA3	1	1800	SD100	2 - 32
1LE23111AB214GA3	1	1800	SD100	2 - 33
1LE23111AB313AA3	1.5	1800	SD100	2 - 34
1LE23111AB313GA3	1.5	1800	SD100	2 - 35
1LE23111AB314AA3	1.5	1800	SD100	2 - 32
1LE23111AB314GA3	1.5	1800	SD100	2 - 33
1LE23111AB413AA3	2	1800	SD100	2 - 34
1LE23111AB413GA3	2	1800	SD100	2 - 35
1LE23111AB414AA3	2	1800	SD100	2 - 32
1LE23111AB414GA3	2	1800	SD100	2 - 33
1LE23111AC313AA3	1	1200	SD100	2 - 34
1LE23111AC313GA3	1	1200	SD100	2 - 35
1LE23111AC314AA3	1	1200	SD100	2 - 32
1LE23111AC314GA3	1	1200	SD100	2 - 33
1LE23111CA113AA3	3	3600	SD100	2 - 34
1LE23111CA113GA3	3	3600	SD100	2 - 35
1LE23111CA114AA3	3	3600	SD100	2 - 32
1LE23111CA114GA3	3	3600	SD100	2 - 33
1LE23111CA313AA3	5	3600	SD100	2 - 34
1LE23111CA313GA3	5	3600	SD100	2 - 35
1LE23111CA314AA3	5	3600	SD100	2 - 32
1LE23111CA314GA3	5	3600	SD100	2 - 33
1LE23111CB113AA3	3	1800	SD100	2 - 34
1LE23111CB113GA3	3	1800	SD100	2 - 35
1LE23111CB114AA3	3	1800	SD100	2 - 32
1LE23111CB114GA3	3	1800	SD100	2 - 33

Part Number	HP	RPM	Type	Page
1LE23111CB313AA3	5	1800	SD100	2 - 34
1LE23111CB313GA3	5	1800	SD100	2 - 35
1LE23111CB314AA3	5	1800	SD100	2 - 32
1LE23111CB314GA3	5	1800	SD100	2 - 33
1LE23112AA113AA3	7.5	3600	SD100	2 - 34
1LE23112AA113GA3	7.5	3600	SD100	2 - 35
1LE23112AA114AA3	7.5	3600	SD100	2 - 32
1LE23112AA114GA3	7.5	3600	SD100	2 - 33
1LE23112AA213AA3	10	3600	SD100	2 - 34
1LE23112AA213GA3	10	3600	SD100	2 - 35
1LE23112AA214AA3	10	3600	SD100	2 - 32
1LE23112AA214GA3	10	3600	SD100	2 - 33
1LE23112AB113AA3	7.5	1800	SD100	2 - 34
1LE23112AB113GA3	7.5	1800	SD100	2 - 35
1LE23112AB114AA3	7.5	1800	SD100	2 - 32
1LE23112AB114GA3	7.5	1800	SD100	2 - 33
1LE23112AB213AA3	10	1800	SD100	2 - 34
1LE23112AB213GA3	10	1800	SD100	2 - 35
1LE23112AB214AA3	10	1800	SD100	2 - 32
1LE23112AB214GA3	10	1800	SD100	2 - 33
1LE23112AC113AA3	3	1200	SD100	2 - 34
1LE23112AC113GA3	3	1200	SD100	2 - 35
1LE23112AC114AA3	3	1200	SD100	2 - 32
1LE23112AC114GA3	3	1200	SD100	2 - 33
1LE23112AC213AA3	5	1200	SD100	2 - 34
1LE23112AC213GA3	5	1200	SD100	2 - 35
1LE23112AC214AA3	5	1200	SD100	2 - 32
1LE23112AC214GA3	5	1200	SD100	2 - 33
1LE23112BA113AA3	15	3600	SD100	2 - 34
1LE23112BA113GA3	15	3600	SD100	2 - 35
1LE23112BA114AA3	15	3600	SD100	2 - 32
1LE23112BA114GA3	15	3600	SD100	2 - 33
1LE23112BA213AA3	20	3600	SD100	2 - 34
1LE23112BA213GA3	20	3600	SD100	2 - 35
1LE23112BA214AA3	20	3600	SD100	2 - 32
1LE23112BA214GA3	20	3600	SD100	2 - 33
1LE23112BB113AA3	15	1800	SD100	2 - 34
1LE23112BB113GA3	15	1800	SD100	2 - 35
1LE23112BB114AA3	15	1800	SD100	2 - 32
1LE23112BB114GA3	15	1800	SD100	2 - 33
1LE23112BB213AA3	20	1800	SD100	2 - 34
1LE23112BB213GA3	20	1800	SD100	2 - 35
1LE23112BB214AA3	20	1800	SD100	2 - 32
1LE23112BB214GA3	20	1800	SD100	2 - 33
1LE23112BC113AA3	7.5	1200	SD100	2 - 34
1LE23112BC113GA3	7.5	1200	SD100	2 - 35

Part number index

NEMA motors

Part Number	HP	RPM	Type	Page
1LE23112BC114AA3	7.5	1200	SD100	2 - 32
1LE23112BC114GA3	7.5	1200	SD100	2 - 33
1LE23112BC213AA3	10	1200	SD100	2 - 34
1LE23112BC213GA3	10	1200	SD100	2 - 35
1LE23112BC214AA3	10	1200	SD100	2 - 32
1LE23112BC214GA3	10	1200	SD100	2 - 33
1LE23211AA113AA3	1	3600	SD100	2 - 28
1LE23211AA113GA3	1	3600	SD100	2 - 31
1LE23211AA114AA3	1	3600	SD100	2 - 24
1LE23211AA114GA3	1	3600	SD100	2 - 27
1LE23211AA213AA3	1.5	3600	SD100	2 - 28
1LE23211AA213GA3	1.5	3600	SD100	2 - 31
1LE23211AA214AA3	1.5	3600	SD100	2 - 24
1LE23211AA214GA3	1.5	3600	SD100	2 - 27
1LE23211AA313AA3	2	3600	SD100	2 - 28
1LE23211AA313GA3	2	3600	SD100	2 - 31
1LE23211AA314AA3	2	3600	SD100	2 - 24
1LE23211AA314GA3	2	3600	SD100	2 - 27
1LE23211AB213AA3	1	1800	SD100	2 - 28
1LE23211AB213GA3	1	1800	SD100	2 - 31
1LE23211AB214AA3	1	1800	SD100	2 - 24
1LE23211AB214GA3	1	1800	SD100	2 - 27
1LE23211AB313AA3	1.5	1800	SD100	2 - 28
1LE23211AB313GA3	1.5	1800	SD100	2 - 31
1LE23211AB314AA3	1.5	1800	SD100	2 - 24
1LE23211AB314GA3	1.5	1800	SD100	2 - 27
1LE23211AB413AA3	2	1800	SD100	2 - 28
1LE23211AB413GA3	2	1800	SD100	2 - 31
1LE23211AB414AA3	2	1800	SD100	2 - 24
1LE23211AB414GA3	2	1800	SD100	2 - 27
1LE23211AC313AA3	1	1200	SD100	2 - 28
1LE23211AC313GA3	1	1200	SD100	2 - 31
1LE23211AC314AA3	1	1200	SD100	2 - 24
1LE23211AC314GA3	1	1200	SD100	2 - 27
1LE23211CA113AA3	3	3600	SD100	2 - 28
1LE23211CA113GA3	3	3600	SD100	2 - 31
1LE23211CA114AA3	3	3600	SD100	2 - 24
1LE23211CA114GA3	3	3600	SD100	2 - 27
1LE23211CA313AA3	5	3600	SD100	2 - 28
1LE23211CA313GA3	5	3600	SD100	2 - 31
1LE23211CA314AA3	5	3600	SD100	2 - 24
1LE23211CA314GA3	5	3600	SD100	2 - 27
1LE23211CB113AA3	3	1800	SD100	2 - 28
1LE23211CB113GA3	3	1800	SD100	2 - 31
1LE23211CB114AA3	3	1800	SD100	2 - 24
1LE23211CB114GA3	3	1800	SD100	2 - 27

Part Number	HP	RPM	Type	Page
1LE23211CB313AA3	5	1800	SD100	2 - 28
1LE23211CB313GA3	5	1800	SD100	2 - 31
1LE23211CB314AA3	5	1800	SD100	2 - 24
1LE23211CB314GA3	5	1800	SD100	2 - 27
1LE23211CC113AA3	1.5	1200	SD100	2 - 28
1LE23211CC113GA3	1.5	1200	SD100	2 - 31
1LE23211CC114AA3	1.5	1200	SD100	2 - 24
1LE23211CC114GA3	1.5	1200	SD100	2 - 27
1LE23211CC313AA3	2	1200	SD100	2 - 28
1LE23211CC313GA3	2	1200	SD100	2 - 31
1LE23211CC314AA3	2	1200	SD100	2 - 24
1LE23211CC314GA3	2	1200	SD100	2 - 27
1LE23212AA113AA3	7.5	3600	SD100	2 - 28
1LE23212AA113GA3	7.5	3600	SD100	2 - 31
1LE23212AA114AA3	7.5	3600	SD100	2 - 24
1LE23212AA114GA3	7.5	3600	SD100	2 - 27
1LE23212AA213AA3	10	3600	SD100	2 - 28
1LE23212AA213GA3	10	3600	SD100	2 - 31
1LE23212AA214AA3	10	3600	SD100	2 - 24
1LE23212AA214GA3	10	3600	SD100	2 - 27
1LE23212AB113AA3	7.5	1800	SD100	2 - 28
1LE23212AB113GA3	7.5	1800	SD100	2 - 31
1LE23212AB114AA3	7.5	1800	SD100	2 - 24
1LE23212AB114GA3	7.5	1800	SD100	2 - 27
1LE23212AB213AA3	10	1800	SD100	2 - 28
1LE23212AB213GA3	10	1800	SD100	2 - 31
1LE23212AB214AA3	10	1800	SD100	2 - 24
1LE23212AB214GA3	10	1800	SD100	2 - 27
1LE23212AC113AA3	3	1200	SD100	2 - 28
1LE23212AC113GA3	3	1200	SD100	2 - 31
1LE23212AC114AA3	3	1200	SD100	2 - 24
1LE23212AC114GA3	3	1200	SD100	2 - 27
1LE23212AC213AA3	5	1200	SD100	2 - 28
1LE23212AC213GA3	5	1200	SD100	2 - 31
1LE23212AC214AA3	5	1200	SD100	2 - 24
1LE23212AC214GA3	5	1200	SD100	2 - 27
1LE23212BA113AA3	15	3600	SD100	2 - 28
1LE23212BA113GA3	15	3600	SD100	2 - 31
1LE23212BA114AA3	15	3600	SD100	2 - 24
1LE23212BA114GA3	15	3600	SD100	2 - 27
1LE23212BA213AA3	20	3600	SD100	2 - 28
1LE23212BA213GA3	20	3600	SD100	2 - 31
1LE23212BA214AA3	20	3600	SD100	2 - 24
1LE23212BA214GA3	20	3600	SD100	2 - 27
1LE23212BB113AA3	15	1800	SD100	2 - 28
1LE23212BB113GA3	15	1800	SD100	2 - 31

Part number index

NEMA motors

Part Number	HP	RPM	Type	Page
1LE23212BB114AA3	15	1800	SD100	2 - 24
1LE23212BB114GA3	15	1800	SD100	2 - 27
1LE23212BB213AA3	20	1800	SD100	2 - 28
1LE23212BB213GA3	20	1800	SD100	2 - 31
1LE23212BB214AA3	20	1800	SD100	2 - 24
1LE23212BB214GA3	20	1800	SD100	2 - 27
1LE23212BC113AA3	7.5	1200	SD100	2 - 28
1LE23212BC113GA3	7.5	1200	SD100	2 - 31
1LE23212BC114AA3	7.5	1200	SD100	2 - 24
1LE23212BC114GA3	7.5	1200	SD100	2 - 27
1LE23212BC213AA3	10	1200	SD100	2 - 28
1LE23212BC213GA3	10	1200	SD100	2 - 31
1LE23212BC214AA3	10	1200	SD100	2 - 24
1LE23212BC214GA3	10	1200	SD100	2 - 27
1LE23212CB112AA3	25	1800	SD100	2 - 24
1LE23212CB113AA3	25	1800	SD100	2 - 28
1LE23212CB212AA3	30	1800	SD100	2 - 24
1LE23212CB213AA3	30	1800	SD100	2 - 28
1LE23212CC113AA3	15	1200	SD100	2 - 28
1LE23212CC116AA3	15	1200	SD100	2 - 24
1LE23212CC213AA3	20	1200	SD100	2 - 28
1LE23212CC216AA3	20	1200	SD100	2 - 24
1LE23212DA112AA3	25	3600	SD100	2 - 24
1LE23212DA113AA3	25	3600	SD100	2 - 28
1LE23212DA212AA3	30	3600	SD100	2 - 24
1LE23212DA213AA3	30	3600	SD100	2 - 28
1LE23212DB112AA3	25	1800	SD100	2 - 24
1LE23212DB113AA3	25	1800	SD100	2 - 28
1LE23212DB212AA3	30	1800	SD100	2 - 24
1LE23212DB213AA3	30	1800	SD100	2 - 28
1LE23213AB112AA3	40	1800	SD100	2 - 25
1LE23213AB113AA3	40	1800	SD100	2 - 29
1LE23213AB212AA3	50	1800	SD100	2 - 25
1LE23213AB213AA3	50	1800	SD100	2 - 29
1LE23213AC112AA3	25	1200	SD100	2 - 24
1LE23213AC113AA3	25	1200	SD100	2 - 28
1LE23213AC212AA3	30	1200	SD100	2 - 24
1LE23213AC213AA3	30	1200	SD100	2 - 28
1LE23213BA112AA3	40	3600	SD100	2 - 25
1LE23213BA113AA3	40	3600	SD100	2 - 29
1LE23213BA212AA3	50	3600	SD100	2 - 25
1LE23213BA213AA3	50	3600	SD100	2 - 29
1LE23213BB112AA3	40	1800	SD100	2 - 25
1LE23213BB113AA3	40	1800	SD100	2 - 29
1LE23213BB212AA3	50	1800	SD100	2 - 25
1LE23213BB213AA3	50	1800	SD100	2 - 29

Part Number	HP	RPM	Type	Page
1LE23213CB112AA3	60	1800	SD100	2 - 25
1LE23213CB113AA3	60	1800	SD100	2 - 29
1LE23213CB212AA3	75	1800	SD100	2 - 25
1LE23213CB213AA3	75	1800	SD100	2 - 29
1LE23213CC112AA3	40	1200	SD100	2 - 25
1LE23213CC113AA3	40	1200	SD100	2 - 29
1LE23213CC212AA3	50	1200	SD100	2 - 25
1LE23213CC213AA3	50	1200	SD100	2 - 29
1LE23213DA112AA3	60	3600	SD100	2 - 25
1LE23213DA113AA3	60	3600	SD100	2 - 29
1LE23213DA212AA3	75	3600	SD100	2 - 25
1LE23213DA213AA3	75	3600	SD100	2 - 29
1LE23213DB112AA3	60	1800	SD100	2 - 25
1LE23213DB113AA3	60	1800	SD100	2 - 29
1LE23213DB212AA3	75	1800	SD100	2 - 25
1LE23213DB213AA3	75	1800	SD100	2 - 29
1LE23214AB212AA3	100	1800	SD100	2 - 25
1LE23214AB213AA3	100	1800	SD100	2 - 29
1LE23214AC112AA3	60	1200	SD100	2 - 25
1LE23214AC113AA3	60	1200	SD100	2 - 29
1LE23214AC212AA3	75	1200	SD100	2 - 25
1LE23214AC213AA3	75	1200	SD100	2 - 29
1LE23214BA212AA3	100	3600	SD100	2 - 25
1LE23214BA213AA3	100	3600	SD100	2 - 29
1LE23214BB212AA3	100	1800	SD100	2 - 25
1LE23214BB213AA3	100	1800	SD100	2 - 29
1LE23214CB112AA3	125	1800	SD100	2 - 25
1LE23214CB113AA3	125	1800	SD100	2 - 29
1LE23214CB212AA3	150	1800	SD100	2 - 25
1LE23214CB213AA3	150	1800	SD100	2 - 29
1LE23214CB312AA3	200	1800	SD100	2 - 26
1LE23214CB313AA3	200	1800	SD100	2 - 30
1LE23214CB512AA3	250	1800	SD100	2 - 26
1LE23214CB513AA3	250	1800	SD100	2 - 30
1LE23214CB612AA3	300	1800	SD100	2 - 26
1LE23214CB613AA3	300	1800	SD100	2 - 30
1LE23214CC112AA3	100	1200	SD100	2 - 25
1LE23214CC113AA3	100	1200	SD100	2 - 29
1LE23214CC212AA3	125	1200	SD100	2 - 25
1LE23214CC213AA3	125	1200	SD100	2 - 29
1LE23214CC312AA3	150	1200	SD100	2 - 25
1LE23214CC313AA3	150	1200	SD100	2 - 29
1LE23214CC512AA3	200	1200	SD100	2 - 26
1LE23214CC513AA3	200	1200	SD100	2 - 30
1LE23214CC612AA3	250	1200	SD100	2 - 26
1LE23214CC613AA3	250	1200	SD100	2 - 30

Part number index

NEMA motors

Part Number	HP	RPM	Type	Page
1LE23214DA112AA3	125	3600	SD100	2 - 25
1LE23214DA113AA3	125	3600	SD100	2 - 29
1LE23214DA212AA3	150	3600	SD100	2 - 25
1LE23214DA213AA3	150	3600	SD100	2 - 29
1LE23214DA312AA3	200	3600	SD100	2 - 26
1LE23214DA313AA3	200	3600	SD100	2 - 30
1LE23214DA512AA3	250	3600	SD100	2 - 26
1LE23214DA513AA3	250	3600	SD100	2 - 30
1LE23214DA612AA3	300	3600	SD100	2 - 26
1LE23214DA613AA3	300	3600	SD100	2 - 30
1LE23214DB112AA3	125	1800	SD100	2 - 25
1LE23214DB113AA3	125	1800	SD100	2 - 29
1LE23214DB212AA3	150	1800	SD100	2 - 25
1LE23214DB213AA3	150	1800	SD100	2 - 29
1LE23214DB312AA3	200	1800	SD100	2 - 26
1LE23214DB313AA3	200	1800	SD100	2 - 30
1LE23214DB512AA3	250	1800	SD100	2 - 26
1LE23214DB513AA3	250	1800	SD100	2 - 30
1LE23214DB612AA3	300	1800	SD100	2 - 26
1LE23214DB613AA3	300	1800	SD100	2 - 30
1LE23214DC112AA3	100	1200	SD100	2 - 25
1LE23214DC113AA3	100	1200	SD100	2 - 29
1LE23214DC212AA3	125	1200	SD100	2 - 25
1LE23214DC213AA3	125	1200	SD100	2 - 29
1LE23214DC312AA3	150	1200	SD100	2 - 25
1LE23214DC313AA3	150	1200	SD100	2 - 29
1LE23214DC512AA3	200	1200	SD100	2 - 26
1LE23214DC513AA3	200	1200	SD100	2 - 30
1LE23214DC612AA3	250	1200	SD100	2 - 26
1LE23214DC613AA3	250	1200	SD100	2 - 30
1LE23214EB112AA3	125	1800	SD100	2 - 25
1LE23214EB113AA3	125	1800	SD100	2 - 29
1LE23214EB212AA3	150	1800	SD100	2 - 25
1LE23214EB213AA3	150	1800	SD100	2 - 29
1LE23214EB312AA3	200	1800	SD100	2 - 26
1LE23214EB313AA3	200	1800	SD100	2 - 30
1LE23214EB512AA3	250	1800	SD100	2 - 26
1LE23214EB513AA3	250	1800	SD100	2 - 30
1LE23214EB612AA3	300	1800	SD100	2 - 26
1LE23214EB613AA3	300	1800	SD100	2 - 30
1LE23214EC112AA3	100	1200	SD100	2 - 25
1LE23214EC113AA3	100	1200	SD100	2 - 29
1LE23214EC212AA3	125	1200	SD100	2 - 25
1LE23214EC213AA3	125	1200	SD100	2 - 29
1LE23214EC312AA3	150	1200	SD100	2 - 25
1LE23214EC313AA3	150	1200	SD100	2 - 29

Part Number	HP	RPM	Type	Page
1LE23214EC512AA3	200	1200	SD100	2 - 26
1LE23214EC513AA3	200	1200	SD100	2 - 30
1LE23214EC612AA3	250	1200	SD100	2 - 26
1LE23214EC613AA3	250	1200	SD100	2 - 30
1LE23214FB212AA3	350	1800	SD100	2 - 26
1LE23214FB213AA3	350	1800	SD100	2 - 30
1LE23214FB312AA3	400	1800	SD100	2 - 26
1LE23214FB313AA3	400	1800	SD100	2 - 30
1LE23214FC112AA3	300	1200	SD100	2 - 26
1LE23214FC113AA3	300	1200	SD100	2 - 30
1LE23214GA112AA3	350	3600	SD100	2 - 26
1LE23214GA113AA3	350	3600	SD100	2 - 30
1LE23214GA312AA3	400	3600	SD100	2 - 26
1LE23214GA313AA3	400	3600	SD100	2 - 30
1LE23214GB212AA3	350	1800	SD100	2 - 26
1LE23214GB213AA3	350	1800	SD100	2 - 30
1LE23214GB312AA3	400	1800	SD100	2 - 26
1LE23214GB313AA3	400	1800	SD100	2 - 30
1LE24111AA212AA3	1.5	3600	SD100 IEEEE841	2 - 48
1LE24111AA213AA3	1.5	3600	SD100 IEEEE841	2 - 49
1LE24111AA312AA3	2	3600	SD100 IEEEE841	2 - 48
1LE24111AA313AA3	2	3600	SD100 IEEEE841	2 - 49
1LE24111AB212AA3	1	1800	SD100 IEEEE841	2 - 48
1LE24111AB213AA3	1	1800	SD100 IEEEE841	2 - 49
1LE24111AB312AA3	1.5	1800	SD100 IEEEE841	2 - 48
1LE24111AB313AA3	1.5	1800	SD100 IEEEE841	2 - 49
1LE24111AB412AA3	2	1800	SD100 IEEEE841	2 - 48
1LE24111AB413AA3	2	1800	SD100 IEEEE841	2 - 49
1LE24111AC312AA3	1	1200	SD100 IEEEE841	2 - 48
1LE24111AC313AA3	1	1200	SD100 IEEEE841	2 - 49
1LE24111CA112AA3	3	3600	SD100 IEEEE841	2 - 48
1LE24111CA113AA3	3	3600	SD100 IEEEE841	2 - 49
1LE24111CA312AA3	5	3600	SD100 IEEEE841	2 - 48
1LE24111CA313AA3	5	3600	SD100 IEEEE841	2 - 49
1LE24111CB112AA3	3	1800	SD100 IEEEE841	2 - 48
1LE24111CB113AA3	3	1800	SD100 IEEEE841	2 - 49
1LE24111CB312AA3	5	1800	SD100 IEEEE841	2 - 48
1LE24111CB313AA3	5	1800	SD100 IEEEE841	2 - 49
1LE24112AA112AA3	7.5	3600	SD100 IEEEE841	2 - 48
1LE24112AA113AA3	7.5	3600	SD100 IEEEE841	2 - 49
1LE24112AA212AA3	10	3600	SD100 IEEEE841	2 - 48
1LE24112AA213AA3	10	3600	SD100 IEEEE841	2 - 49
1LE24112AB112AA3	7.5	1800	SD100 IEEEE841	2 - 48
1LE24112AB113AA3	7.5	1800	SD100 IEEEE841	2 - 49
1LE24112AB212AA3	10	1800	SD100 IEEEE841	2 - 48
1LE24112AB213AA3	10	1800	SD100 IEEEE841	2 - 49

Part number index

NEMA motors

Part Number	HP	RPM	Type	Page
1LE24112AC112AA3	3	1200	SD100 IEEEE841	2 - 48
1LE24112AC113AA3	3	1200	SD100 IEEEE841	2 - 49
1LE24112AC212AA3	5	1200	SD100 IEEEE841	2 - 48
1LE24112AC213AA3	5	1200	SD100 IEEEE841	2 - 49
1LE24112BA112AA3	15	3600	SD100 IEEEE841	2 - 48
1LE24112BA113AA3	15	3600	SD100 IEEEE841	2 - 49
1LE24112BA212AA3	20	3600	SD100 IEEEE841	2 - 48
1LE24112BA213AA3	20	3600	SD100 IEEEE841	2 - 49
1LE24112BB112AA3	15	1800	SD100 IEEEE841	2 - 48
1LE24112BB113AA3	15	1800	SD100 IEEEE841	2 - 49
1LE24112BB212AA3	20	1800	SD100 IEEEE841	2 - 48
1LE24112BB213AA3	20	1800	SD100 IEEEE841	2 - 49
1LE24112BC112AA3	7.5	1200	SD100 IEEEE841	2 - 48
1LE24112BC113AA3	7.5	1200	SD100 IEEEE841	2 - 49
1LE24112BC212AA3	10	1200	SD100 IEEEE841	2 - 48
1LE24112BC213AA3	10	1200	SD100 IEEEE841	2 - 49
1LE24211AA112AA3	1	3600	SD100 IEEEE841	2 - 38
1LE24211AA112GA3	1	3600	SD100 IEEEE841	2 - 42
1LE24211AA113AA3	1	3600	SD100 IEEEE841	2 - 43
1LE24211AA113GA3	1	3600	SD100 IEEEE841	2 - 47
1LE24211AA212AA3	1.5	3600	SD100 IEEEE841	2 - 38
1LE24211AA212GA3	1.5	3600	SD100 IEEEE841	2 - 42
1LE24211AA213AA3	1.5	3600	SD100 IEEEE841	2 - 43
1LE24211AA213GA3	1.5	3600	SD100 IEEEE841	2 - 47
1LE24211AA312AA3	2	3600	SD100 IEEEE841	2 - 38
1LE24211AA313AA3	2	3600	SD100 IEEEE841	2 - 43
1LE24211AB212AA3	1	1800	SD100 IEEEE841	2 - 38
1LE24211AB212GA3	1	1800	SD100 IEEEE841	2 - 42
1LE24211AB213AA3	1	1800	SD100 IEEEE841	2 - 43
1LE24211AB213GA3	1	1800	SD100 IEEEE841	2 - 47
1LE24211AB312AA3	1.5	1800	SD100 IEEEE841	2 - 38
1LE24211AB312GA3	1.5	1800	SD100 IEEEE841	2 - 42
1LE24211AB313AA3	1.5	1800	SD100 IEEEE841	2 - 43
1LE24211AB313GA3	1.5	1800	SD100 IEEEE841	2 - 47
1LE24211AB412AA3	2	1800	SD100 IEEEE841	2 - 38
1LE24211AB412GA3	2	1800	SD100 IEEEE841	2 - 42
1LE24211AB413AA3	2	1800	SD100 IEEEE841	2 - 43
1LE24211AB413GA3	2	1800	SD100 IEEEE841	2 - 47
1LE24211AC312AA3	1	1200	SD100 IEEEE841	2 - 38
1LE24211AC313AA3	1	1200	SD100 IEEEE841	2 - 43
1LE24211CA112AA3	3	3600	SD100 IEEEE841	2 - 38
1LE24211CA112GA3	3	3600	SD100 IEEEE841	2 - 42
1LE24211CA113AA3	3	3600	SD100 IEEEE841	2 - 43
1LE24211CA113GA3	3	3600	SD100 IEEEE841	2 - 47
1LE24211CA312AA3	5	3600	SD100 IEEEE841	2 - 38
1LE24211CA312GA3	5	3600	SD100 IEEEE841	2 - 42

Part Number	HP	RPM	Type	Page
1LE24211CA313AA3	5	3600	SD100 IEEEE841	2 - 43
1LE24211CA313GA3	5	3600	SD100 IEEEE841	2 - 47
1LE24211CB112AA3	3	1800	SD100 IEEEE841	2 - 38
1LE24211CB112GA3	3	1800	SD100 IEEEE841	2 - 42
1LE24211CB113AA3	3	1800	SD100 IEEEE841	2 - 43
1LE24211CB113GA3	3	1800	SD100 IEEEE841	2 - 47
1LE24211CB312AA3	5	1800	SD100 IEEEE841	2 - 38
1LE24211CB312GA3	5	1800	SD100 IEEEE841	2 - 42
1LE24211CB313AA3	5	1800	SD100 IEEEE841	2 - 43
1LE24211CB313GA3	5	1800	SD100 IEEEE841	2 - 47
1LE24211CC112AA3	1.5	1200	SD100 IEEEE841	2 - 38
1LE24211CC113AA3	1.5	1200	SD100 IEEEE841	2 - 43
1LE24211CC312AA3	2	1200	SD100 IEEEE841	2 - 38
1LE24211CC313AA3	2	1200	SD100 IEEEE841	2 - 43
1LE24211CD112AA3	1	900	SD100 IEEEE841	2 - 38
1LE24211CD113AA3	1	900	SD100 IEEEE841	2 - 43
1LE24211CD312AA3	1.5	900	SD100 IEEEE841	2 - 38
1LE24211CD313AA3	1.5	900	SD100 IEEEE841	2 - 43
1LE24211CD313AA3	1.5	900	SD100 IEEEE841	2 - 43
1LE24211GA312GA3	2	3600	SD100 IEEEE841	2 - 42
1LE24211GA313GA3	2	3600	SD100 IEEEE841	2 - 47
1LE24212AA112AA3	7.5	3600	SD100 IEEEE841	2 - 38
1LE24212AA112GA3	7.5	3600	SD100 IEEEE841	2 - 42
1LE24212AA113AA3	7.5	3600	SD100 IEEEE841	2 - 43
1LE24212AA113GA3	7.5	3600	SD100 IEEEE841	2 - 47
1LE24212AA212AA3	10	3600	SD100 IEEEE841	2 - 38
1LE24212AA212GA3	10	3600	SD100 IEEEE841	2 - 42
1LE24212AA213AA3	10	3600	SD100 IEEEE841	2 - 43
1LE24212AA213GA3	10	3600	SD100 IEEEE841	2 - 47
1LE24212AB112AA3	7.5	1800	SD100 IEEEE841	2 - 38
1LE24212AB112GA3	7.5	1800	SD100 IEEEE841	2 - 42
1LE24212AB113AA3	7.5	1800	SD100 IEEEE841	2 - 43
1LE24212AB113GA3	7.5	1800	SD100 IEEEE841	2 - 47
1LE24212AB212AA3	10	1800	SD100 IEEEE841	2 - 38
1LE24212AB212GA3	10	1800	SD100 IEEEE841	2 - 42
1LE24212AB213AA3	10	1800	SD100 IEEEE841	2 - 43
1LE24212AB213GA3	10	1800	SD100 IEEEE841	2 - 47
1LE24212AC112AA3	3	1200	SD100 IEEEE841	2 - 38
1LE24212AC113AA3	3	1200	SD100 IEEEE841	2 - 43
1LE24212AC212AA3	5	1200	SD100 IEEEE841	2 - 38
1LE24212AC213AA3	5	1200	SD100 IEEEE841	2 - 43
1LE24212AD112AA3	2	900	SD100 IEEEE841	2 - 38
1LE24212AD113AA3	2	900	SD100 IEEEE841	2 - 43
1LE24212AD212AA3	3	900	SD100 IEEEE841	2 - 38
1LE24212AD213AA3	3	900	SD100 IEEEE841	2 - 43
1LE24212BA112AA3	15	3600	SD100 IEEEE841	2 - 38

Part number index

NEMA motors

Part Number	HP	RPM	Type	Page
1LE24212BA112GA3	15	3600	SD100 IEEE841	2 - 42
1LE24212BA113AA3	15	3600	SD100 IEEE841	2 - 43
1LE24212BA113GA3	15	3600	SD100 IEEE841	2 - 47
1LE24212BA212AA3	20	3600	SD100 IEEE841	2 - 38
1LE24212BA212GA3	20	3600	SD100 IEEE841	2 - 42
1LE24212BA213AA3	20	3600	SD100 IEEE841	2 - 43
1LE24212BA213GA3	20	3600	SD100 IEEE841	2 - 47
1LE24212BB112AA3	15	1800	SD100 IEEE841	2 - 38
1LE24212BB112GA3	15	1800	SD100 IEEE841	2 - 42
1LE24212BB113AA3	15	1800	SD100 IEEE841	2 - 43
1LE24212BB113GA3	15	1800	SD100 IEEE841	2 - 47
1LE24212BB212AA3	20	1800	SD100 IEEE841	2 - 38
1LE24212BB212GA3	20	1800	SD100 IEEE841	2 - 42
1LE24212BB213AA3	20	1800	SD100 IEEE841	2 - 43
1LE24212BB213GA3	20	1800	SD100 IEEE841	2 - 47
1LE24212BC112AA3	7.5	1200	SD100 IEEE841	2 - 38
1LE24212BC113AA3	7.5	1200	SD100 IEEE841	2 - 43
1LE24212BC212AA3	10	1200	SD100 IEEE841	2 - 38
1LE24212BC213AA3	10	1200	SD100 IEEE841	2 - 43
1LE24212BD112AA3	5	900	SD100 IEEE841	2 - 38
1LE24212BD113AA3	5	900	SD100 IEEE841	2 - 42
1LE24212BD212AA3	7.5	900	SD100 IEEE841	2 - 38
1LE24212BD213AA3	7.5	900	SD100 IEEE841	2 - 43
1LE24212CB112AA3	25	1800	SD100 IEEE841	2 - 39
1LE24212CB113AA3	25	1800	SD100 IEEE841	2 - 44
1LE24212CB212AA3	30	1800	SD100 IEEE841	2 - 39
1LE24212CB213AA3	30	1800	SD100 IEEE841	2 - 44
1LE24212CC112AA3	15	1200	SD100 IEEE841	2 - 38
1LE24212CC113AA3	15	1200	SD100 IEEE841	2 - 43
1LE24212CC212AA3	20	1200	SD100 IEEE841	2 - 38
1LE24212CC213AA3	20	1200	SD100 IEEE841	2 - 43
1LE24212CD112AA3	10	900	SD100 IEEE841	2 - 38
1LE24212CD113AA3	10	900	SD100 IEEE841	2 - 43
1LE24212CD212AA3	15	900	SD100 IEEE841	2 - 38
1LE24212CD213AA3	15	900	SD100 IEEE841	2 - 43
1LE24212DA112AA3	25	3600	SD100 IEEE841	2 - 39
1LE24212DA113AA3	25	3600	SD100 IEEE841	2 - 44
1LE24212DA212AA3	30	3600	SD100 IEEE841	2 - 39
1LE24212DA213AA3	30	3600	SD100 IEEE841	2 - 44
1LE24212DB112AA3	25	1800	SD100 IEEE841	2 - 39
1LE24212DB113AA3	25	1800	SD100 IEEE841	2 - 44
1LE24212DB212AA3	30	1800	SD100 IEEE841	2 - 39
1LE24212DB213AA3	30	1800	SD100 IEEE841	2 - 44
1LE24213AB112AA3	40	1800	SD100 IEEE841	2 - 39
1LE24213AB113AA3	40	1800	SD100 IEEE841	2 - 44
1LE24213AB212AA3	50	1800	SD100 IEEE841	2 - 39

Part Number	HP	RPM	Type	Page
1LE24213AB213AA3	50	1800	SD100 IEEE841	2 - 44
1LE24213AC112AA3	25	1200	SD100 IEEE841	2 - 39
1LE24213AC113AA3	25	1200	SD100 IEEE841	2 - 44
1LE24213AC212AA3	30	1200	SD100 IEEE841	2 - 39
1LE24213AC213AA3	30	1200	SD100 IEEE841	2 - 44
1LE24213AD112AA3	20	900	SD100 IEEE841	2 - 38
1LE24213AD113AA3	20	900	SD100 IEEE841	2 - 43
1LE24213AD212AA3	25	900	SD100 IEEE841	2 - 39
1LE24213AD213AA3	25	900	SD100 IEEE841	2 - 44
1LE24213BA112AA3	40	3600	SD100 IEEE841	2 - 39
1LE24213BA113AA3	40	3600	SD100 IEEE841	2 - 44
1LE24213BA212AA3	50	3600	SD100 IEEE841	2 - 39
1LE24213BA213AA3	50	3600	SD100 IEEE841	2 - 44
1LE24213BB112AA3	40	1800	SD100 IEEE841	2 - 39
1LE24213BB113AA3	40	1800	SD100 IEEE841	2 - 4r
1LE24213BB212AA3	50	1800	SD100 IEEE841	2 - 39
1LE24213BB213AA3	50	1800	SD100 IEEE841	2 - 44
1LE24213CB112AA3	60	1800	SD100 IEEE841	2 - 39
1LE24213CB113AA3	60	1800	SD100 IEEE841	2 - 44
1LE24213CB212AA3	75	1800	SD100 IEEE841	2 - 39
1LE24213CB213AA3	75	1800	SD100 IEEE841	2 - 44
1LE24213CC112AA3	40	1200	SD100 IEEE841	2 - 39
1LE24213CC113AA3	40	1200	SD100 IEEE841	2 - 44
1LE24213CC212AA3	50	1200	SD100 IEEE841	2 - 39
1LE24213CC213AA3	50	1200	SD100 IEEE841	2 - 44
1LE24213CD112AA3	30	900	SD100 IEEE841	2 - 39
1LE24213CD113AA3	30	900	SD100 IEEE841	2 - 44
1LE24213CD212AA3	40	900	SD100 IEEE841	2 - 39
1LE24213CD213AA3	40	900	SD100 IEEE841	2 - 44
1LE24213DA112AA3	60	3600	SD100 IEEE841	2 - 39
1LE24213DA113AA3	60	3600	SD100 IEEE841	2 - 44
1LE24213DA212AA3	75	3600	SD100 IEEE841	2 - 39
1LE24213DA213AA3	75	3600	SD100 IEEE841	2 - 44
1LE24213DB112AA3	60	1800	SD100 IEEE841	2 - 39
1LE24213DB113AA3	60	1800	SD100 IEEE841	2 - 44
1LE24213DB212AA3	75	1800	SD100 IEEE841	2 - 39
1LE24213DB213AA3	75	1800	SD100 IEEE841	2 - 44
1LE24214AB212AA3	100	1800	SD100 IEEE841	2 - 40
1LE24214AB213AA3	100	1800	SD100 IEEE841	2 - 45
1LE24214AC112AA3	60	1200	SD100 IEEE841	2 - 39
1LE24214AC113AA3	60	1200	SD100 IEEE841	2 - 44
1LE24214AC212AA3	75	1200	SD100 IEEE841	2 - 39
1LE24214AC213AA3	75	1200	SD100 IEEE841	2 - 44
1LE24214AD112AA3	50	900	SD100 IEEE841	2 - 39
1LE24214AD113AA3	50	900	SD100 IEEE841	2 - 44
1LE24214AD212AA3	60	900	SD100 IEEE841	2 - 39

Part number index

NEMA motors

Part Number	HP	RPM	Type	Page
1LE24214AD213AA3	60	900	SD100 IEEEE841	2 - 44
1LE24214BA212AA3	100	3600	SD100 IEEEE841	2 - 40
1LE24214BA213AA3	100	3600	SD100 IEEEE841	2 - 45
1LE24214BB212AA3	100	1800	SD100 IEEEE841	2 - 40
1LE24214BB213AA3	100	1800	SD100 IEEEE841	2 - 45
1LE24214CB112AA3	125	1800	SD100 IEEEE841	2 - 40
1LE24214CB113AA3	125	1800	SD100 IEEEE841	2 - 45
1LE24214CB212AA3	150	1800	SD100 IEEEE841	2 - 40
1LE24214CB213AA3	150	1800	SD100 IEEEE841	2 - 45
1LE24214CB312AA3	200	1800	SD100 IEEEE841	2 - 40
1LE24214CB313AA3	200	1800	SD100 IEEEE841	2 - 45
1LE24214CB512AA3	250	1800	SD100 IEEEE841	2 - 39
1LE24214CB513AA3	250	1800	SD100 IEEEE841	2 - 46
1LE24214CC112AA3	100	1200	SD100 IEEEE841	2 - 40
1LE24214CC113AA3	100	1200	SD100 IEEEE841	2 - 45
1LE24214CC212AA3	125	1200	SD100 IEEEE841	2 - 40
1LE24214CC213AA3	125	1200	SD100 IEEEE841	2 - 45
1LE24214CC312AA3	150	1200	SD100 IEEEE841	2 - 40
1LE24214CC313AA3	150	1200	SD100 IEEEE841	2 - 45
1LE24214CC512AA3	200	1200	SD100 IEEEE841	2 - 40
1LE24214CC513AA3	200	1200	SD100 IEEEE841	2 - 45
1LE24214CC612AA3	250	1200	SD100 IEEEE841	2 - 41
1LE24214CC613AA3	250	1200	SD100 IEEEE841	2 - 46
1LE24214CD112AA3	75	900	SD100 IEEEE841	2 - 39
1LE24214CD113AA3	75	900	SD100 IEEEE841	2 - 44
1LE24214CD212AA3	100	900	SD100 IEEEE841	2 - 40
1LE24214CD213AA3	100	900	SD100 IEEEE841	2 - 45
1LE24214CD312AA3	125	900	SD100 IEEEE841	2 - 40
1LE24214CD313AA3	125	900	SD100 IEEEE841	2 - 45
1LE24214CD512AA3	150	900	SD100 IEEEE841	2 - 40
1LE24214CD513AA3	150	900	SD100 IEEEE841	2 - 45
1LE24214DA112AA3	125	3600	SD100 IEEEE841	2 - 40
1LE24214DA113AA3	125	3600	SD100 IEEEE841	2 - 45
1LE24214DA212AA3	150	3600	SD100 IEEEE841	2 - 40
1LE24214DA213AA3	150	3600	SD100 IEEEE841	2 - 45
1LE24214DA312AA3	200	3600	SD100 IEEEE841	2 - 40
1LE24214DA313AA3	200	3600	SD100 IEEEE841	2 - 45
1LE24214DA512AA3	250	3600	SD100 IEEEE841	2 - 41
1LE24214DA513AA3	250	3600	SD100 IEEEE841	2 - 46
1LE24214DA612AA3	300	3600	SD100 IEEEE841	2 - 41
1LE24214DA613AA3	300	3600	SD100 IEEEE841	2 - 46
1LE24214DB112AA3	125	1800	SD100 IEEEE841	2 - 40
1LE24214DB113AA3	125	1800	SD100 IEEEE841	2 - 45
1LE24214DB212AA3	150	1800	SD100 IEEEE841	2 - 40
1LE24214DB213AA3	150	1800	SD100 IEEEE841	2 - 45
1LE24214DB312AA3	200	1800	SD100 IEEEE841	2 - 40

Part Number	HP	RPM	Type	Page
1LE24214DB313AA3	200	1800	SD100 IEEEE841	2 - 45
1LE24214DB512AA3	250	1800	SD100 IEEEE841	2 - 41
1LE24214DB513AA3	250	1800	SD100 IEEEE841	2 - 46
1LE24214DC112AA3	100	1200	SD100 IEEEE841	2 - 40
1LE24214DC113AA3	100	1200	SD100 IEEEE841	2 - 45
1LE24214DC212AA3	125	1200	SD100 IEEEE841	2 - 40
1LE24214DC213AA3	125	1200	SD100 IEEEE841	2 - 45
1LE24214DC312AA3	150	1200	SD100 IEEEE841	2 - 40
1LE24214DC313AA3	150	1200	SD100 IEEEE841	2 - 45
1LE24214DC512AA3	200	1200	SD100 IEEEE841	2 - 40
1LE24214DC513AA3	200	1200	SD100 IEEEE841	2 - 45
1LE24214DC612AA3	250	1200	SD100 IEEEE841	2 - 41
1LE24214DC613AA3	250	1200	SD100 IEEEE841	2 - 46
1LE24214DD112AA3	75	900	SD100 IEEEE841	2 - 39
1LE24214DD113AA3	75	900	SD100 IEEEE841	2 - 44
1LE24214DD212AA3	100	900	SD100 IEEEE841	2 - 40
1LE24214DD213AA3	100	900	SD100 IEEEE841	2 - 45
1LE24214DD312AA3	125	900	SD100 IEEEE841	2 - 40
1LE24214DD313AA3	125	900	SD100 IEEEE841	2 - 45
1LE24214DD512AA3	150	900	SD100 IEEEE841	2 - 40
1LE24214DD513AA3	150	900	SD100 IEEEE841	2 - 45
1LE24214EB112AA3	125	1800	SD100 IEEEE841	2 - 40
1LE24214EB113AA3	125	1800	SD100 IEEEE841	2 - 45
1LE24214EB212AA3	150	1800	SD100 IEEEE841	2 - 40
1LE24214EB213AA3	150	1800	SD100 IEEEE841	2 - 45
1LE24214EB312AA3	200	1800	SD100 IEEEE841	2 - 40
1LE24214EB313AA3	200	1800	SD100 IEEEE841	2 - 45
1LE24214EB512AA3	250	1800	SD100 IEEEE841	2 - 41
1LE24214EB513AA3	250	1800	SD100 IEEEE841	2 - 46
1LE24214EC112AA3	100	1200	SD100 IEEEE841	2 - 40
1LE24214EC113AA3	100	1200	SD100 IEEEE841	2 - 45
1LE24214EC212AA3	125	1200	SD100 IEEEE841	2 - 40
1LE24214EC213AA3	125	1200	SD100 IEEEE841	2 - 45
1LE24214EC312AA3	150	1200	SD100 IEEEE841	2 - 40
1LE24214EC313AA3	150	1200	SD100 IEEEE841	2 - 45
1LE24214EC512AA3	200	1200	SD100 IEEEE841	2 - 40
1LE24214EC513AA3	200	1200	SD100 IEEEE841	2 - 45
1LE24214EC612AA3	250	1200	SD100 IEEEE841	2 - 41
1LE24214EC613AA3	250	1200	SD100 IEEEE841	2 - 46
1LE24214ED112AA3	75	900	SD100 IEEEE841	2 - 39
1LE24214ED113AA3	75	900	SD100 IEEEE841	2 - 44
1LE24214ED212AA3	100	900	SD100 IEEEE841	2 - 40
1LE24214ED213AA3	100	900	SD100 IEEEE841	2 - 45
1LE24214ED312AA3	125	900	SD100 IEEEE841	2 - 40
1LE24214ED313AA3	125	900	SD100 IEEEE841	2 - 45
1LE24214ED512AA3	150	900	SD100 IEEEE841	2 - 40

Part number index

NEMA motors

Part Number	HP	RPM	Type	Page
1LE24214ED513AA3	150	900	SD100 IEEEE841	2 - 45
1LE24214FB112AA3	300	1800	SD100 IEEEE841	2 - 41
1LE24214FB113AA3	300	1800	SD100 IEEEE841	2 - 46
1LE24214FB212AA3	350	1800	SD100 IEEEE841	2 - 41
1LE24214FB213AA3	350	1800	SD100 IEEEE841	2 - 46
1LE24214FB312AA3	400	1800	SD100 IEEEE841	2 - 41
1LE24214FB313AA3	400	1800	SD100 IEEEE841	2 - 46
1LE24214FC112AA3	300	1200	SD100 IEEEE841	2 - 41
1LE24214FC113AA3	300	1200	SD100 IEEEE841	2 - 46
1LE24214FD112AA3	200	900	SD100 IEEEE841	2 - 40
1LE24214FD113AA3	200	900	SD100 IEEEE841	2 - 45
1LE24214FD212AA3	250	900	SD100 IEEEE841	2 - 41
1LE24214FD213AA3	250	900	SD100 IEEEE841	2 - 46
1LE24214GA112AA3	350	3600	SD100 IEEEE841	2 - 41
1LE24214GA113AA3	350	3600	SD100 IEEEE841	2 - 46
1LE24214GA312AA3	400	3600	SD100 IEEEE841	2 - 41
1LE24214GA313AA3	400	3600	SD100 IEEEE841	2 - 46
1LE24214GB112AA3	300	1800	SD100 IEEEE841	2 - 41
1LE24214GB113AA3	300	1800	SD100 IEEEE841	2 - 46
1LE24214GB212AA3	350	1800	SD100 IEEEE841	2 - 41
1LE24214GB213AA3	350	1800	SD100 IEEEE841	2 - 46
1LE24214GB312AA3	400	1800	SD100 IEEEE841	2 - 41
1LE24214GB313AA3	400	1800	SD100 IEEEE841	2 - 46
1LE24214GC112AA3	300	1200	SD100 IEEEE841	2 - 41
1LE24214GC113AA3	300	1200	SD100 IEEEE841	2 - 46
1MB21211AA213AG3	1.5	3600	XP100	2 - 62
1MB21211AA214AG3	1.5	3600	XP100	2 - 58
1MB21211AA216LG3	1.5	3600	XP100	2 - 61
1MB21211AA313AG3	2	3600	XP100	2 - 62
1MB21211AA314AG3	2	3600	XP100	2 - 58
1MB21211AA316LG3	2	3600	XP100	2 - 61
1MB21211AB213AG3	1	1800	XP100	2 - 62
1MB21211AB214AG3	1	1800	XP100	2 - 58
1MB21211AB216LG3	1	1800	XP100	2 - 61
1MB21211AB313AG3	1.5	1800	XP100	2 - 62
1MB21211AB314AG3	1.5	1800	XP100	2 - 58
1MB21211AB316LG3	1.5	1800	XP100	2 - 61
1MB21211AB413AG3	2	1800	XP100	2 - 62
1MB21211AB414AG3	2	1800	XP100	2 - 58
1MB21211AB416LG3	2	1800	XP100	2 - 61
1MB21211AC313AG3	1	1200	XP100	2 - 62
1MB21211AC314AG3	1	1200	XP100	2 - 58
1MB21211AC316LG3	1	1200	XP100	2 - 61
1MB21211CA113AG3	3	3600	XP100	2 - 62
1MB21211CA114AG3	3	3600	XP100	2 - 58
1MB21211CA116LG3	3	3600	XP100	2 - 61

Part Number	HP	RPM	Type	Page
1MB21211CA313AG3	5	3600	XP100	2 - 62
1MB21211CA314AG3	5	3600	XP100	2 - 58
1MB21211CA316LG3	5	3600	XP100	2 - 61
1MB21211CB113AG3	3	1800	XP100	2 - 62
1MB21211CB114AG3	3	1800	XP100	2 - 58
1MB21211CB116LG3	3	1800	XP100	2 - 61
1MB21211CB313AG3	5	1800	XP100	2 - 62
1MB21211CB314AG3	5	1800	XP100	2 - 58
1MB21211CB316LG3	5	1800	XP100	2 - 61
1MB21211CC113AG3	1.5	1200	XP100	2 - 62
1MB21211CC114AG3	1.5	1200	XP100	2 - 58
1MB21211CC116LG3	1.5	1200	XP100	2 - 61
1MB21211CC313AG3	2	1200	XP100	2 - 62
1MB21211CC314AG3	2	1200	XP100	2 - 58
1MB21211CC316LG3	2	1200	XP100	2 - 61
1MB21211CD113AG3	1	900	XP100	2 - 62
1MB21211CD114AG3	1	900	XP100	2 - 58
1MB21211CD116LG3	1	900	XP100	2 - 61
1MB21211CD313AG3	1.5	900	XP100	2 - 62
1MB21211CD314AG3	1.5	900	XP100	2 - 58
1MB21211CD316LG3	1.5	900	XP100	2 - 61
1MB21212AA113AG3	7.5	3600	XP100	2 - 62
1MB21212AA114AG3	7.5	3600	XP100	2 - 58
1MB21212AA116LG3	7.5	3600	XP100	2 - 61
1MB21212AA213AG3	10	3600	XP100	2 - 62
1MB21212AA214AG3	10	3600	XP100	2 - 58
1MB21212AA216LG3	10	3600	XP100	2 - 61
1MB21212AB113AG3	7.5	1800	XP100	2 - 62
1MB21212AB114AG3	7.5	1800	XP100	2 - 58
1MB21212AB116LG3	7.5	1800	XP100	2 - 61
1MB21212AB213AG3	10	1800	XP100	2 - 62
1MB21212AB214AG3	10	1800	XP100	2 - 58
1MB21212AB216LG3	10	1800	XP100	2 - 61
1MB21212AC113AG3	3	1200	XP100	2 - 62
1MB21212AC114AG3	3	1200	XP100	2 - 58
1MB21212AC116LG3	3	1200	XP100	2 - 61
1MB21212AC213AG3	5	1200	XP100	2 - 62
1MB21212AC214AG3	5	1200	XP100	2 - 58
1MB21212AC216LG3	5	1200	XP100	2 - 61
1MB21212AD113AG3	2	900	XP100	2 - 62
1MB21212AD114AG3	2	900	XP100	2 - 58
1MB21212AD116LG3	2	900	XP100	2 - 61
1MB21212AD213AG3	3	900	XP100	2 - 62
1MB21212AD214AG3	3	900	XP100	2 - 58
1MB21212AD216LG3	3	900	XP100	2 - 61
1MB21212BA113AG3	15	3600	XP100	2 - 62

Part number index

NEMA motors

Part Number	HP	RPM	Type	Page
1MB21212BA114AG3	15	3600	XP100	2 - 58
1MB21212BA116LG3	15	3600	XP100	2 - 61
1MB21212BA213AG3	20	3600	XP100	2 - 62
1MB21212BA214AG3	20	3600	XP100	2 - 58
1MB21212BA216LG3	20	3600	XP100	2 - 61
1MB21212BB113AG3	15	1800	XP100	2 - 62
1MB21212BB114AG3	15	1800	XP100	2 - 58
1MB21212BB116LG3	15	1800	XP100	2 - 61
1MB21212BB213AG3	20	1800	XP100	2 - 62
1MB21212BB214AG3	20	1800	XP100	2 - 58
1MB21212BB216LG3	20	1800	XP100	2 - 61
1MB21212BC113AG3	7.5	1200	XP100	2 - 62
1MB21212BC114AG3	7.5	1200	XP100	2 - 58
1MB21212BC116LG3	7.5	1200	XP100	2 - 61
1MB21212BC213AG3	10	1200	XP100	2 - 62
1MB21212BC214AG3	10	1200	XP100	2 - 58
1MB21212BC216LG3	10	1200	XP100	2 - 61
1MB21212BD113AG3	5	900	XP100	2 - 62
1MB21212BD114AG3	5	900	XP100	2 - 58
1MB21212BD116LG3	5	900	XP100	2 - 61
1MB21212BD213AG3	7.5	900	XP100	2 - 62
1MB21212BD214AG3	7.5	900	XP100	2 - 58
1MB21212BD216LG3	7.5	900	XP100	2 - 61
1MB21212CB113AG3	25	1800	XP100	2 - 62
1MB21212CB116AG3	25	1800	XP100	2 - 58
1MB21212CB213AG3	30	1800	XP100	2 - 62
1MB21212CB216AG3	30	1800	XP100	2 - 59
1MB21212CC113AG3	15	1200	XP100	2 - 62
1MB21212CC116AG3	15	1200	XP100	2 - 58
1MB21212CC116LG3	15	1200	XP100	2 - 61
1MB21212CC213AG3	20	1200	XP100	2 - 62
1MB21212CC216AG3	20	1200	XP100	2 - 58
1MB21212CC216LG3	20	1200	XP100	2 - 61
1MB21212CD113AG3	10	900	XP100	2 - 62
1MB21212CD116AG3	10	900	XP100	2 - 58
1MB21212CD213AG3	15	900	XP100	2 - 62
1MB21212CD216AG3	15	900	XP100	2 - 58
1MB21212DA113AG3	25	3600	XP100	2 - 62
1MB21212DA116AG3	25	3600	XP100	2 - 58
1MB21212DA213AG3	30	3600	XP100	2 - 62
1MB21212DA216AG3	30	3600	XP100	2 - 59
1MB21213AB113AG3	40	1800	XP100	2 - 63
1MB21213AB116AG3	40	1800	XP100	2 - 59
1MB21213AB213AG3	50	1800	XP100	2 - 63
1MB21213AB216AG3	50	1800	XP100	2 - 59
1MB21213AC113AG3	25	1200	XP100	2 - 62

Part Number	HP	RPM	Type	Page
1MB21213AC116AG3	25	1200	XP100	2 - 58
1MB21213AC213AG3	30	1200	XP100	2 - 62
1MB21213AC216AG3	30	1200	XP100	2 - 59
1MB21213AD113AG3	20	900	XP100	2 - 62
1MB21213AD116AG3	20	900	XP100	2 - 58
1MB21213AD213AG3	25	900	XP100	2 - 62
1MB21213AD216AG3	25	900	XP100	2 - 58
1MB21213BA113AG3	40	3600	XP100	2 - 63
1MB21213BA116AG3	40	3600	XP100	2 - 59
1MB21213BA213AG3	50	3600	XP100	2 - 63
1MB21213BA216AG3	50	3600	XP100	2 - 59
1MB21213CB113AG3	60	1800	XP100	2 - 63
1MB21213CB116AG3	60	1800	XP100	2 - 59
1MB21213CB213AG3	75	1800	XP100	2 - 63
1MB21213CB216AG3	75	1800	XP100	2 - 59
1MB21213CC113AG3	40	1200	XP100	2 - 63
1MB21213CC116AG3	40	1200	XP100	2 - 59
1MB21213CC213AG3	50	1200	XP100	2 - 63
1MB21213CC216AG3	50	1200	XP100	2 - 59
1MB21213CD113AG3	30	900	XP100	2 - 62
1MB21213CD116AG3	30	900	XP100	2 - 59
1MB21213CD213AG3	40	900	XP100	2 - 63
1MB21213CD216AG3	40	900	XP100	2 - 59
1MB21213DA113AG3	60	3600	XP100	2 - 63
1MB21213DA116AG3	60	3600	XP100	2 - 59
1MB21213DA213AG3	75	3600	XP100	2 - 63
1MB21213DA216AG3	75	3600	XP100	2 - 59
1MB21214AB213AG3	100	1800	XP100	2 - 63
1MB21214AB216AG3	100	1800	XP100	2 - 59
1MB21214AC113AG3	60	1200	XP100	2 - 63
1MB21214AC116AG3	60	1200	XP100	2 - 59
1MB21214AC213AG3	75	1200	XP100	2 - 63
1MB21214AC216AG3	75	1200	XP100	2 - 59
1MB21214AD113AG3	50	900	XP100	2 - 63
1MB21214AD116AG3	50	900	XP100	2 - 59
1MB21214AD213AG3	60	900	XP100	2 - 63
1MB21214AD216AG3	60	900	XP100	2 - 59
1MB21214BA213AG3	100	3600	XP100	2 - 63
1MB21214BA216AG3	100	3600	XP100	2 - 59
1MB21214CB112AG3	125	1800	XP100	2 - 59
1MB21214CB113AG3	125	1800	XP100	2 - 63
1MB21214CB212AG3	150	1800	XP100	2 - 59
1MB21214CB213AG3	150	1800	XP100	2 - 62
1MB21214CB312AG3	200	1800	XP100	2 - 50
1MB21214CB313AG3	200	1800	XP100	2 - 63
1MB21214CB512AG3	250	1800	XP100	2 - 60

Part number index

NEMA motors

Part Number	HP	RPM	Type	Page
1MB21214CB612AG3	300	1800	XP100	2 - 60
1MB21214CC113AG3	100	1200	XP100	2 - 63
1MB21214CC116AG3	100	1200	XP100	2 - 59
1MB21214CC212AG3	125	1200	XP100	2 - 59
1MB21214CC213AG3	125	1200	XP100	2 - 63
1MB21214CC312AG3	150	1200	XP100	2 - 59
1MB21214CC313AG3	150	1200	XP100	2 - 63
1MB21214CC512AG3	200	1200	XP100	2 - 60
1MB21214CC513AG3	200	1200	XP100	2 - 63
1MB21214CD113AG3	75	900	XP100	2 - 63
1MB21214CD116AG3	75	900	XP100	2 - 59
1MB21214CD213AG3	100	900	XP100	2 - 63
1MB21214CD216AG3	100	900	XP100	2 - 59
1MB21214CD312AG3	125	900	XP100	2 - 59
1MB21214CD313AG3	125	900	XP100	2 - 63
1MB21214CD512AG3	150	900	XP100	2 - 59
1MB21214CD513AG3	150	900	XP100	2 - 63
1MB21214CD612AG3	200	900	XP100	2 - 60
1MB21214CD613AG3	200	900	XP100	2 - 63
1MB21214DA112AG3	125	3600	XP100	2 - 59
1MB21214DA113AG3	125	3600	XP100	2 - 63
1MB21214DA212AG3	150	3600	XP100	2 - 59
1MB21214DA213AG3	150	3600	XP100	2 - 63
1MB21214DA312AG3	200	3600	XP100	2 - 60
1MB21214DA313AG3	200	3600	XP100	2 - 63
1MB21214DA512AG3	250	3600	XP100	2 - 60
1MB21214DA513AG3	250	3600	XP100	2 - 63
1MB21214DA612AG3	300	3600	XP100	2 - 60
1MB21214DA613AG3	300	3600	XP100	2 - 63
1MB21214DB112AG3	125	1800	XP100	2 - 59
1MB21214DB113AG3	125	1800	XP100	2 - 63
1MB21214DB212AG3	150	1800	XP100	2 - 59
1MB21214DB213AG3	150	1800	XP100	2 - 63
1MB21214DB312AG3	200	1800	XP100	2 - 60
1MB21214DB313AG3	200	1800	XP100	2 - 63
1MB21214DB512AG3	250	1800	XP100	2 - 60
1MB21214DB513AG3	250	1800	XP100	2 - 63
1MB21214DB612AG3	300	1800	XP100	2 - 60
1MB21214DB613AG3	300	1800	XP100	2 - 63
1MB21214DC612AG3	250	1200	XP100	2 - 60
1MB21214DC613AG3	250	1200	XP100	2 - 63
1MB21214EB112AG3	125	1800	XP100	2 - 59
1MB21214EB212AG3	150	1800	XP100	2 - 59
1MB21214EB312AG3	200	1800	XP100	2 - 60
1MB21214EB512AG3	250	1800	XP100	2 - 60
1MB21214EC512AG3	200	1200	XP100	2 - 60

Part Number	HP	RPM	Type	Page
1MB22211AA214AA3	1.5	3600	XP100 ID1	2 - 66
1MB22211AA314AA3	2	3600	XP100 ID1	2 - 66
1MB22211AB214AA3	1	1800	XP100 ID1	2 - 66
1MB22211AB216GA3	1	1800	XP100 ID1	2 - 68
1MB22211AB314AA3	1.5	1800	XP100 ID1	2 - 66
1MB22211AB316GA3	1.5	1800	XP100 ID1	2 - 68
1MB22211AB413AA3	2	1800	XP100 ID1	2 - 69
1MB22211AB414AA3	2	1800	XP100 ID1	2 - 66
1MB22211AB416GA3	2	1800	XP100 ID1	2 - 68
1MB22211AC314AA3	1	1200	XP100 ID1	2 - 66
1MB22211CA114AA3	3	3600	XP100 ID1	2 - 66
1MB22211CA314AA3	5	3600	XP100 ID1	2 - 66
1MB22211CB113AA3	3	1800	XP100 ID1	2 - 69
1MB22211CB114AA3	3	1800	XP100 ID1	2 - 66
1MB22211CB116GA3	3	1800	XP100 ID1	2 - 68
1MB22211CB313AA3	5	1800	XP100 ID1	2 - 69
1MB22211CB314AA3	5	1800	XP100 ID1	2 - 66
1MB22211CB316GA3	5	1800	XP100 ID1	2 - 68
1MB22211CC114AA3	1.5	1200	XP100 ID1	2 - 66
1MB22211CC314AA3	2	1200	XP100 ID1	2 - 66
1MB22212AA114AA3	7.5	3600	XP100 ID1	2 - 66
1MB22212AA214AA3	10	3600	XP100 ID1	2 - 66
1MB22212AB113AA3	7.5	1800	XP100 ID1	2 - 69
1MB22212AB114AA3	7.5	1800	XP100 ID1	2 - 66
1MB22212AB116GA3	7.5	1800	XP100 ID1	2 - 68
1MB22212AB213AA3	10	1800	XP100 ID1	2 - 69
1MB22212AB214AA3	10	1800	XP100 ID1	2 - 66
1MB22212AB216GA3	10	1800	XP100 ID1	2 - 68
1MB22212AC114AA3	3	1200	XP100 ID1	2 - 66
1MB22212AC214AA3	5	1200	XP100 ID1	2 - 66
1MB22212BA114AA3	15	3600	XP100 ID1	2 - 66
1MB22212BA214AA3	20	3600	XP100 ID1	2 - 66
1MB22212BB113AA3	15	1800	XP100 ID1	2 - 69
1MB22212BB114AA3	15	1800	XP100 ID1	2 - 66
1MB22212BB116GA3	15	1800	XP100 ID1	2 - 68
1MB22212BB213AA3	20	1800	XP100 ID1	2 - 69
1MB22212BB214AA3	20	1800	XP100 ID1	2 - 66
1MB22212BB216GA3	20	1800	XP100 ID1	2 - 68
1MB22212BC114AA3	7.5	1200	XP100 ID1	2 - 66
1MB22212BC214AA3	10	1200	XP100 ID1	2 - 66
1MB22212CA116AA3	25	3600	XP100 ID1	2 - 66
1MB22212CA216AA3	30	3600	XP100 ID1	2 - 67
1MB22212CB113AA3	25	1800	XP100 ID1	2 - 69
1MB22212CB116AA3	25	1800	XP100 ID1	2 - 68
1MB22212CB116GA3	25	1800	XP100 ID1	2 - 66
1MB22212CB213AA3	30	1800	XP100 ID1	2 - 69

Part number index

NEMA motors

Part Number	HP	RPM	Type	Page
1MB22212CB216AA3	30	1800	XP100 ID1	2 - 68
1MB22212CB216AA3	30	1800	XP100 ID1	2 - 67
1MB22212CC116AA3	15	1200	XP100 ID1	2 - 66
1MB22212CC216AA3	20	1200	XP100 ID1	2 - 66
1MB22213AA116AA3	40	3600	XP100 ID1	2 - 67
1MB22213AB113AA3	40	1800	XP100 ID1	2 - 69
1MB22213AB116AA3	40	1800	XP100 ID1	2 - 67
1MB22213AC116AA3	25	1200	XP100 ID1	2 - 66
1MB22213AC216AA3	30	1200	XP100 ID1	2 - 67
1MB22213BA216AA3	50	3600	XP100 ID1	2 - 67
1MB22213BB213AA3	50	1800	XP100 ID1	2 - 69
1MB22213BB216AA3	50	1800	XP100 ID1	2 - 67
1MB22213CB113AA3	60	1800	XP100 ID1	2 - 69
1MB22213CB116AA3	60	1800	XP100 ID1	2 - 67
1MB22213CB213AA3	75	1800	XP100 ID1	2 - 69
1MB22213CB216AA3	75	1800	XP100 ID1	2 - 67
1MB22213CC116AA3	40	1200	XP100 ID1	2 - 67
1MB22213CC216AA3	50	1200	XP100 ID1	2 - 67
1MB22213DA116AA3	60	3600	XP100 ID1	2 - 67
1MB22213DA216AA3	75	3600	XP100 ID1	2 - 67
1MB22214AB213AA3	100	1800	XP100 ID1	2 - 69
1MB22214AB216AA3	100	1800	XP100 ID1	2 - 67
1MB22214AC116AA3	60	1200	XP100 ID1	2 - 67
1MB22214AC216AA3	75	1200	XP100 ID1	2 - 67
1MB22214BA216AA3	100	3600	XP100 ID1	2 - 67
1MB22214CB112AA3	125	1800	XP100 ID1	2 - 67
1MB22214CB113AA3	125	1800	XP100 ID1	2 - 69
1MB22214CB212AA3	150	1800	XP100 ID1	2 - 67
1MB22214CB213AA3	150	1800	XP100 ID1	2 - 69
1MB22214CB312AA3	200	1800	XP100 ID1	2 - 68
1MB22214CB512AA3	250	1800	XP100 ID1	2 - 68
1MB22214CB612AA3	300	1800	XP100 ID1	2 - 68
1MB22214CC116AA3	100	1200	XP100 ID1	2 - 68
1MB22214CC212AA3	125	1200	XP100 ID1	2 - 68
1MB22214CC312AA3	150	1200	XP100 ID1	2 - 68
1MB22214CC512AA3	200	1200	XP100 ID1	2 - 68
1MB22214DA112AA3	125	3600	XP100 ID1	2 - 67
1MB22214DA212AA3	150	3600	XP100 ID1	2 - 67
1MB22214DA312AA3	200	3600	XP100 ID1	2 - 68
1MB22214DA512AA3	250	3600	XP100 ID1	2 - 68
1MB22214DA612AA3	300	3600	XP100 ID1	2 - 68
1MB22214EB112AA3	125	1800	XP100 ID1	2 - 67
1MB22214EB113AA3	125	1800	XP100 ID1	2 - 69
1MB22214EB212AA3	150	1800	XP100 ID1	2 - 67
1MB22214EB213AA3	150	1800	XP100 ID1	2 - 69
1MB22214EB312AA3	200	1800	XP100 ID1	2 - 68

Part Number	HP	RPM	Type	Page
1MB22214EB512AA3	250	1800	XP100 ID1	2 - 68
1MB22214EB612AA3	300	1800	XP100 ID1	2 - 68
1MB22214EC116AA3	100	1200	XP100 ID1	2 - 67
1MB22214EC212AA3	125	1200	XP100 ID1	2 - 67
1MB22214EC312AA3	150	1200	XP100 ID1	2 - 67
1MB22214EC512AA3	200	1200	XP100 ID1	2 - 68
1PC28111BA216TA3	1.5	3600	RGZVESD	2 - 86
1PC28111BA316TA3	2	3600	RGZVESD	2 - 86
1PC28111BB216TA3	1	1800	RGZVESD	2 - 86
1PC28111BB316TA3	1.5	1800	RGZVESD	2 - 86
1PC28111BB416TA3	2	1800	RGZVESD	2 - 86
1PC28111BC316TA3	1	1200	RGZVESD	2 - 86
1PC28111DA116TA3	3	3600	RGZVESD	2 - 86
1PC28111DA216TA3	5	3600	RGZVESD	2 - 86
1PC28111DB116TA3	3	1800	RGZVESD	2 - 86
1PC28111DB216TA3	5	1800	RGZVESD	2 - 86
1PC28111DC116TA3	1.5	1200	RGZVESD	2 - 86
1PC28111DC216TA3	2	1200	RGZVESD	2 - 86
1PC28111DD116TA3	1	900	RGZVESD	2 - 86
1PC28111DD216TA3	1.5	900	RGZVESD	2 - 86
1PC28112AA316TA3	7.5	3600	RGZVESD	2 - 86
1PC28112AA416TA3	10	3600	RGZVESD	2 - 86
1PC28112AB316TA3	7.5	1800	RGZVESD	2 - 86
1PC28112AB416TA3	10	1800	RGZVESD	2 - 86
1PC28112AC316TA3	3	1200	RGZVESD	2 - 86
1PC28112AC416TA3	5	1200	RGZVESD	2 - 86
1PC28112AD316TA3	2	900	RGZVESD	2 - 86
1PC28112AD416TA3	3	900	RGZVESD	2 - 86
1PC28112BA316TA3	15	3600	RGZVESD	2 - 86
1PC28112BA416TA3	20	3600	RGZVESD	2 - 86
1PC28112BB316TA3	15	1800	RGZVESD	2 - 86
1PC28112BB416TA3	20	1800	RGZVESD	2 - 86
1PC28112BC316TA3	7.5	1200	RGZVESD	2 - 86
1PC28112BC416TA3	10	1200	RGZVESD	2 - 86
1PC28112BD316TA3	5	900	RGZVESD	2 - 86
1PC28112BD416TA3	7.5	900	RGZVESD	2 - 86
1PC28112CA312TA3	25	3600	RGZVESD	2 - 86
1PC28112CA412TA3	30	3600	RGZVESD	2 - 87
1PC28112CB312TA3	25	1800	RGZVESD	2 - 86
1PC28112CB412TA3	30	1800	RGZVESD	2 - 87
1PC28112CC316TA3	15	1200	RGZVESD	2 - 86
1PC28112CC416TA3	20	1200	RGZVESD	2 - 86
1PC28112CD316TA3	10	900	RGZVESD	2 - 86
1PC28112CD416TA3	15	900	RGZVESD	2 - 86
1PC28113AA312TA3	40	3600	RGZVESD	2 - 87
1PC28113AA412TA3	50	3600	RGZVESD	2 - 87

Part number index

NEMA motors

Part Number	HP	RPM	Type	Page
1PC28113AB312TA3	40	1800	RGZVESD	2 - 87
1PC28113AB412TA3	50	1800	RGZVESD	2 - 87
1PC28113AC312TA3	25	1200	RGZVESD	2 - 86
1PC28113AC412TA3	30	1200	RGZVESD	2 - 87
1PC28113AD316TA3	20	900	RGZVESD	2 - 86
1PC28113AD412TA3	25	900	RGZVESD	2 - 86
1PC28113CA312TA3	60	3600	RGZVESD	2 - 87
1PC28113CA412TA3	75	3600	RGZVESD	2 - 87
1PC28113CB312TA3	60	1800	RGZVESD	2 - 87
1PC28113CB412TA3	75	1800	RGZVESD	2 - 87
1PC28113CC312TA3	40	1200	RGZVESD	2 - 87
1PC28113CC412TA3	50	1200	RGZVESD	2 - 87
1PC28113CD312TA3	30	900	RGZVESD	2 - 87
1PC28113CD412TA3	40	900	RGZVESD	2 - 87
1PC28114AA412TA3	100	3600	RGZVESD	2 - 87
1PC28114AB412TA3	100	1800	RGZVESD	2 - 87
1PC28114AC312TA3	60	1200	RGZVESD	2 - 87
1PC28114AC412TA3	75	1200	RGZVESD	2 - 87
1PC28114AD312TA3	50	900	RGZVESD	2 - 87
1PC28114AD412TA3	60	900	RGZVESD	2 - 87
1PC28114HB112TA3	125	1800	RGZVESD	2 - 87
1PC28114HB212TA3	150	1800	RGZVESD	2 - 87
1PC28114HB312TA3	200	1800	RGZVESD	2 - 87
1PC28114HB512TA3	250	1800	RGZVESD	2 - 87
1PC28114HC112TA3	100	1200	RGZVESD	2 - 87
1PC28114HC212TA3	125	1200	RGZVESD	2 - 87
1PC28114HC312TA3	150	1200	RGZVESD	2 - 87
1PC28114HC512TA3	200	1200	RGZVESD	2 - 87
1PC28114HC612TA3	250	1200	RGZVESD	2 - 87
1PC28114HD112TA3	75	900	RGZVESD	2 - 87
1PC28114HD212TA3	100	900	RGZVESD	2 - 87
1PC28114HD312TA3	125	900	RGZVESD	2 - 87
1PC28114HD412TA3	150	900	RGZVESD	2 - 87
1PC28114HD612TA3	200	900	RGZVESD	2 - 87
1PC28311DA416TA3	3	3600	RGZVILESD	2 - 90
1PC28311DA516TA3	5	3600	RGZVILESD	2 - 90
1PC28311DB416TA3	3	1800	RGZVILESD	2 - 90
1PC28311DB516TA3	5	1800	RGZVILESD	2 - 90
1PC28312AA516TA3	7.5	3600	RGZVILESD	2 - 90
1PC28312AA616TA3	10	3600	RGZVILESD	2 - 90
1PC28312AB516TA3	7.5	1800	RGZVILESD	2 - 90
1PC28312AB616TA3	10	1800	RGZVILESD	2 - 90
1PC28312AC516TA3	3	1200	RGZVILESD	2 - 90
1PC28312AC616TA3	5	1200	RGZVILESD	2 - 90
1PC28312BA516TA3	15	3600	RGZVILESD	2 - 90
1PC28312BA616TA3	20	3600	RGZVILESD	2 - 90

Part Number	HP	RPM	Type	Page
1PC28312BB516TA3	15	1800	RGZVILESD	2 - 90
1PC28312BB616TA3	20	1800	RGZVILESD	2 - 90
1PC28312BC516TA3	7.5	1200	RGZVILESD	2 - 90
1PC28312BC616TA3	10	1200	RGZVILESD	2 - 90
1PC28312EA112TA3	25	3600	RGZVILESD	2 - 90
1PC28312EA412TA3	30	3600	RGZVILESD	2 - 90
1PC28312EB112TA3	25	1800	RGZVILESD	2 - 90
1PC28312EB412TA3	30	1800	RGZVILESD	2 - 90
1PC28312EC116TA3	15	1200	RGZVILESD	2 - 90
1PC28312EC416TA3	20	1200	RGZVILESD	2 - 90
1PC28313AA512TA3	40	3600	RGZVILESD	2 - 90
1PC28313AA612TA3	50	3600	RGZVILESD	2 - 90
1PC28313AB512TA3	40	1800	RGZVILESD	2 - 90
1PC28313AB612TA3	50	1800	RGZVILESD	2 - 90
1PC28313AC512TA3	25	1200	RGZVILESD	2 - 90
1PC28313AC612TA3	30	1200	RGZVILESD	2 - 90
1PC28313CA512TA3	60	3600	RGZVILESD	2 - 90
1PC28313CA612TA3	75	3600	RGZVILESD	2 - 90
1PC28313CB512TA3	60	1800	RGZVILESD	2 - 90
1PC28313CB612TA3	75	1800	RGZVILESD	2 - 90
1PC28313CC512TA3	40	1200	RGZVILESD	2 - 90
1PC28313CC612TA3	50	1200	RGZVILESD	2 - 90
1PC28314AA612TA3	100	3600	RGZVILESD	2 - 90
1PC28314AB612TA3	100	1800	RGZVILESD	2 - 90
1PC28314AC512TA3	60	1200	RGZVILESD	2 - 90
1PC28314AC612TA3	75	1200	RGZVILESD	2 - 90
1PC28314JB112TA3	125	1800	RGZVILESD	2 - 90
1PC28314JB212TA3	150	1800	RGZVILESD	2 - 90
1PC28314JB312TA3	200	1800	RGZVILESD	2 - 90
1PC28314JB512TA3	250	1800	RGZVILESD	2 - 90
1PC28314JC112TA3	100	1200	RGZVILESD	2 - 90
1PC28314JC212TA3	125	1200	RGZVILESD	2 - 90
1PC28314JC312TA3	150	1200	RGZVILESD	2 - 90
1PC28314JC512TA3	200	1200	RGZVILESD	2 - 90
1PC28314JC612TA3	250	1200	RGZVILESD	2 - 90
1PC28911AA212AG3	1.5	3600	RGZESDI 10:1	2 - 78
1PC28911AA312AG3	2	3600	RGZESDI 10:1	2 - 78
1PC28911AB212AG3	1	1800	RGZESDI 10:1	2 - 78
1PC28911AB312AG3	1.5	1800	RGZESDI 10:1	2 - 78
1PC28911AB412AG3	2	1800	RGZESDI 10:1	2 - 78
1PC28911AC312AG3	1	1200	RGZESDI 10:1	2 - 78
1PC28911CA112AG3	3	3600	RGZESDI 10:1	2 - 78
1PC28911CA312AG3	5	3600	RGZESDI 10:1	2 - 78
1PC28911CB112AG3	3	1800	RGZESDI 10:1	2 - 78
1PC28911CB312AG3	5	1800	RGZESDI 10:1	2 - 78
1PC28911CC112AG3	1.5	1200	RGZESDI 10:1	2 - 78

Part number index

NEMA motors

Part Number	HP	RPM	Type	Page
1PC28911CC312AG3	2	1200	RGZESDI 10:1	2 - 78
1PC28912AA112AG3	7.5	3600	RGZESDI 10:1	2 - 78
1PC28912AA212AG3	10	3600	RGZESDI 10:1	2 - 78
1PC28912AB112AG3	7.5	1800	RGZESDI 10:1	2 - 78
1PC28912AB212AG3	10	1800	RGZESDI 10:1	2 - 78
1PC28912AC112AG3	3	1200	RGZESDI 10:1	2 - 78
1PC28912AC212AG3	5	1200	RGZESDI 10:1	2 - 78
1PC28912BA012AG3	15	3600	RGZESDI 10:1	2 - 78
1PC28912BB012AG3	15	1800	RGZESDI 10:1	2 - 78
1PC28912BC012AG3	7.5	1200	RGZESDI 10:1	2 - 78
1PC28912CB712AG3	20	1800	RGZESDI 10:1	2 - 78
1PC28912CB812AG3	25	1800	RGZESDI 10:1	2 - 78
1PC28912CC712AG3	10	1200	RGZESDI 10:1	2 - 78
1PC28912CC812AG3	15	1200	RGZESDI 10:1	2 - 78
1PC28912DA512AG3	20	3600	RGZESDI 10:1	2 - 78
1PC28912DA612AG3	25	3600	RGZESDI 10:1	2 - 78
1PC28913AB012AG3	40	1800	RGZESDI 10:1	2 - 78
1PC28913AC012AG3	25	1200	RGZESDI 10:1	2 - 78
1PC28913BA512AG3	30	3600	RGZESDI 10:1	2 - 78
1PC28913BA612AG3	40	3600	RGZESDI 10:1	2 - 78
1PC28913BB712AG3	30	1800	RGZESDI 10:1	2 - 78
1PC28913BC712AG3	20	1200	RGZESDI 10:1	2 - 78
1PC28913CB012AG3	60	1800	RGZESDI 10:1	2 - 79
1PC28913CC012AG3	40	1200	RGZESDI 10:1	2 - 78
1PC28913DA512AG3	50	3600	RGZESDI 10:1	2 - 78
1PC28913DA612AG3	60	3600	RGZESDI 10:1	2 - 79
1PC28913DB712AG3	50	1800	RGZESDI 10:1	2 - 78
1PC28913DC712AG3	30	1200	RGZESDI 10:1	2 - 78
1PC28914AC712AG3	50	1200	RGZESDI 10:1	2 - 78
1PC28914BA512AG3	75	3600	RGZESDI 10:1	2 - 79
1PC28914BB612AG3	75	1800	RGZESDI 10:1	2 - 79
1PC28914BC612AG3	60	1200	RGZESDI 10:1	2 - 79
1PC28914GA112AG3	350	3600	RGZESDI 10:1	2 - 79
1PC28914GA212AG3	300	3600	RGZESDI 10:1	2 - 79
1PC28914GB112AG3	300	1800	RGZESDI 10:1	2 - 79
1PC28914GB212AG3	350	1800	RGZESDI 10:1	2 - 79
1PC28914GC212AG3	250	1200	RGZESDI 10:1	2 - 79
1PC28914PA112AG3	100	3600	RGZESDI 10:1	2 - 79
1PC28914PA212AG3	125	3600	RGZESDI 10:1	2 - 79
1PC28914PA312AG3	150	3600	RGZESDI 10:1	2 - 79
1PC28914PA412AG3	200	3600	RGZESDI 10:1	2 - 79
1PC28914PA512AG3	250	3600	RGZESDI 10:1	2 - 79
1PC28914PB112AG3	100	1800	RGZESDI 10:1	2 - 79
1PC28914PB212AG3	125	1800	RGZESDI 10:1	2 - 79
1PC28914PB312AG3	150	1800	RGZESDI 10:1	2 - 79
1PC28914PB412AG3	200	1800	RGZESDI 10:1	2 - 79

Part Number	HP	RPM	Type	Page
1PC28914PB512AG3	250	1800	RGZESDI 10:1	2 - 79
1PC28914PC112AG3	75	1200	RGZESDI 10:1	2 - 79
1PC28914PC212AG3	100	1200	RGZESDI 10:1	2 - 79
1PC28914PC312AG3	125	1200	RGZESDI 10:1	2 - 79
1PC28914PC412AG3	150	1200	RGZESDI 10:1	2 - 79
1PC28914PC512AG3	200	1200	RGZESDI 10:1	2 - 79
1PC29111AB512AG3	1	1800	RGKESDI 1000:1	2 - 82
1PC29111CA612AG3	1.5	3600	RGKESDI 1000:1	2 - 82
1PC29111CA812AG3	2	3600	RGKESDI 1000:1	2 - 82
1PC29111CB512AG3	2	1800	RGKESDI 1000:1	2 - 82
1PC29111CB612AG3	1.5	1800	RGKESDI 1000:1	2 - 82
1PC29111CB712AG3	3	1800	RGKESDI 1000:1	2 - 82
1PC29111CC612AG3	1	1200	RGKESDI 1000:1	2 - 82
1PC29111CC712AG3	1.5	1200	RGKESDI 1000:1	2 - 82
1PC29112AC012AG3	3	1200	RGKESDI 1000:1	2 - 82
1PC29112BB712AG3	7.5	1800	RGKESDI 1000:1	2 - 82
1PC29112BB812AG3	10	1800	RGKESDI 1000:1	2 - 82
1PC29112BC012AG3	7.5	1200	RGKESDI 1000:1	2 - 82
1PC29112KA112AG3	3	3600	RGKESDI 1000:1	2 - 82
1PC29112KA212AG3	5	3600	RGKESDI 1000:1	2 - 82
1PC29112KA312AG3	7.5	3600	RGKESDI 1000:1	2 - 82
1PC29112KA412AG3	10	3600	RGKESDI 1000:1	2 - 82
1PC29112KB512AG3	5	1800	RGKESDI 1000:1	2 - 82
1PC29112KC512AG3	2	1200	RGKESDI 1000:1	2 - 82
1PC29112KC612AG3	5	1200	RGKESDI 1000:1	2 - 82
1PC29212BA112AG3	15	3600	RGZESDI 1000:1	2 - 82
1PC29212BA212AG3	20	3600	RGZESDI 1000:1	2 - 82
1PC29212BB112AG3	15	1800	RGZESDI 1000:1	2 - 82
1PC29212BB212AG3	20	1800	RGZESDI 1000:1	2 - 82
1PC29212BC212AG3	10	1200	RGZESDI 1000:1	2 - 82
1PC29212CB112AG3	25	1800	RGZESDI 1000:1	2 - 82
1PC29212CB212AG3	30	1800	RGZESDI 1000:1	2 - 82
1PC29212CC112AG3	15	1200	RGZESDI 1000:1	2 - 82
1PC29212CC212AG3	20	1200	RGZESDI 1000:1	2 - 82
1PC29212DA112AG3	25	3600	RGZESDI 1000:1	2 - 82
1PC29212DA212AG3	30	3600	RGZESDI 1000:1	2 - 82
1PC29213AB112AG3	40	1800	RGZESDI 1000:1	2 - 82
1PC29213AB212AG3	50	1800	RGZESDI 1000:1	2 - 82
1PC29213AC112AG3	25	1200	RGZESDI 1000:1	2 - 82
1PC29213AC212AG3	30	1200	RGZESDI 1000:1	2 - 82
1PC29213BA112AG3	40	3600	RGZESDI 1000:1	2 - 82
1PC29213BA212AG3	50	3600	RGZESDI 1000:1	2 - 82
1PC29213CB112AG3	60	1800	RGZESDI 1000:1	2 - 83
1PC29213CB212AG3	75	1800	RGZESDI 1000:1	2 - 83
1PC29213CC112AG3	40	1200	RGZESDI 1000:1	2 - 82
1PC29213CC212AG3	50	1200	RGZESDI 1000:1	2 - 82

Part number index

NEMA motors

Part Number	HP	RPM	Type	Page
1PC29213DA112AG3	60	3600	RGZESDI 1000:1	2 - 83
1PC29213DA212AG3	75	3600	RGZESDI 1000:1	2 - 83
1PC29214AB212AG3	100	1800	RGZESDI 1000:1	2 - 83
1PC29214AC112AG3	60	1200	RGZESDI 1000:1	2 - 83
1PC29214AC212AG3	75	1200	RGZESDI 1000:1	2 - 83
1PC29214BA212AG3	100	3600	RGZESDI 1000:1	2 - 83
1PC29214DA112AG3	125	3600	RGZESDI 1000:1	2 - 83
1PC29214DA212AG3	150	3600	RGZESDI 1000:1	2 - 83
1PC29214DA312AG3	200	3600	RGZESDI 1000:1	2 - 83
1PC29214DA512AG3	250	3600	RGZESDI 1000:1	2 - 83
1PC29214DA612AG3	300	3600	RGZESDI 1000:1	2 - 83
1PC29214DB112AG3	125	1800	RGZESDI 1000:1	2 - 83
1PC29214DB212AG3	150	1800	RGZESDI 1000:1	2 - 83
1PC29214DB312AG3	200	1800	RGZESDI 1000:1	2 - 83
1PC29214DB512AG3	250	1800	RGZESDI 1000:1	2 - 83
1PC29214DB612AG3	300	1800	RGZESDI 1000:1	2 - 83
1PC29214DC112AG3	100	1200	RGZESDI 1000:1	2 - 83
1PC29214DC212AG3	125	1200	RGZESDI 1000:1	2 - 83
1PC29214DC312AG3	150	1200	RGZESDI 1000:1	2 - 83
1PC29214DC512AG3	200	1200	RGZESDI 1000:1	2 - 83
1PC29214DC612AG3	250	1200	RGZESDI 1000:1	2 - 83
1PC29214GA112AG3	350	3600	RGZESDI 1000:1	2 - 83
1PC29214GA312AG3	400	3600	RGZESDI 1000:1	2 - 83
1PC29214GB212AG3	350	1800	RGZESDI 1000:1	2 - 83
1PC29214GB312AG3	400	1800	RGZESDI 1000:1	2 - 83
1PC29214GC112AG3	300	1200	RGZESDI 1000:1	2 - 83
1PC29214GC312AG3	350	1200	RGZESDI 1000:1	2 - 83

Notes

Notes

Notes

Siemens Industry, Inc.
Drive Technologies Division
3333 Old Milton Parkway
Alpharetta, GA 30005
1-800-241-4453

info.us@siemens.com

www.usa.siemens.com/motors

Subject to change without prior notice.
Order No: NMPC-00500-0211
All rights reserved.
Printed in USA
©2011 Siemens Industry, Inc.

The information provided in this brochure contains merely general descriptions or characteristics of performance which in case of actual use do not always apply as described or which may change as a result of further development of the products. An obligation to provide the respective characteristics shall only exist if expressly agreed in the terms of contract.

All product designations may be trademarks or product names of Siemens AG or supplier companies whose use by third parties for their own purposes could violate the rights of the owners.